

LS880 / BW17 LEVEL SWITCH

iSOLV

INNOVATIVE SOLUTIONS

analytical

bulk flow

distance

flow

LEVEL

pressure

temperature

industrial
communication

FLOTECH

PROCESS CONTROL & INSTRUMENTATION

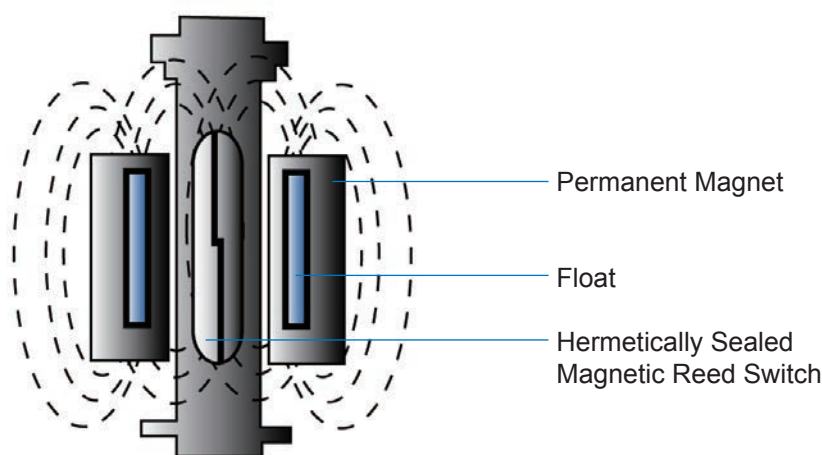


General

iSOLV LS880 - Series Level Switches are simple in design and ruggedly built for long service dependability. It is available in single or multi-station unit, which provides high, low and intermediate point liquid level measurement. The units can be designed and built for precise requirements as per customer’s unique configurations such as the broad choices; mounting connections, float and stem materials and each independent float actuating position.

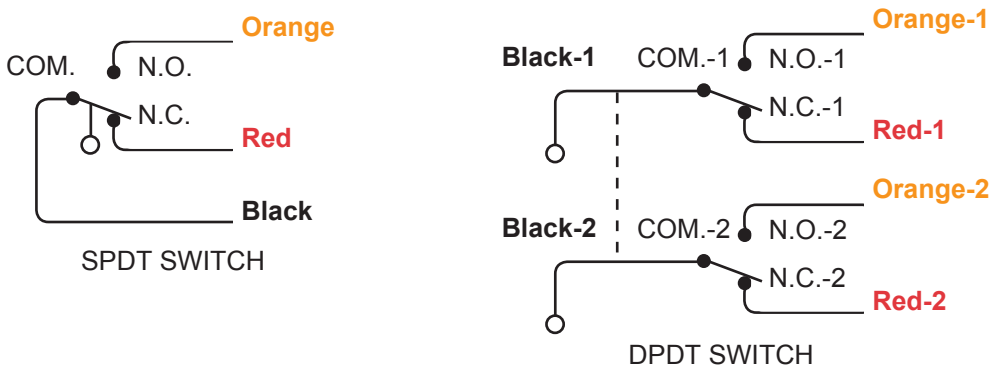
Principle of Operation

The magnetic float moves with the medium level to actuate a hermetically sealed, magnetic reed switch within the stem.



Electrical Connection Per Point

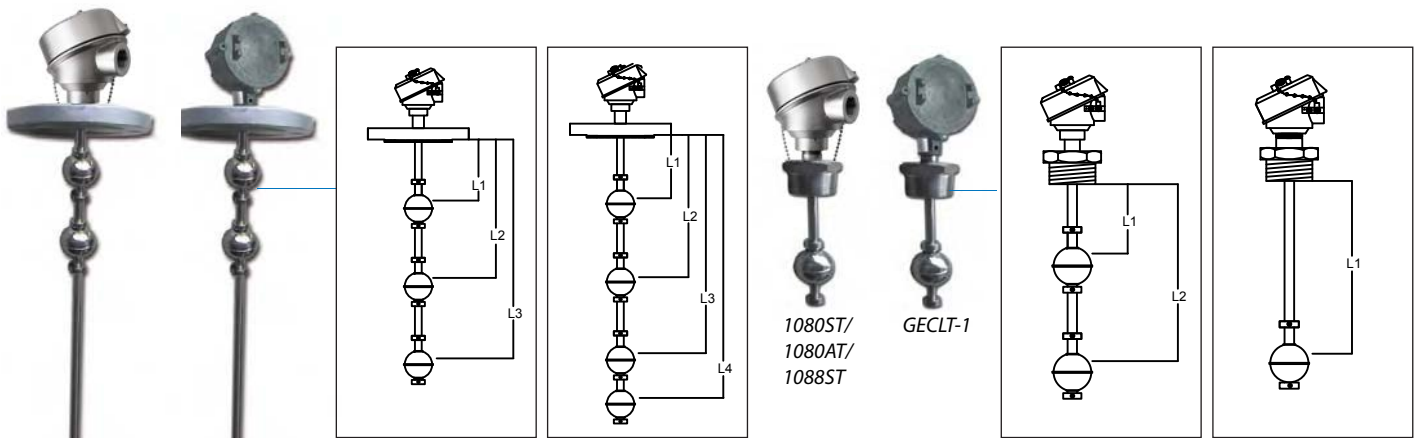
Standard reed switches in iSOLV LS880 series liquid level switches are hermetically sealed, magnetically actuated, make and break type. Switches are SPDT 20 VA rating (DPDT optional).



Switch Rating Max. Resistive Load.....

VA	Volts	Amps AC / DC
60	0-30	2
	120	0.5
	240	0.25

Level Switch LS880- Version 1 (All Stainless Steel Wetted Parts)



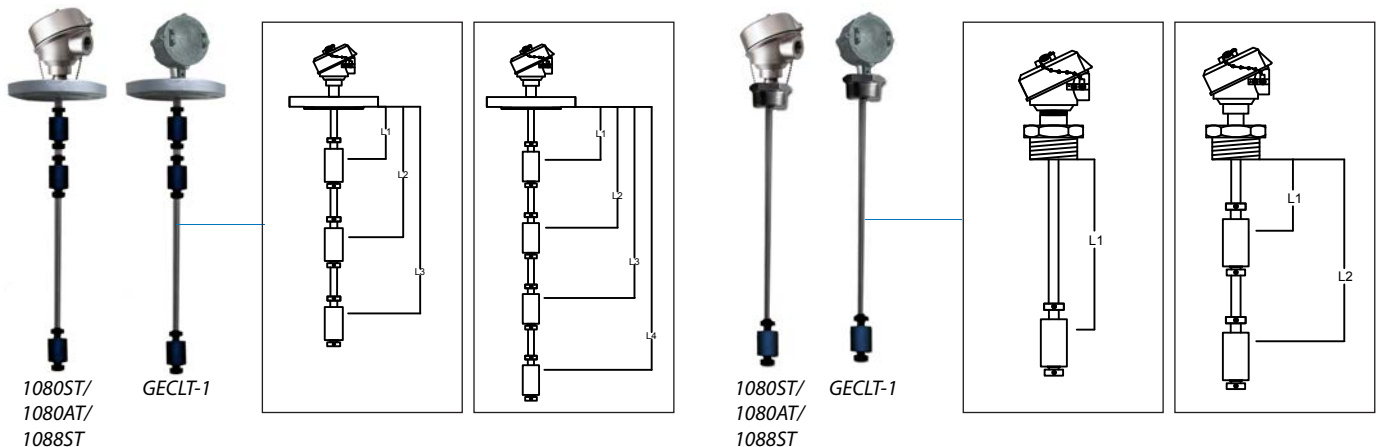
1080ST/
1080AT/
1088ST

GECLT-1

Specifications

Stem and Mounting Material	: Stainless Steel
Float Material	: Stainless Steel
Float Diameter	: 52 mm
Liquid Specific Gravity	: 0.65 (min)
Operating Temperature	: 90°C (Max)
Operating Pressure	: 150psi (Max)
Switch Rating	: SPDT - 60VA (Max) / DPDT (Optional)
Actuation Point	: Up to 4 points

Level Switch LS880- Version 2 (Stainless Steel and Buna-N Wetted Parts)



1080ST/
1080AT/
1088ST

GECLT-1

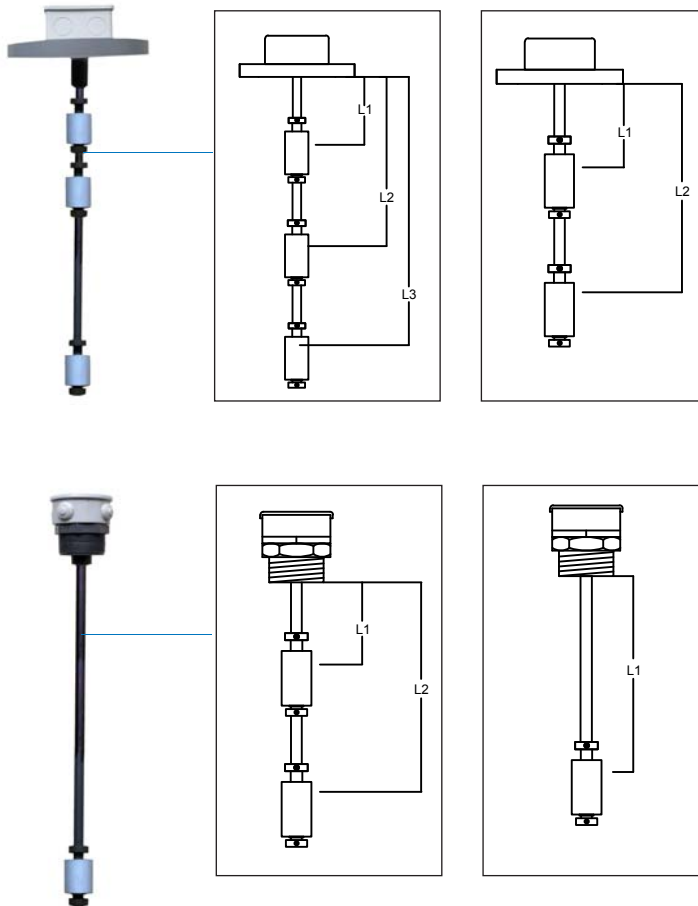
1080ST/
1080AT/
1088ST

GECLT-1

Specifications

Stem and Mounting Material	: Stainless Steel
Float Material	: Buna-N
Float Diameter	: 30.2mm
Liquid Specific Gravity	: 0.61 (min)
Operating Temperature	: 80°C (Max)
Operating Pressure	: 150psi (Max)
Switch Rating	: SPDT - 60VA (Max) / DPDT (Optional)
Actuation Point	: Up to 4 points

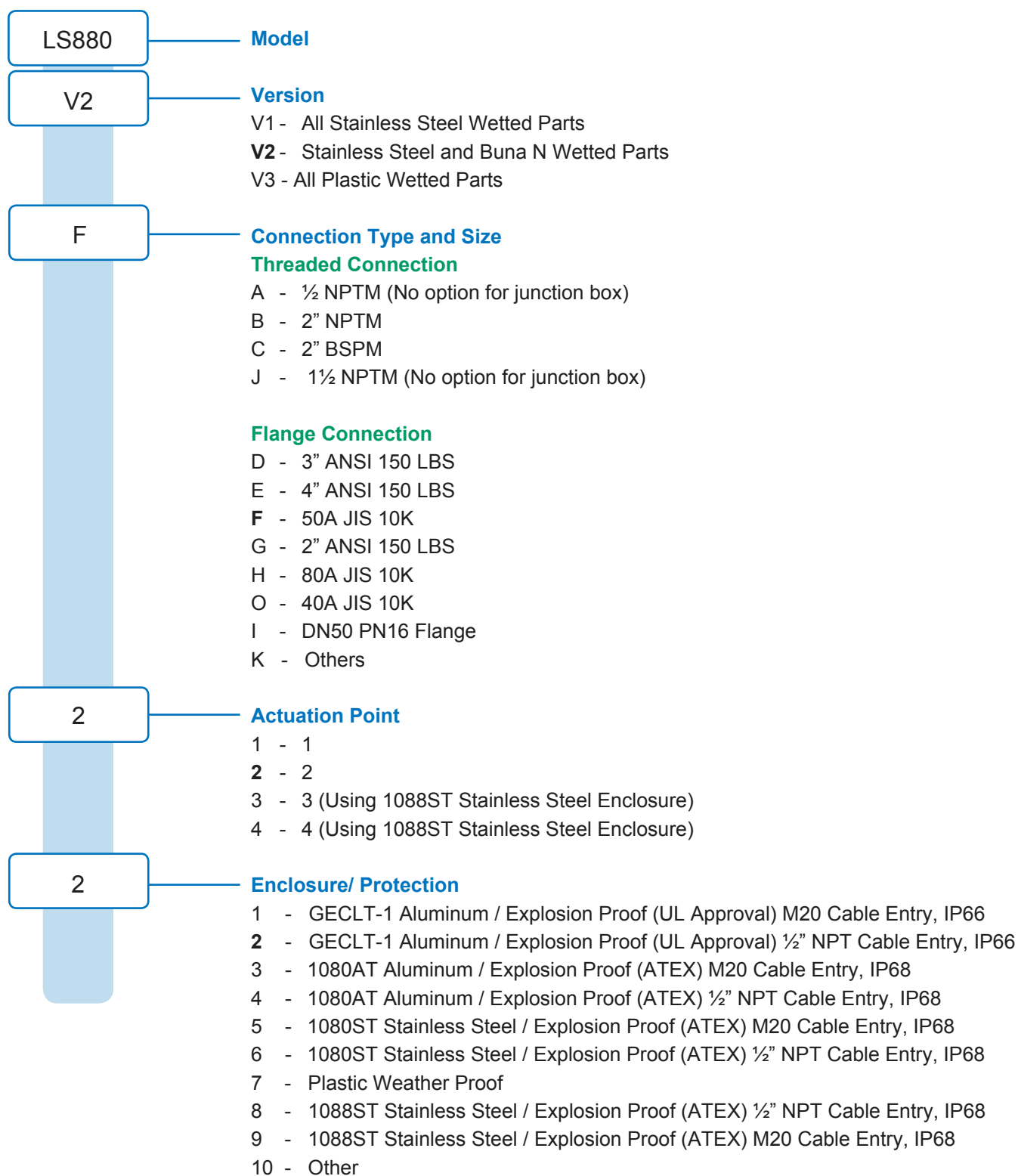
Level Switch LS880- Version 3 (All Plastic Wetted Parts)



Specifications

Stem and Mounting Material	: PVC
Float Material	: PVC
Float Diameter	: 38.1mm
Liquid Specific Gravity	: 0.58 (min)
Operating Temperature	: 50°C (Max)
Operating Pressure	: 15psi (Max)
Switch Rating	: SPDT - 60VA (Max)
Actuation Point	: Up to 3 points

Ordering Information



Ordering code: (Example)



Side Mounted Liquid Level Switch

General

Side mounted liquid level switches are designed for horizontal mounting in a tanks or vessel through flanged pipe connections.

It is specially designed with an external test plunger mechanism.

Principle of Operation

The device operates on a pivoted float with attached magnet follows the liquid level to initiate an electrical signal when it reaches a specific position.

Switching action is obtained by means of a magnetic follower system. These two basic component assemblies are in different compartments separated by a pressure-tight chamber.

Standard Features

- 3"ANSI 150 Lbs
- 80A JIS 10K
- DN80 PN16
- Probe Extension: 150mm , 200mm, 300mm
- Process Temperature: -20°C to 200°C
- Medium Density: 0.5 kg/L (minimum)

Range of applications

The liquid level switch is used in the

- Chemical industry
- Petrochemical industry
- Power station technology
- Water and waste water industry

Options:

Carbon steel and stainless steel flange available upon request.

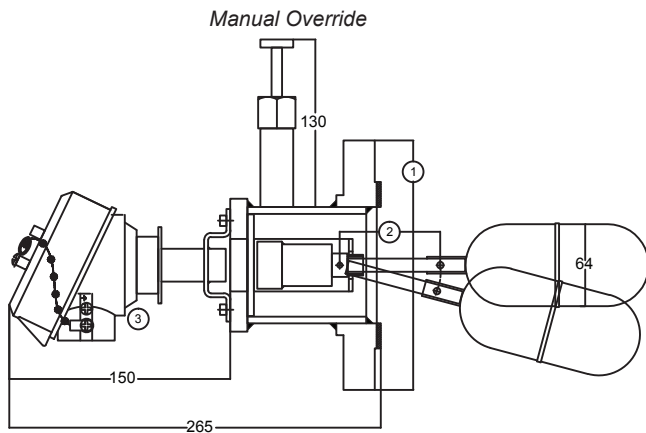
Technical Data - Electrical

Max. switching rating:	12 VA / 220VAC/24 VDC, 1.0A
Ambient temperature:	-20°C to + 60°C
Max.process temperature:	< 200°C
Protection category to:	IP68 Aluminum (Standard) / IP68 SS316 (Option)
Electrical Housing:	Explosion-proof, Wetted-proof (Available in aluminum alloy or stainless steel)

Dimensions

Side Mounted Liquid Level Switch

1080AT / Aluminum or 1080ST / Stainless Steel Flame Proof Housing



II 2 GD
 Exd II C Gb Ta = 40°C to 85°C
 Ex tb III C Db IP68
 Certificate No. Sira 09ATEX1023U



Ordering Information

V1	Model V1 - Stainless Steel Flange V2 - Carbon Steel Flange
D	Flange Connection D - 3" ANSI 150 LBS E - 80A JIS 10K F - DN 80 PN 16
1	Probe Extension 1 - 150 2 - 200 3 - 300
1	Enclosure Protection 1 - 1080AT Aluminum / Explosion Proof (ATEX) M20 Cable Entry, IP68 2 - 1080AT Aluminum / Explosion Proof (ATEX) ½" NPT Cable Entry, IP68 3 - 1080ST Stainless Steel / Explosion Proof (ATEX) M20 Cable Entry, IP68 4 - 1080ST Stainless Steel / Explosion Proof (ATEX) ½" NPT Cable Entry, IP68 5 - Others

Ordering code: (Example)

BW17 V1 D 1 1

FLOTECH

PROCESS CONTROL & INSTRUMENTATION

REGIONAL NETWORK

CHINA

FLOTECH CONTROLS (SHANGHAI) CO., LTD
B-C, Songhu Industrial Zone, No.3
Yanghebang Road, Songjiang High-tech Park,
Shanghai, P.R.C (201615)
Tel: (86) 21 64593908
Fax: (86) 21 64595018
Email: info@flotechshanghai.com

福德控制仪器 (上海) 有限公司
地址: 上海松江高科技园区洋河浜路3号松沪工业小
区B区C栋
邮政编码: 201615
电话: (86) 21 64593908
传真: (86) 21 64595018
电子邮件: info@flotechshanghai.com

INDONESIA

PT FLOTECH CONTROLS INDONESIA
Komplek Rukan Artha Gading Niaga
Blok F/7, Jln. Boulevard Artha Gading
Jakarta 14240, Indonesia
Tel: (62) 21 4585 0778
Fax: (62) 21 4585 0779
Email: salesjkt@flotech.co.id

Branch Office Pekanbaru
Tel : (62) 761 674 839
Fax : (62) 761 678 295

MALAYSIA

M - FLOTECH CONTROLS SDN BHD
No. 20, Jalan TP 7/6
Taman Perindustrian UEP Subang Jaya
40400 Shah Alam
Selangor Darul Ehsan
Malaysia
Tel: (60) 3 5192 5325/6
Fax: (60) 3 5192 5327
Email: sales@mflotech.com.my

SALES AND SERVICE CENTRES

SINGAPORE - HEAD OFFICE FLOTECH CONTROLS PTE LTD

438 Tagore Industrial Avenue
Singapore 787814
Tel: (65) 6553 0366
Fax: (65) 6553 0828
Email: info@flotech.com.sg
Website: www.flotech.com.sg
www.isolv.biz
Reg. No.198204457H



Certificate SG95/04276



Certificate SG13/04547

