

Q

For Power-Take-Off Drive

Self Priming Centrifugal Pump



Models 06D1-GA and 06D1-GAR

Size 6" x 4"

PUMP SPECIFICATIONS

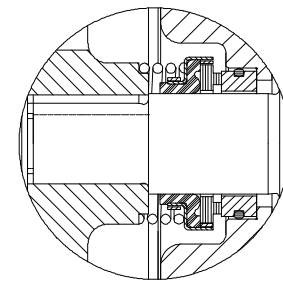
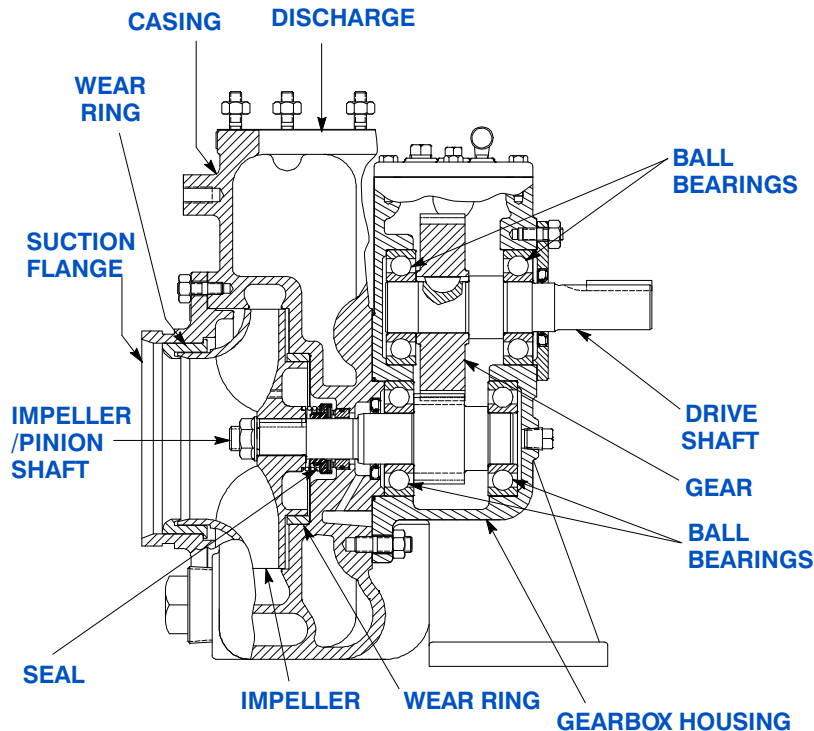
- Size:** 6" (152 mm) Victaulic® Suction.
4" (102 mm) Petroleum Discharge Flange.
- Casing:** Aluminum Alloy 356-T6.
Maximum Operating Pressure 293 psi (2020 kPa).*
- Enclosed Type, Eight Vane Impeller:** Aluminum Alloy 356-T6.
Handles 7/8" (22 mm) Diameter Spherical Solids.
- Impeller/Pinion Shaft:** Alloy Steel 8620.
- Two Replaceable Wear Rings:** Gray Iron 30.
- Suction Head:** Aluminum Alloy 356-T6.
- Gearbox Housing:** Gray Iron 30.
Gearbox Lubrication: SAE 90 Gear Oil.
- Gears:** Steel Alloy 8620.
- Gear Ratio:** 2.18:1 Increaser.
- Bearings:** Open Single Row Ball.
- Gaskets:** Vegetable Fiber and Cork.
- Hardware:** Standard Plated Steel.
- Optional Equipment: (06D1-GA Only)** Copper Alloy C83600
Wear Rings and Impeller.

**Consult Factory for Applications Exceeding Maximum Pressure and/or Temperature Indicated.*

Victaulic is a Registered Trademark of Victaulic Company of America.



MODEL 06D1-GA SHOWN



SEAL DETAIL

Type 2, Mechanical, Self-Lubricated. Carbon Rotating Face. Ni-Resist Stationary Face. Fluorocarbon Elastomers (DuPont Viton® or Equivalent). Stainless Steel 18-8 Cage and Spring. Maximum Temperature of Liquid Pumped, 160°F (71°C).*



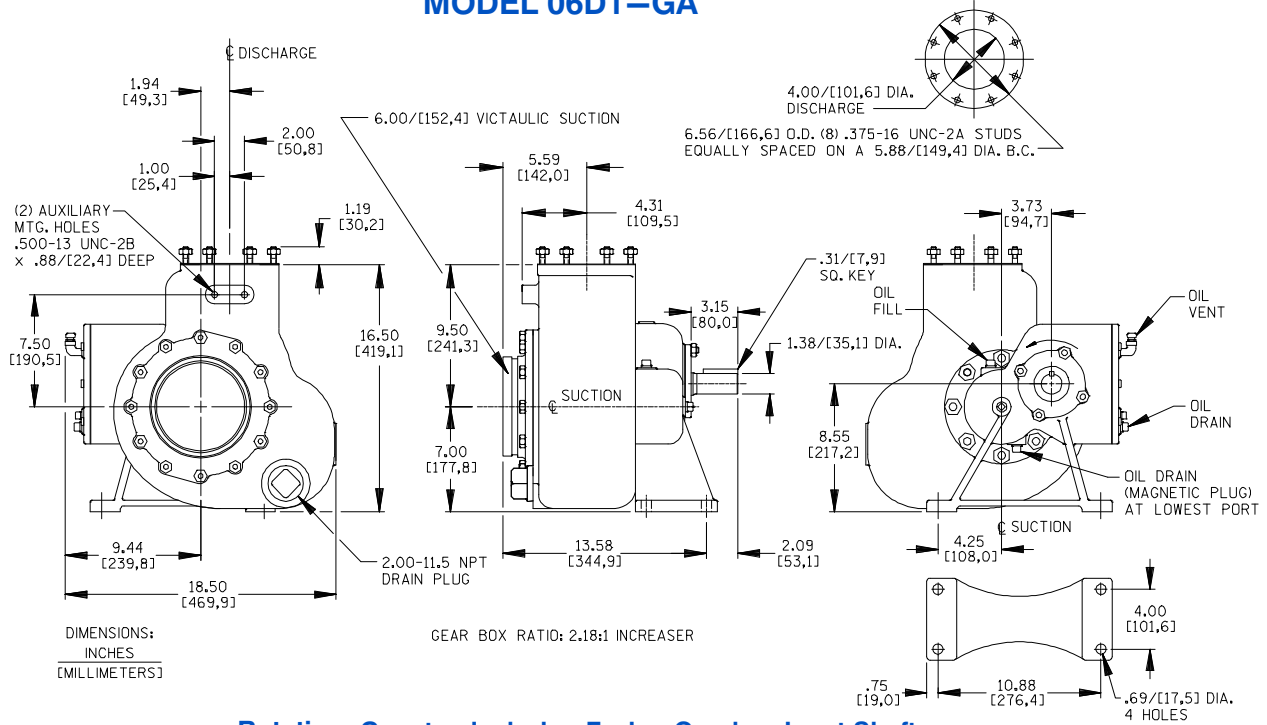
Specification Data

OVERALL DIMENSIONS
and
APPROXIMATE WEIGHTS

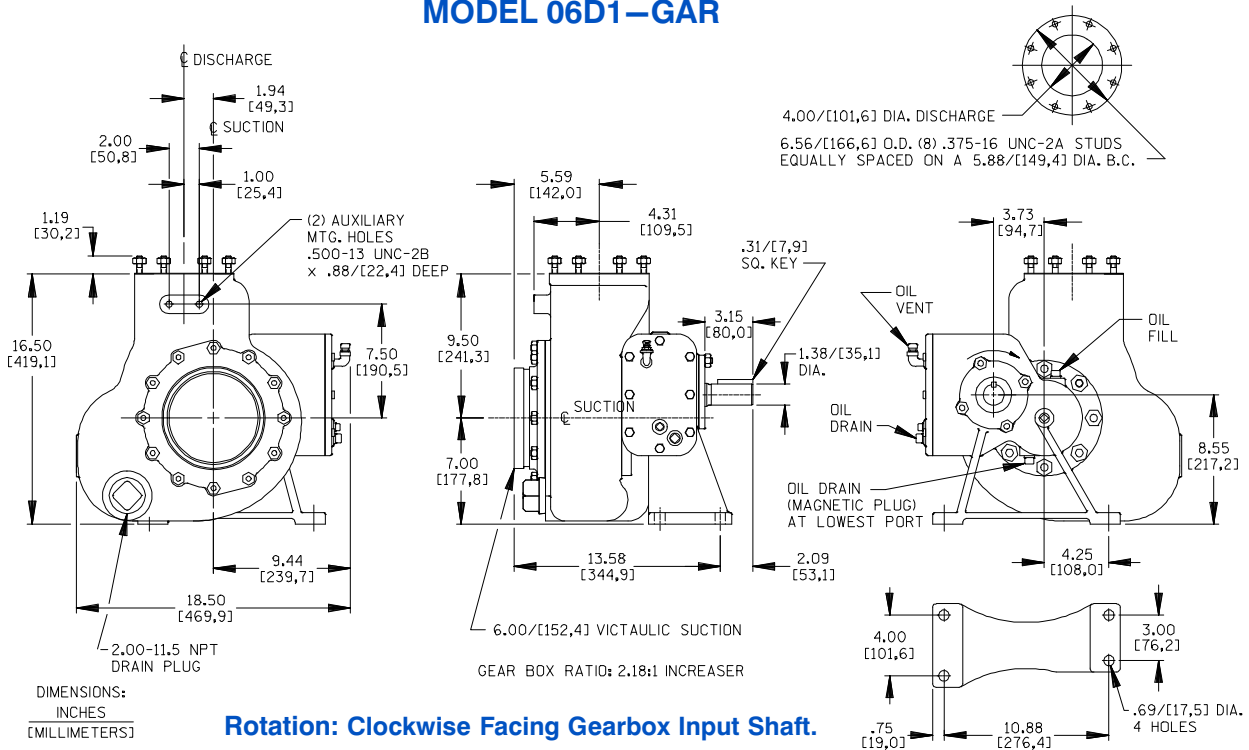
| | | |
|-------------------------|----------------------------------|--------------------------|
| | 06D1-GA | 06D1-GAR |
| NET WEIGHT: | 123 LBS. (56 KG.) | 116 LBS. (53 KG.) |
| SHIPPING WEIGHT: | 133 LBS. (60 KG.) | 126 LBS. (57 KG.) |
| EXPORT CRATE: | 5.3 CU. FT. (0,15 CU. M.) | |

SECTION 110, PAGE 658

MODEL 06D1-GA



MODEL 06D1-GAR



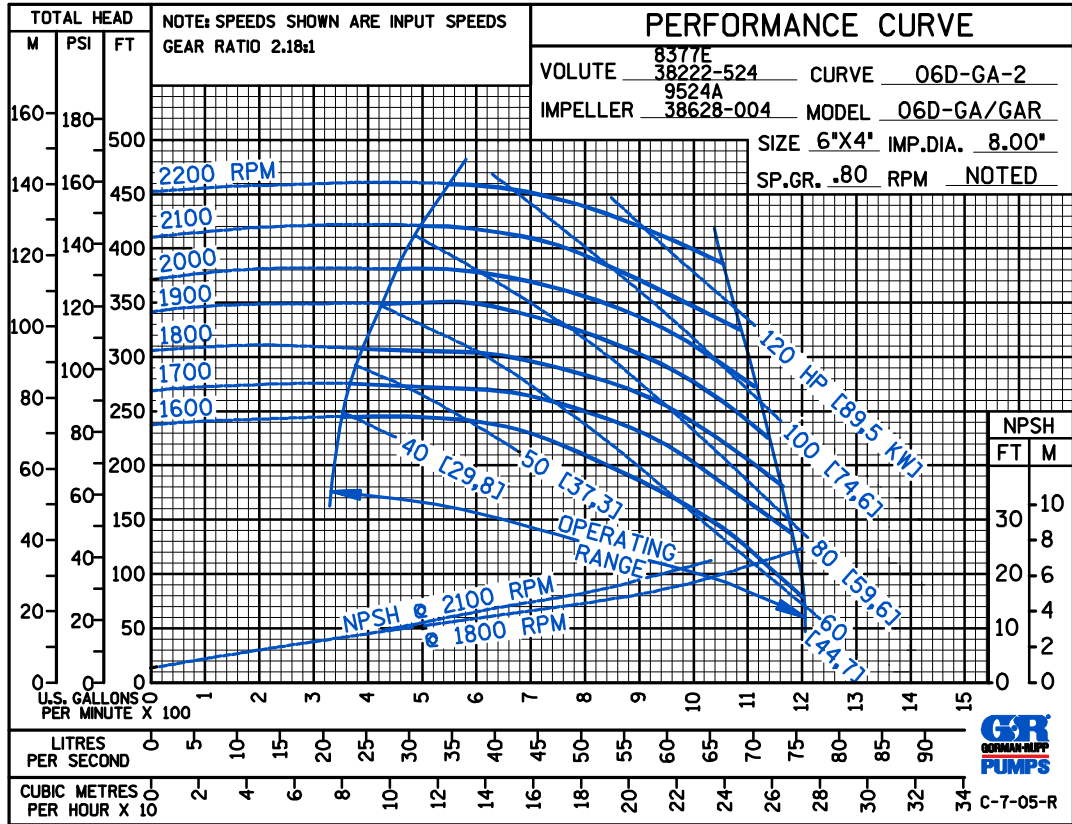
Rotation: Clockwise Facing Gearbox Input Shaft.

Victaulic is a Registered Trademark of Victaulic Company of America.



Q

PERFORMANCE
BASED ON
PETROLEUM



PERFORMANCE
BASED ON
WATER

