

| | | | | | | | |
|--|--|---|--|--|--|-----------------------|----------------------------|
| Cap.Forn./Rules Suppl | | Trattamento Termico / Thermic Treatment | | Trattamento Superficiale / Superficial Treatment | | Prof.(mm) / Depth | |
| - | | - | | - | | - | |
| Quote senza indicazione di tolleranza / Dimensions without tolerance | | | | Materiale / Material | | Durezza / Hardness | |
| GRADO DI PRECISIONE ACCURACY LEVEL | | | | - | | - | |
| Disegnato/Drawing | | Approvato/Approved | | Mod.Tecn./ Revision | | Project | Stato / State |
| Data Date | | 24-09-2012 | | 24-09-2012 | | - | - |
| Firma Signature | | Bondi S. | | Passera F. | | File | Codice Grezzo / Rough Code |
| - | | - | | - | | HHQ00800 | - |
| Particolare / Description | | | | | | Ind. Mod./ Index Rev. | |
| HF704-10.040-SB060-GD-B | | | | | | 0 | |
| HF704-10.040-SB060-GD-B | | | | | | - | |
| Codice / Code | | | | Sostituisce / Replace | | - | |
| HHQ00800 | | | | Sostituito da / Replaced from | | - | |

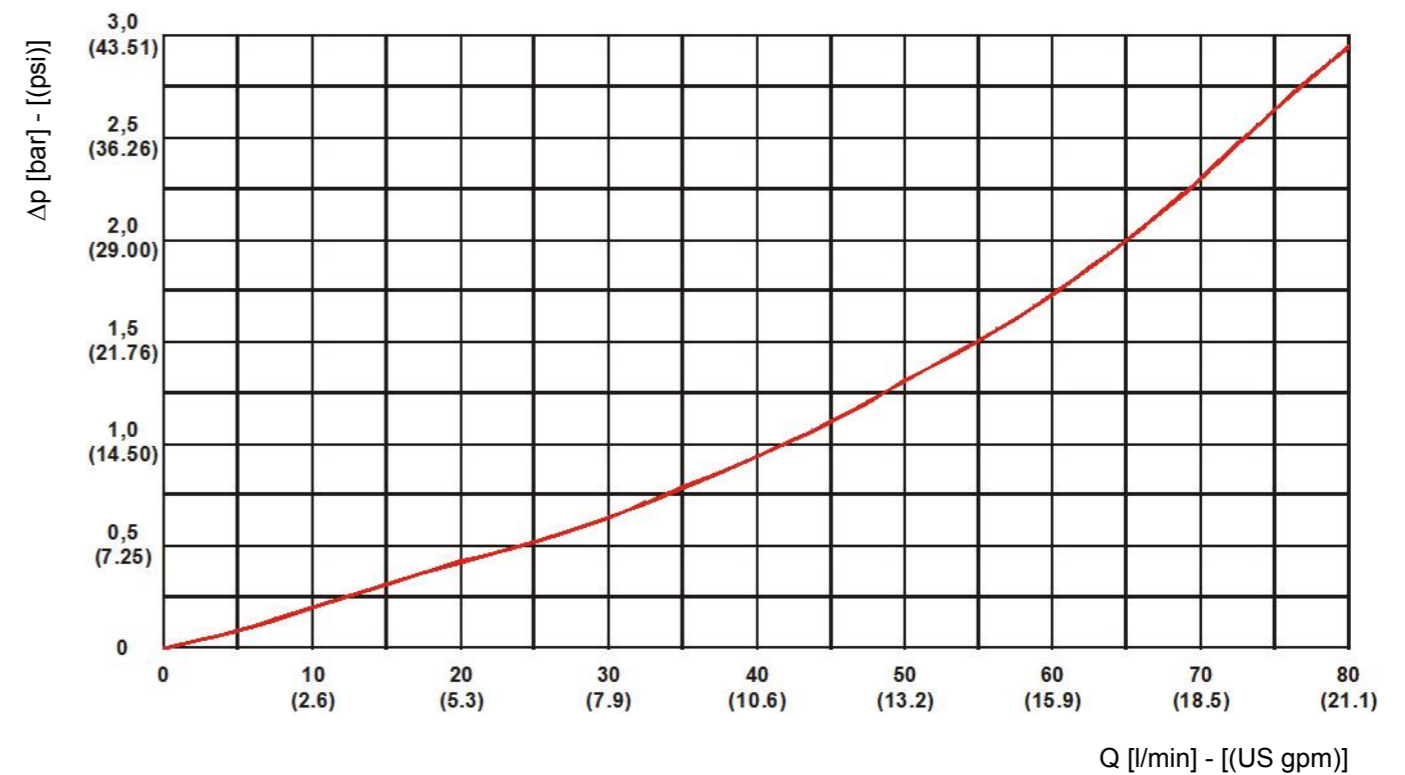


The information hereon is the property of IKRON srl. Without written permission, any copying, transmittal to others and any use except that for which it's loaned, is prohibited.

Technical Data *Dati Tecnici*


| | |
|---|--|
| Degree of Filtration <i>Grado di Filtrazione</i> | Sintered bronze 60µm <i>Bronzo sinterizzato 60µm</i> |
| Flow (Δp = 29 psi - Kinematic Viscosity 120 SSU) <i>Portata (Δp = 2 bar - Viscosità Cinematica 30 cSt)</i> | 17.2 US gpm <i>65 l/min</i> |
| Working Pressure <i>Pressione di Lavoro</i> | 4061 psi <i>280 bar</i> |
| Testing Pressure <i>Pressione di Prova</i> | 6019 psi <i>415 bar</i> |
| Burst Pressure <i>Pressione di Scoppio</i> | 7542 psi <i>520 bar</i> |
| Element Collapse Pressure Rating (ISO 2941) <i>Pressione di Collasso del Setto Filtrante (ISO 2941)</i> | 1160 psi <i>80 bar</i> |
| Operating Temperature <i>Temperatura di Esercizio</i> | -22°F / +195°F <i>-30°C / +90°C</i> |
| Fluid Compatibility (ISO 2943) <i>Compatibilità con i Fluidi (ISO 2943)</i> | Oil Mineral: HG-HH-HL-HM-HR-HV Water Emulsion: HFAE-HFAS Water Glycol: HFC <i>Oli Minerali: HG-HH-HL-HM-HR-HV Emulsioni Acquose: HFAE-HFAS Acqua Glicole: HFC</i> |

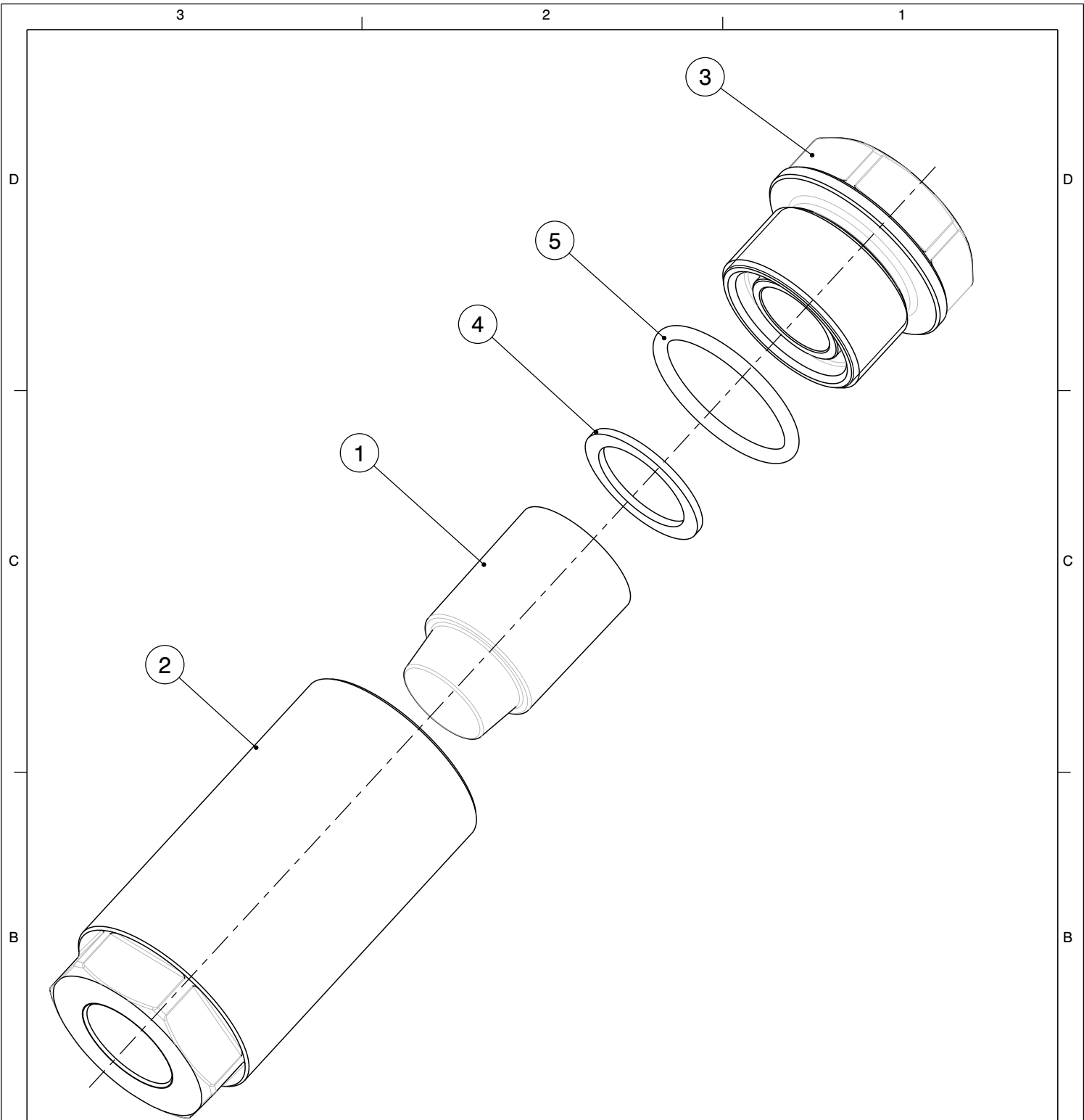
Pressure Drop Curve *Diagramma Caduta Di Pressione*




The following curve has been determined on the basis of standard use with mineral oil fluids ISO VG46 at V 30 cSt (30 mm²/sec) viscosity and flux density at 0,856 Kg/dm³.

I valori dei diagrammi sono riferiti ad olio minerale tipo ISO VG46 avente viscosità cinematica di 30 mm²/sec (cSt) e densità di 0,856 Kg/dm³.

| | | | |
|---|---|--|--------------------------------------|
| Cap.Forn./Rules Suppl. - | Trattamento Termico / Thermic Treatment - | Trattamento Superficiale / Superficial Treatment - | Prof.(mm) / Depth - |
| Quote senza indicazione di tolleranza / Dimensions without tolerance GRADO DI PRECISIONE ACCURACY LEVEL - | | Materiale / Material - | Durezza / Hardness - |
| Data Date 24-09-2012 | Disegnato/Drawing 24-09-2012 | Approvato/Approved 24-09-2012 | Mod.Tecn./ Revision - |
| Firma Signature Bondi S. | Passera F. | Project - | Stato / State - |
| - | | File HHQ00800 | Codice Grezzo / Rough Code - |
|  <p>The information hereon is the property of IKRON srl. Without written permission, any copying, trasmittal to others and any use except that for which it's loaned, is prohibited.</p> | | Particolare / Description HF704-10.040-SB060-GD-B HF704-10.040-SB060-GD-B | |
| - | | Codice / Code HHQ00800 | Ind. Mod./ Index Rev. 0 |
| - | | Sostituisce / Replace - | - |
| - | | Sostituito da / Replaced from - | - |



| | | | | | | | | | |
|--|--|---|--|--|--|---------------------------|----------------------------|-------------------------|--|
| Cap.Forn./Rules Suppl. | | Trattamento Termico / Thermic Treatment | | Trattamento Superficiale / Superficial Treatment | | Prof.(mm) / Depht | | | |
| - | | - | | - | | - | | | |
| Quote senza indicazione di tolleranza / Dimensions without tolerance | | | | Materiale / Material | | Durezza / Hardness | | | |
| GRADO DI PRECISIONE ACCURACY LEVEL | | | | - | | - | | | |
| Disegnato/Drawing | | Approvato/Approved | | Mod.Tecn./ Revision | | Project | Stato / State | | |
| Data Date | | 24-09-2012 | | 24-09-2012 | | - | - | | |
| Firma Signature | | Bondi S. | | Passera F. | | File | Codice Grezzo / Rough Code | | |
| | | | | - | | HHQ00800 | - | | |
|  <p>The information hereon is the property of IKRON srl. Without written permission, any copying, trasmittal to others and any use except that for which it's loaned, is prohibited.</p> | | | | | | Particolare / Description | | Ind. Mod./ Index Rev. | |
| | | | | | | HF704-10.040-SB060-GD-B | | HF704-10.040-SB060-GD-B | |
| Codice / Code | | | | Sostituisce / Replace | | - | | | |
| HHQ00800 | | | | Sostituito da / Replaced from | | | | | |

3

2

1

D

D

C

C

B

B

A

A

| 5 | HSO08235 | | 1 | ANELLO TOROIDALE OR 3106 90UGRA SHA (28,25X2,62) O-RING SEAL OR 3106 90GRA SH.A (28.25X2.62) | 0 |
|------|----------------|-----|--------------|---|-----------------------------------|
| 4 | HSG02065 | | 1 | GUARNIZIONE HF705-10 GASKET HF705-10 | 0 |
| 3 | HHT51070 | | 1 | TAPPO DI CHIUSURA FILTRO HF704 G1/2 FILTER CAP HF704 G1/2 | 0 |
| 2 | HHC51070 | | 1 | CORPO FILTRO HF704 G1/2 FILTER BODY HF704 G1/2 | 0 |
| 1 | HHC03053 | | 1 | HEK80-10.040-SB060 - | 1 |
| Pos. | Codice Code | Kit | Q.tà Q.ty | Descrizione Description | Indice modifica Index revision |

PAGE 4 OF 4

| | | | | | | | |
|---|--|--|--|---|--|--------------------------|--|
| Cap.Forn./Rules Suppl | | Trattamento Termico / Thermic Treatment | | Trattamento Superficiale / Superficial Treatment | | Prof.(mm) / Depht | |
| - | | - | | - | | - | |
| Quote senza indicazione di tolleranza / GRADO DI PRECISIONE ACCURACY LEVEL | | | | Materiale / Material | | Durezza / Hardness | |
| - | | | | - | | - | |
| Disegnato/Drawing | | Approvato/Approved | | Mod.Tecn./ Revision | | Project | |
| Data Date | | 24-09-2012 | | 24-09-2012 | | Stato / State | |
| Firma Signature | | Bondi S. | | Passera F. | | Scale 1:1 | |
| | | | | File HHQ00800 | | Format A4 | |
| | | | | Codice Grezzo / Rough Code | | | |
| <p>The information hereon is the property of IKRON srl. Without written permission, any copying, trasmittal to others and any use except that for which it's loaned, is prohibited.</p> | | | | Particolare / Description | | Ind. Mod./ Index Rev. | |
| | | | | HF704-10.040-SB060-GD-B HF704-10.040-SB060-GD-B | | 0 | |
| Codice / Code | | | | Sostituisce / Replace | | - | |
| HHQ00800 | | | | Sostituito da / Replaced from | | | |

3

2

1