

Data sheet:

DC Switch-Disconnecter S5-06304PR00U For PV Inverters & Grid-Connected Systems



Standards: IEC, UL, CSA

Quality

ISO 9001 & 14001



Approvals



Electrical data (according to IEC 60947-3)

Thermal current I_{th} (40 °C)	630A	
Rated insulation voltage U _i (V)	1000	
Rated impulse withstand voltage U _{imp} (kV)	12	
Torque	212lbf.in 24Nm	
DC Rated operational current I_e (A)	Voltage (DC)	I_e⁽¹⁾
Standards IEC60947-3	600V DC21B	630A
	800V DC21B	600A
	1000V DC21B	400A
UL98B	1000V DC	400A

(1) Please consult for other voltages and/or category of operations.

Short-circuit behaviour

Short-circuit making capacity (peak value) ⁽²⁾	I _{cm}	26kA
Short-time withstand current (1 sec) (rms)	I _{cw}	16kA

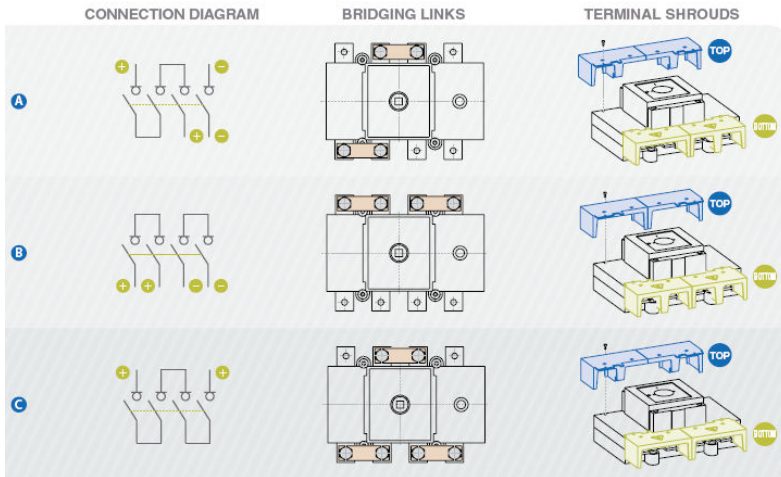
(2) Without limiting protective device (short-circuit maintained 50...100ms)

Connection capacity

Bar (Thickness / Width) (mm)	2x5/40
Rigid cable (mm ²)	2x240
Tightening torque (N•m)	24

Mechanical data

Minimum number of operations (as per standard) without load	10000
Maximum weight (4 pole molded case) (kg)	4,5



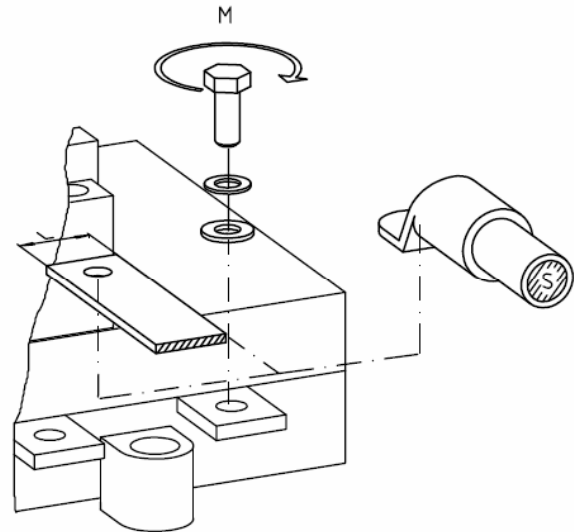
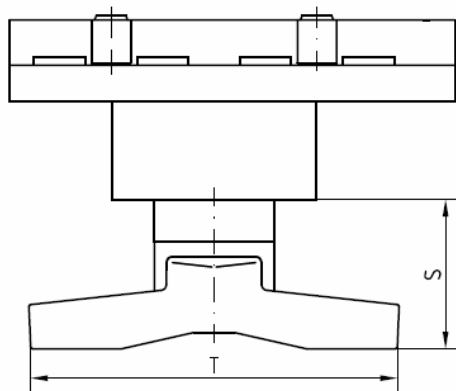
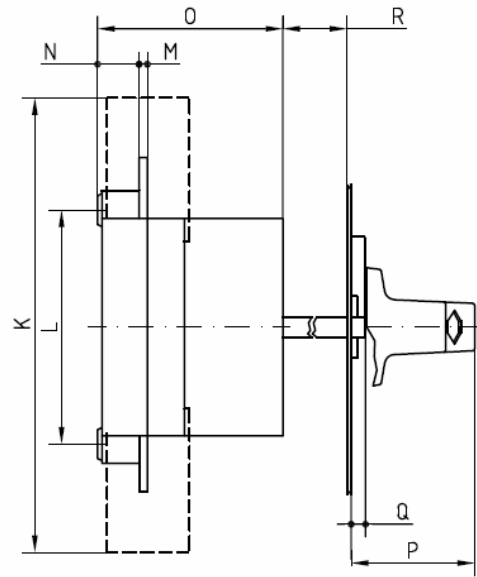
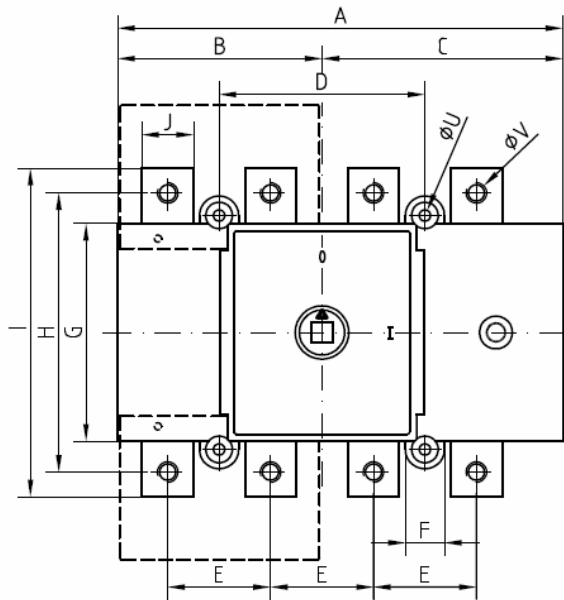
Accessories

Handles	Bridging links	Shrouds			
DS-EI21 (direct)	DS-PI220U (2 units)		DS-CU280U	DS-CU200U	DS-CU280U
DS-EN21 (panel)	DS-PI230U (3 units)		DS-CU290U	DS-CU21	DS-CU290U
			Diagram A	Diagram B	Diagram C

You will find detailed information about our products on our web site www.telergon.es

	DC Switch-Disconnecter S5-06304PR00U	<small>TELERGON, S.A.U. Data subject to change without notice (printed: 25/01/2012)</small>
--	---	---

Dimensions



Switch Reference Référence Interrupteur	Accessories Reference Référence Accessoires
S5-2504PR00U	Handle Poignée DS-EI11 DS-EN11
	Shrouds Cache-bornes DS-CU100U DS-CU180U DS-CU190U DS-CU11
	Bridging links Ponts de connexion DS-PI120U DS-PI130U
A switch must be completed with its corresponding hardware, depending on the type of handle and wiring diagram: Switch + Handle + Shrouds + Bridging links	
Un interrupteur doit être complet avec les accessoires correspondant, selon le type de poignée et le schéma de câblage: Interrupteur + Poignée + Cache-bornes + Ponts de connexion	

630A

A	B	C	D	E	F	G	H	I	J	K	M	S max (Cu)	H max (Cu)		L max (Cu)		
mm. in.	mm. in.	mm. in.	mm. in.	mm. in.	mm. in.	mm. in.	mm. in.	mm. in.	mm. in.	mm. in.			mm ² in ²	mm in	mm in	mm in	mm in
275 10.8	130 5.12	145 5.71	140 5.51	65 2.56	25 0.98	160 6.3	205 8.07	235 9.25	30 1.18	290 11.4	M10	2x240	2x0.37	2x5	2x0.2	40	1.57
L	M	N	O	P	Q	R min.	R max.	S	T	U							
190 7.48	5 0.2	30 1.18	121 4.76	60 2.36	7 0.28	18 0.71	119 4.69	73.5 2.89	24.5 9.65	6.5 0.26							

You will find detailed information about our products on our web site www.telergon.es



DC Switch-Disconnecter
S5-06304PR00U

TELERGON, S.A.U.
Data subject to change without
notice (printed: 25/01/2012)