

Ind. b - Revision : 03-2010

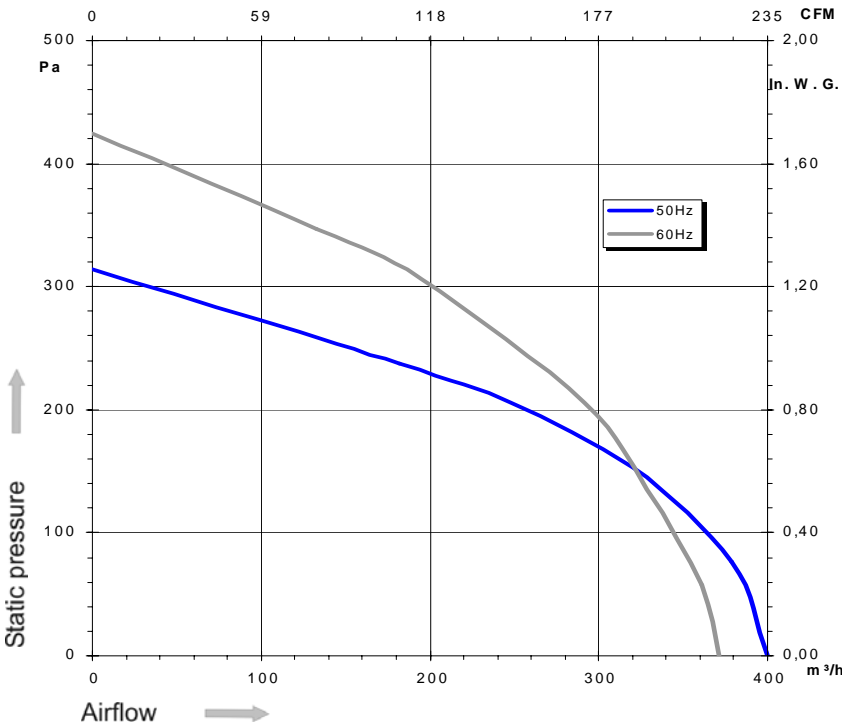
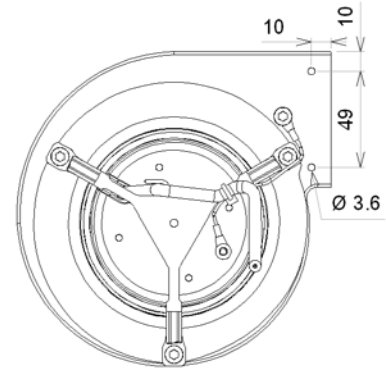
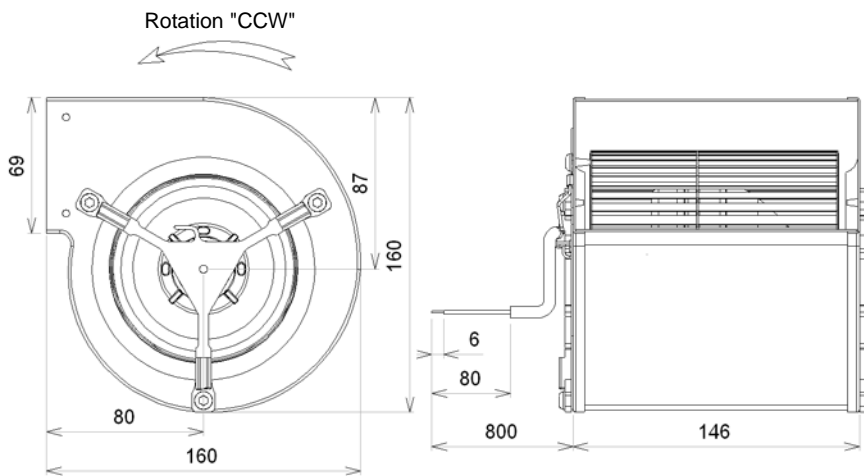
2GDS15 120x126L

P/N Y43-05

Substitute for Q07-27



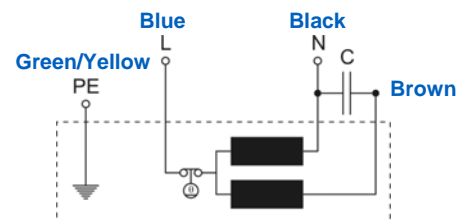
Voltage	Frequency	Input power	Current	Capacitor	Airflow	Speed rotation	Noise level	Rotation direction	Operating temperature
V	Hz	Wa	A	µF	m³/h	RPM	dBA	↻	Min / Max
230	50	100	0,47	2,5	400	1 640	58	L	-20°C / +70°C
230	60	110	0,53	2,5	370	1 590	57	L	-20°C / +70°C
230	50				235 CFM				-4°F / +158°F
230	60				217 CFM				-4°F / +158°F



- Weight : 2,3 Kg
- Ball bearing
- Class F, thermally protected
- IP44 protection
- G2.5 balancing
- Scroll housing : black paint
- Galvanized steel impeller



Capacitor for 50Hz: 19011
 Capacitor for 60Hz: 19011
 Finger guard: 21237



Non contractual document. All specifications are subject to change without prior notice. Picture for information only.