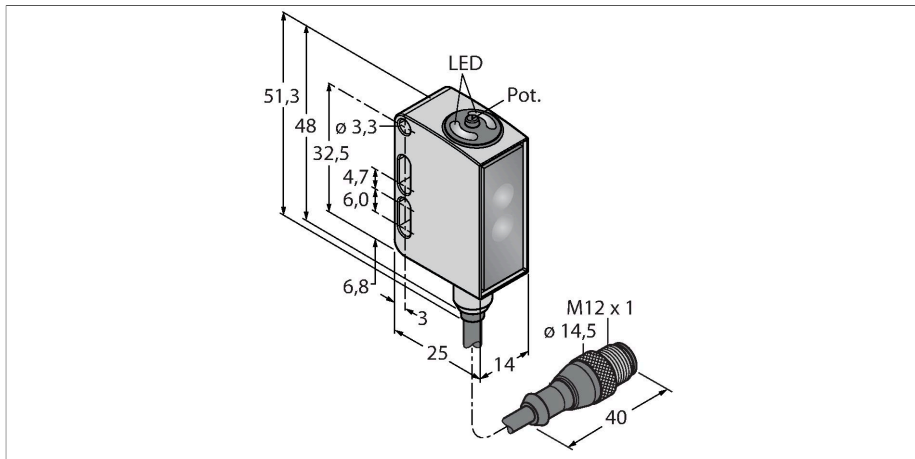


QM26EPXLPCQ5

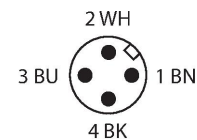
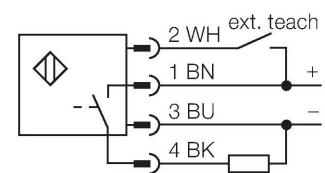
Photoelectric Sensor – Retroreflective Sensor with Polarizing Filter



Features

- Range: 5 mm - 800 mm
- Range: 5 mm - 800 mm
- Range: 5 mm - 800 mm

Wiring diagram



Technical data

Type	QM26EPXLPCQ5
ID	3028727
Optical data	
Function	Retroreflective Sensor
Operating mode	Polarized (coaxial)
Reflector included in delivery	no
Light type	Red polarized
Wavelength	620 nm
Range	5...2600 mm
Electrical data	
Operating voltage	10...30 VDC
Residual ripple	< 10 % U _{ss}
No-load current	≤ 20 mA
Short-circuit protection	yes
Reverse polarity protection	yes
Output function	NO contact, dark operation, PNP
Current output	100 mA
Switching frequency	2 kHz
Readiness delay	≤ 300 ms
Response time typical	< 0.5 ms
Setting option	Push Button Remote Teach
Mechanical data	
Design	Rectangular, QM26
Dimensions	15.3 x 14 x 32.6 mm
Housing material	Metal, Stainless steel, Grey

Technical data

Lens	acrylic, PMMA
Electrical connection	Cable with connector, M12 × 1, 0.15 m, PVC
Number of cores	4
Ambient temperature	-30...+70 °C
Protection class	IP69
Special features	Chemical-resistant Clear object detection Wash down Resistant to chemicals
Power-on indication	LED, Green
Switching state	LED, Yellow
Excess gain indication	LED, yellow, flashing
Tests/approvals	
Approvals	CE, cULus listed, ECOLAB

Accessories

SMBLSTDLQ26	3018180	SMBLSTQ26	3019506
	Mounting bracket, stainless steel, rectangular, for Q26		Mounting bracket, stainless steel, for Q26

Accessories

Dimension drawing	Type	ID	
	RKC4.4T-2/TEL	6625013	Connection cable, female M12, straight, 4-pin, cable length: 2 m, sheath material: PVC, black; cULus approval; other cable lengths and qualities available, see www.turck.com
	WKC4.4T-2/TEL	6625025	Connection cable, female M12, angled, 4-pin, cable length: 2 m, sheath material: PVC, black; cULus approval; other cable lengths and qualities available, see www.turck.com