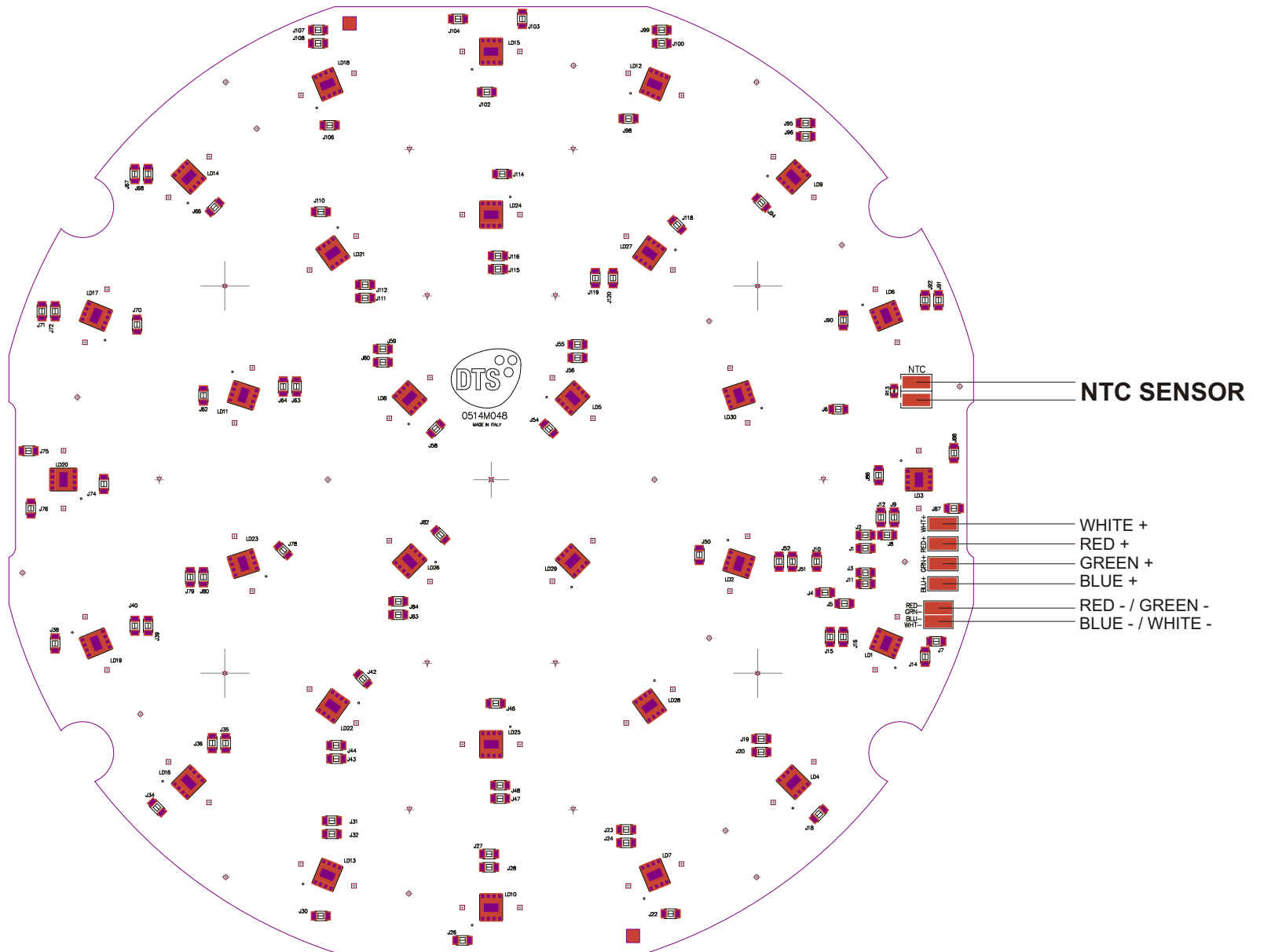


NICK NRG 1201 Schematics

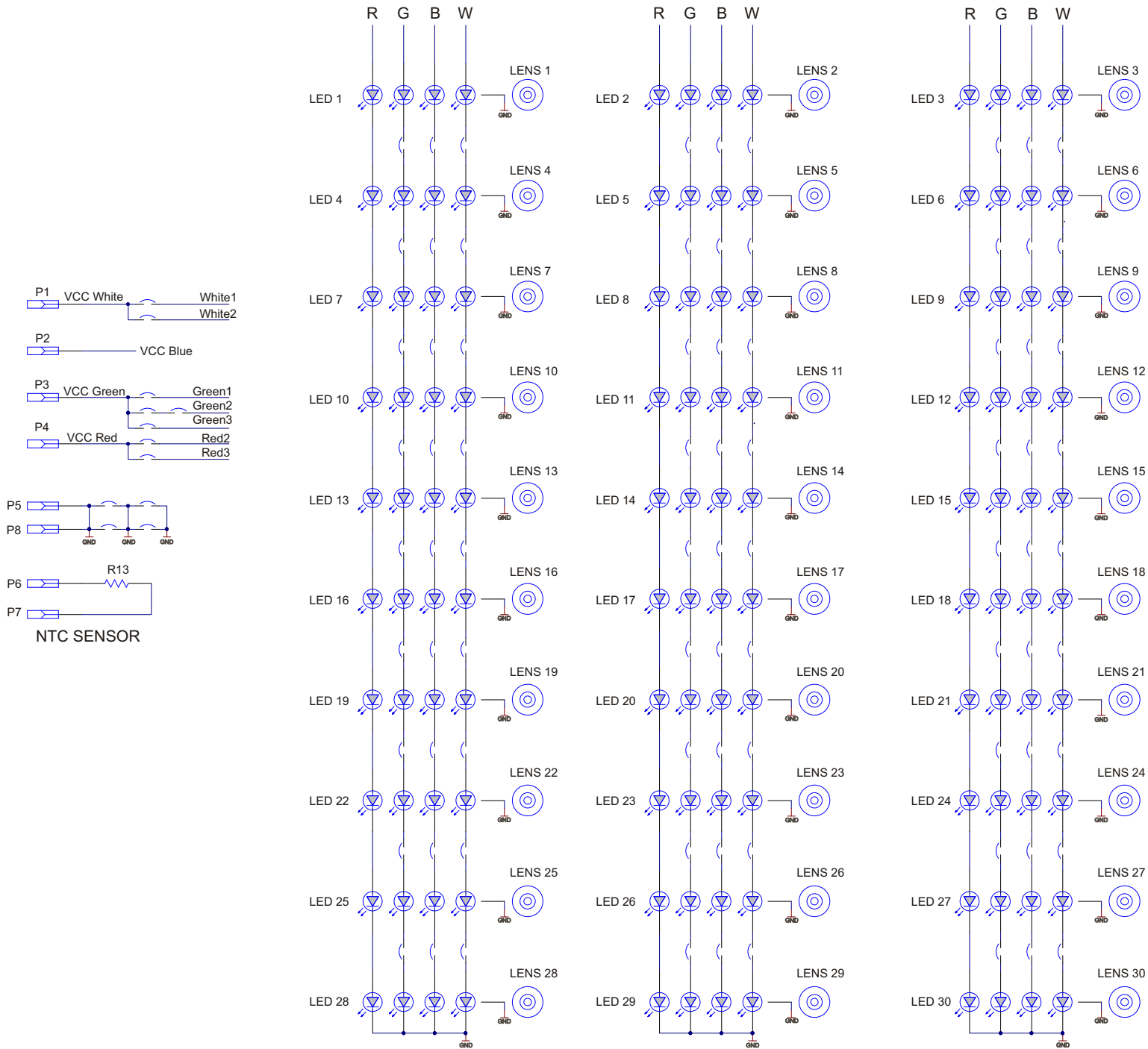


Release 1.2
03-09-2019

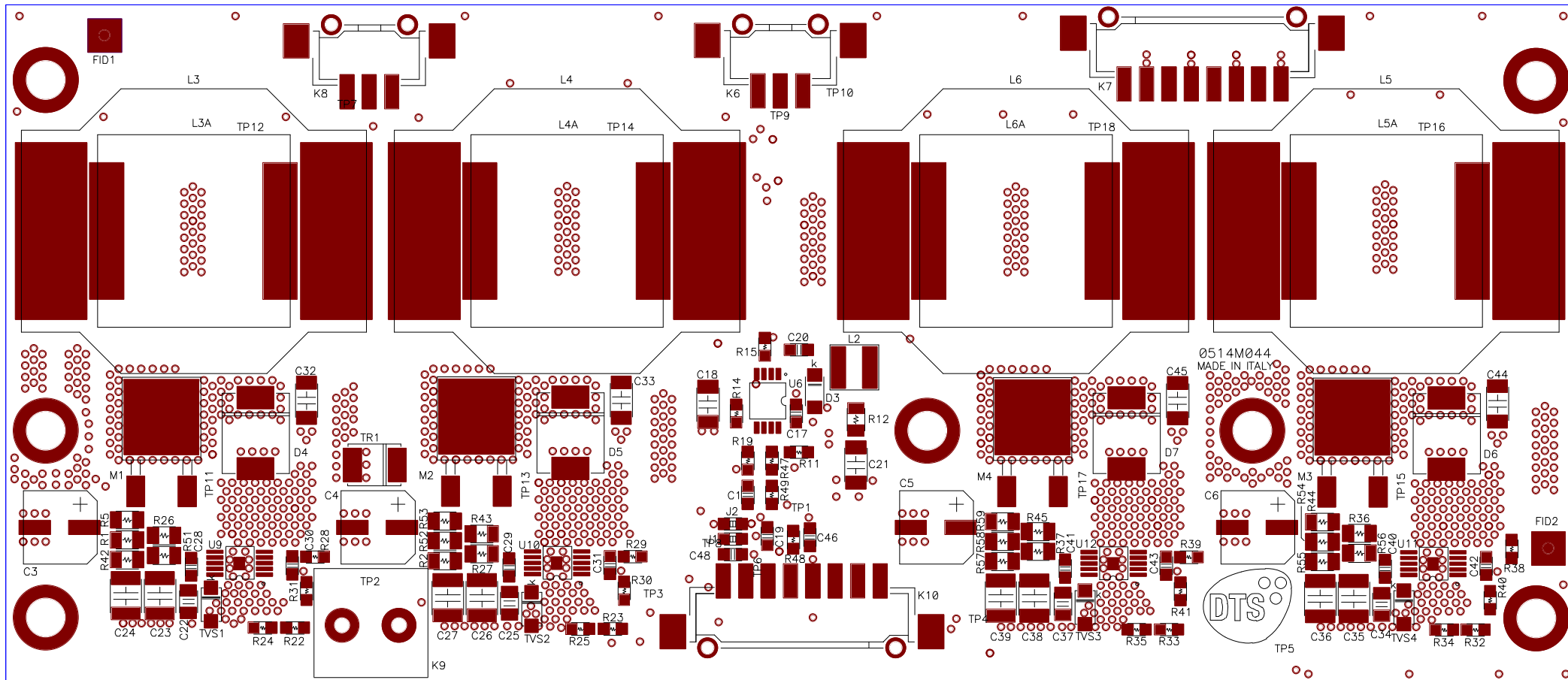
LED PANEL CABLE CONNECTION



LED PANEL SCHEMATICS

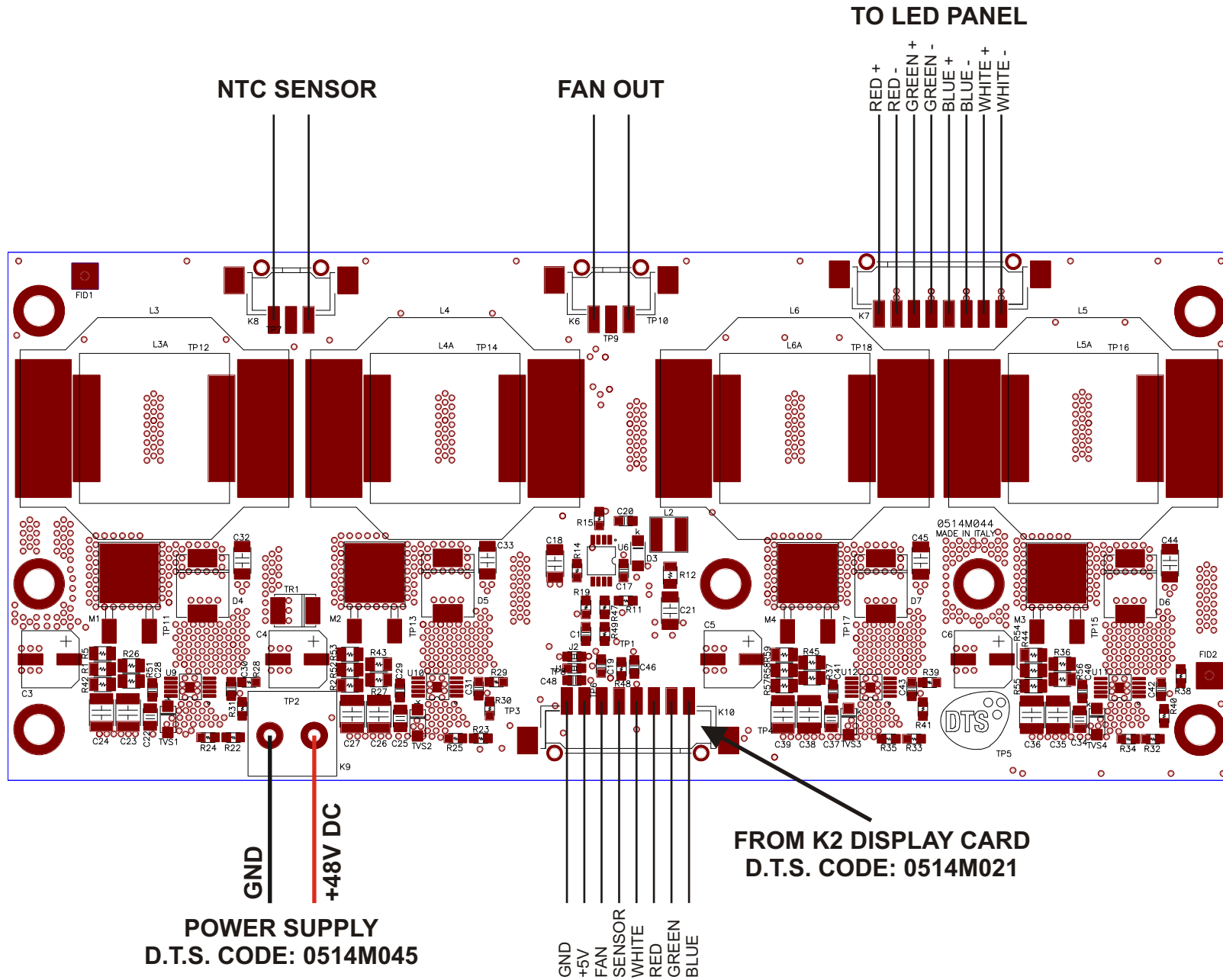


LED DRIVER BOARD LAYOUT

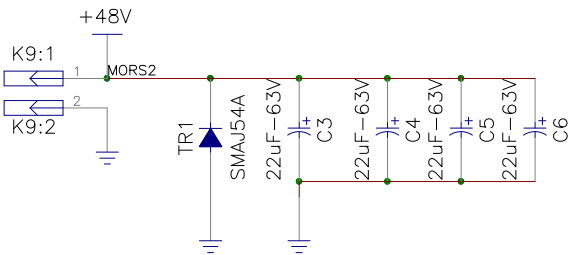
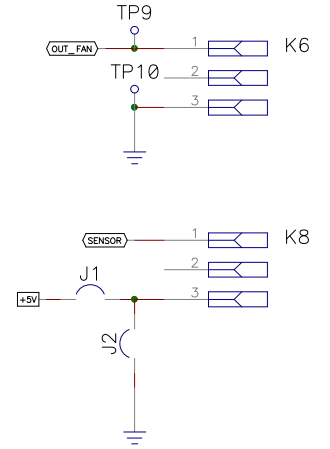
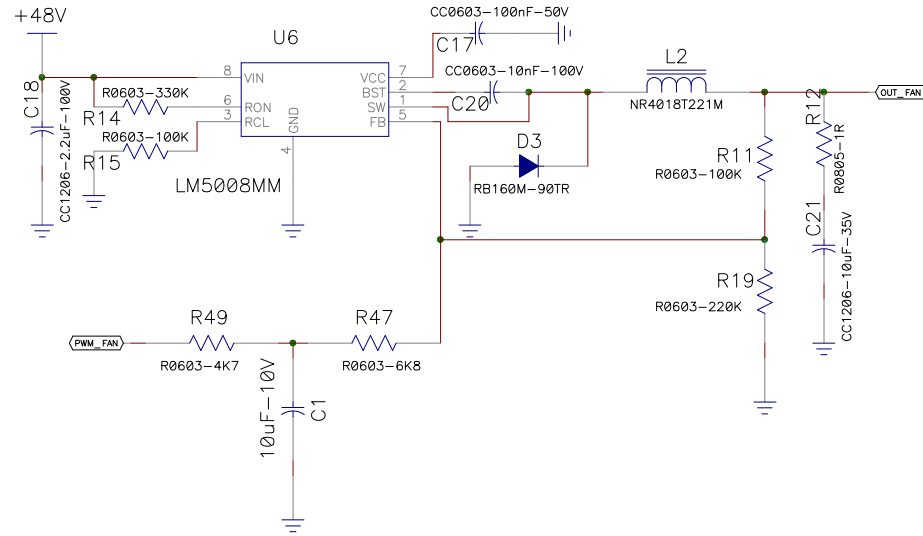
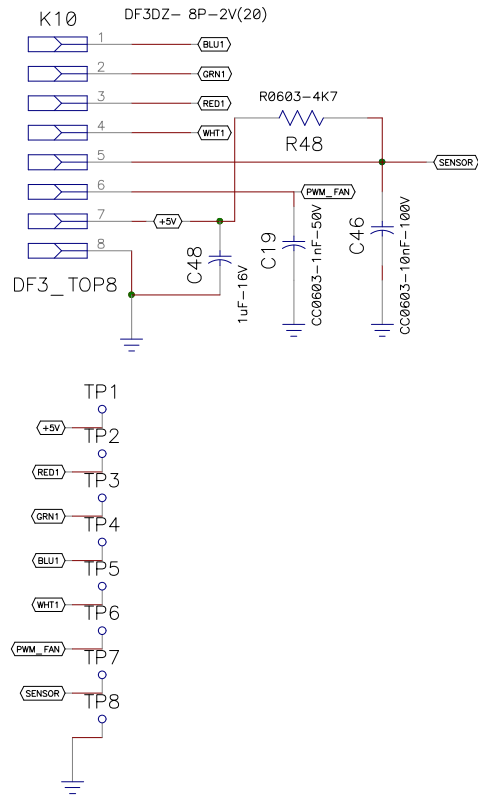


D.T.S. CODE: 0514M044

LED DRIVER BOARD CABLE CONNECTIONS



LED DRIVER BOARD SCHEMATICS



FID1
○
{Value}
FID_MASK
FID2
○
{Value}
FID_MASK

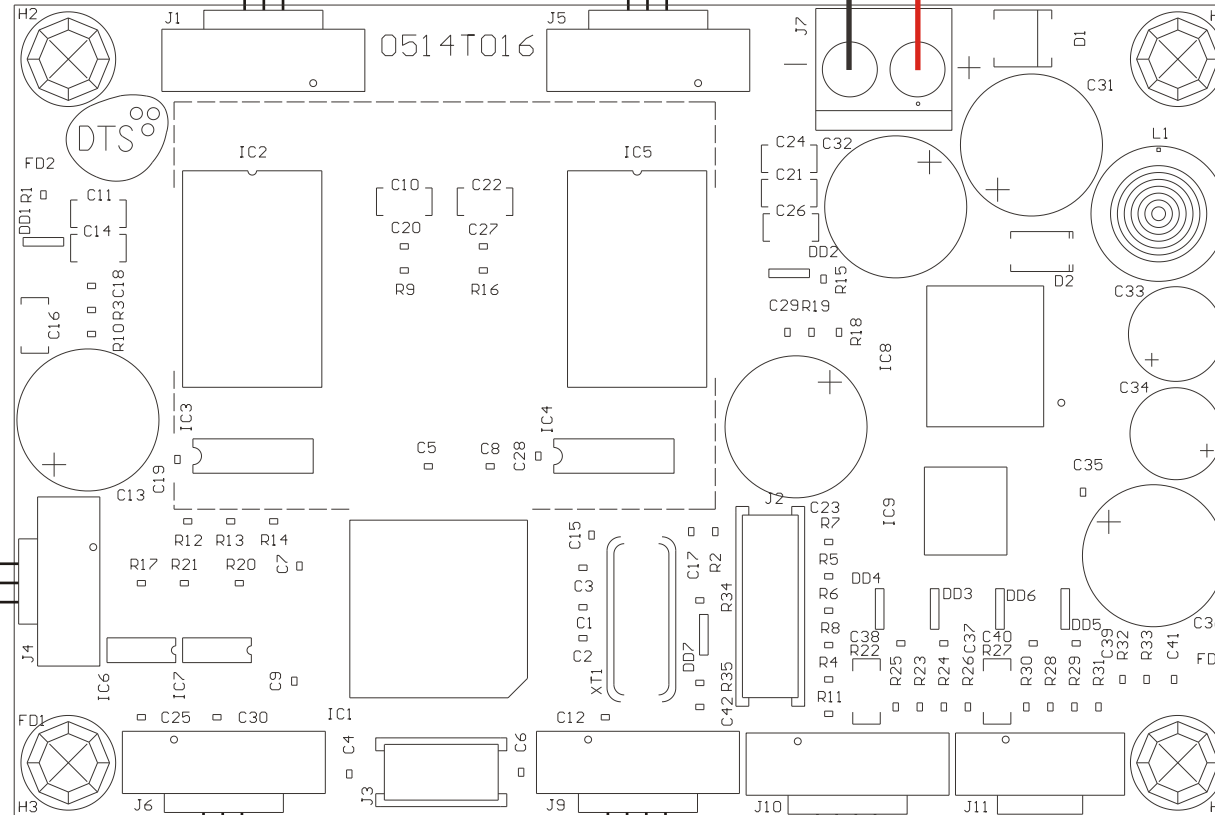
PAN&TILT CARD CABLE CONNECTIONS

**PAN MOTOR
(WHITE)**

**TILT MOTOR
(BROWN)**

**GND
+24V DC**

**POWER
SUPPLY
D.T.S. CODE:
0514M025**



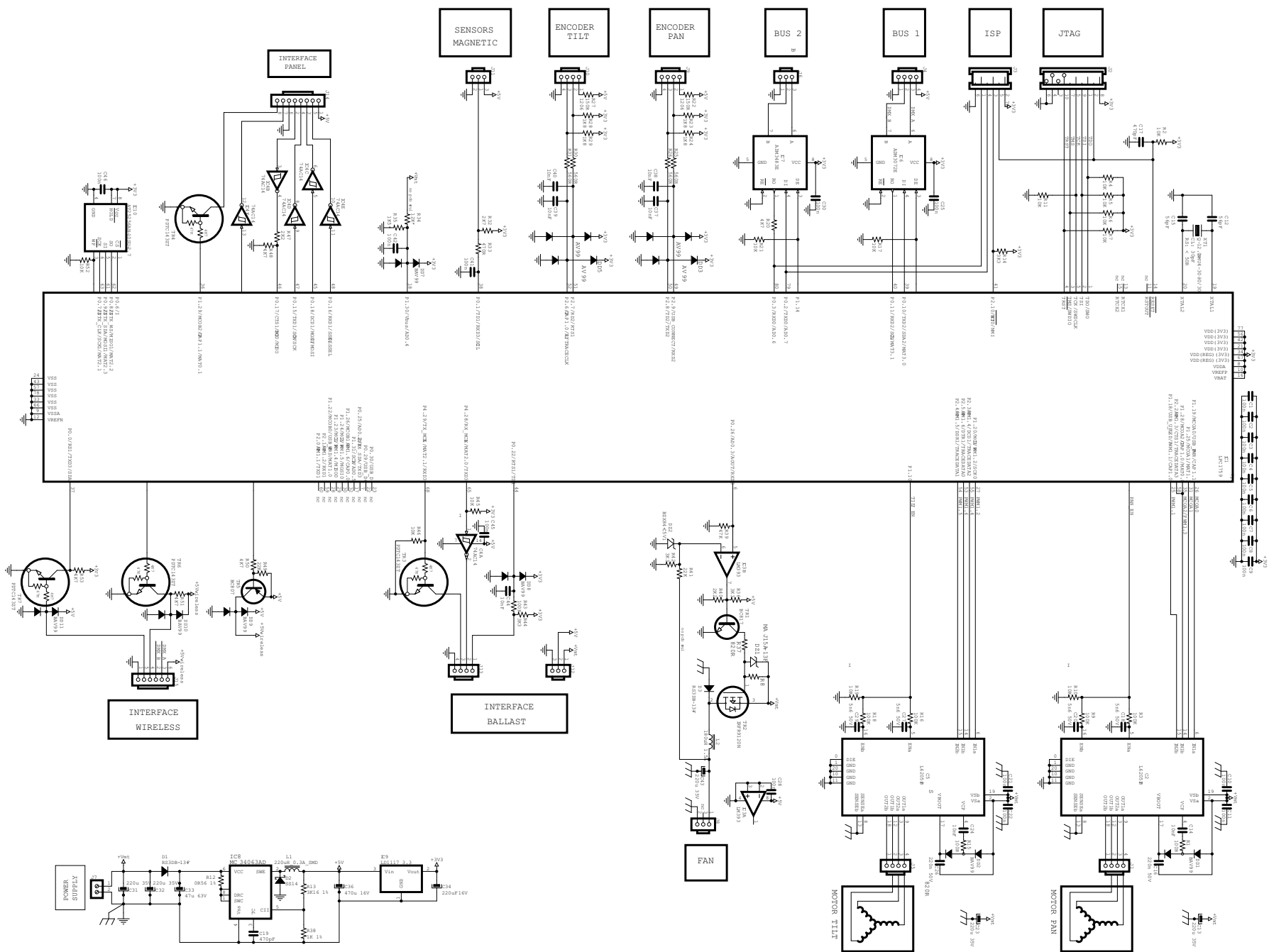
**TO K3 DISPLAY CARD
D.T.S. CODE: 0514M021
(LIGHT GREEN)**

**TO J5 ZOOM CARD
D.T.S. CODE: 0514T015
(LIGHT GREEN)**

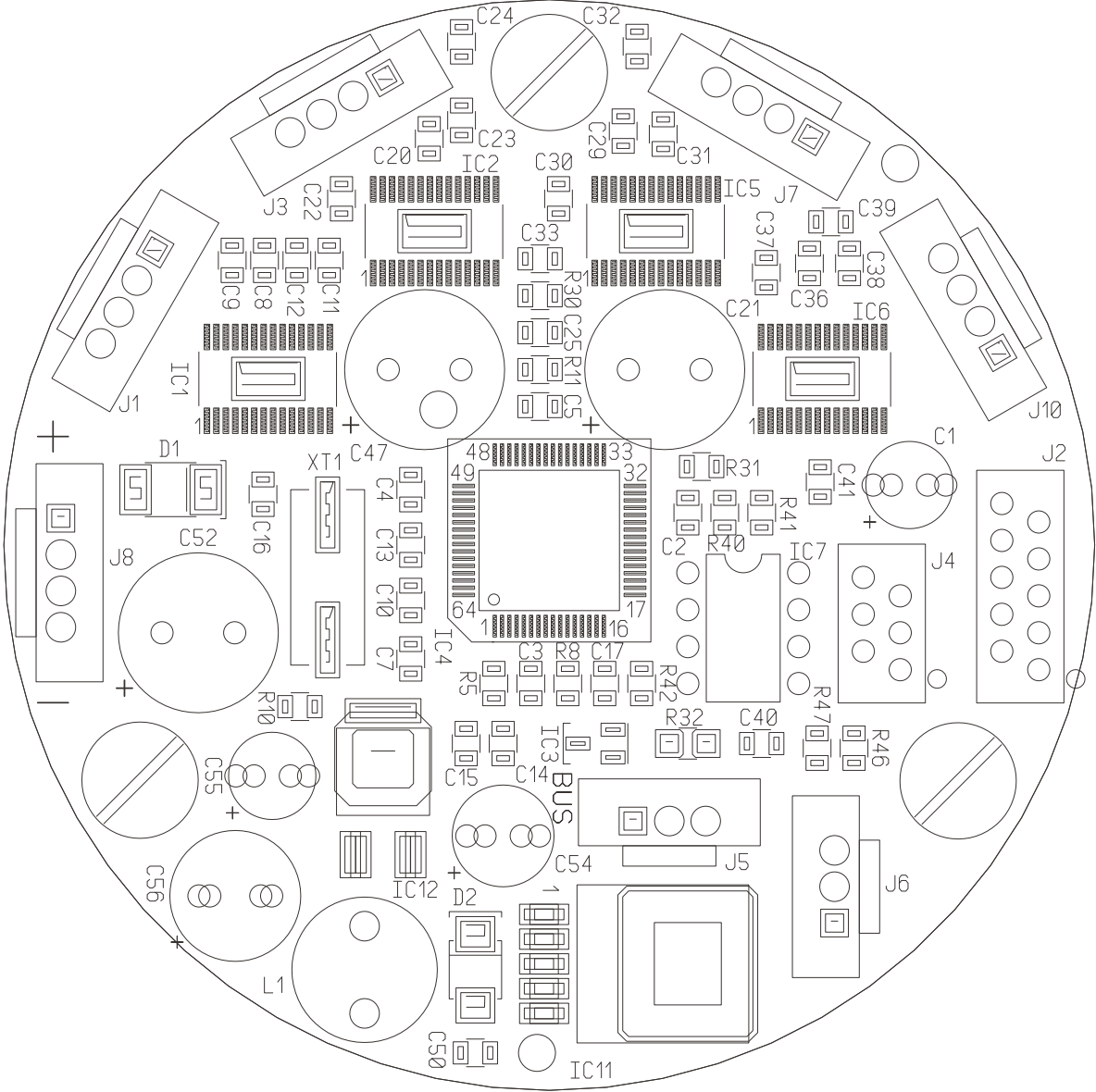
**PAN
ENCODER
(RED)**

**TILT
ENCODER
(ORANGE)**

PAN&TILT CARD SCHEMATICS

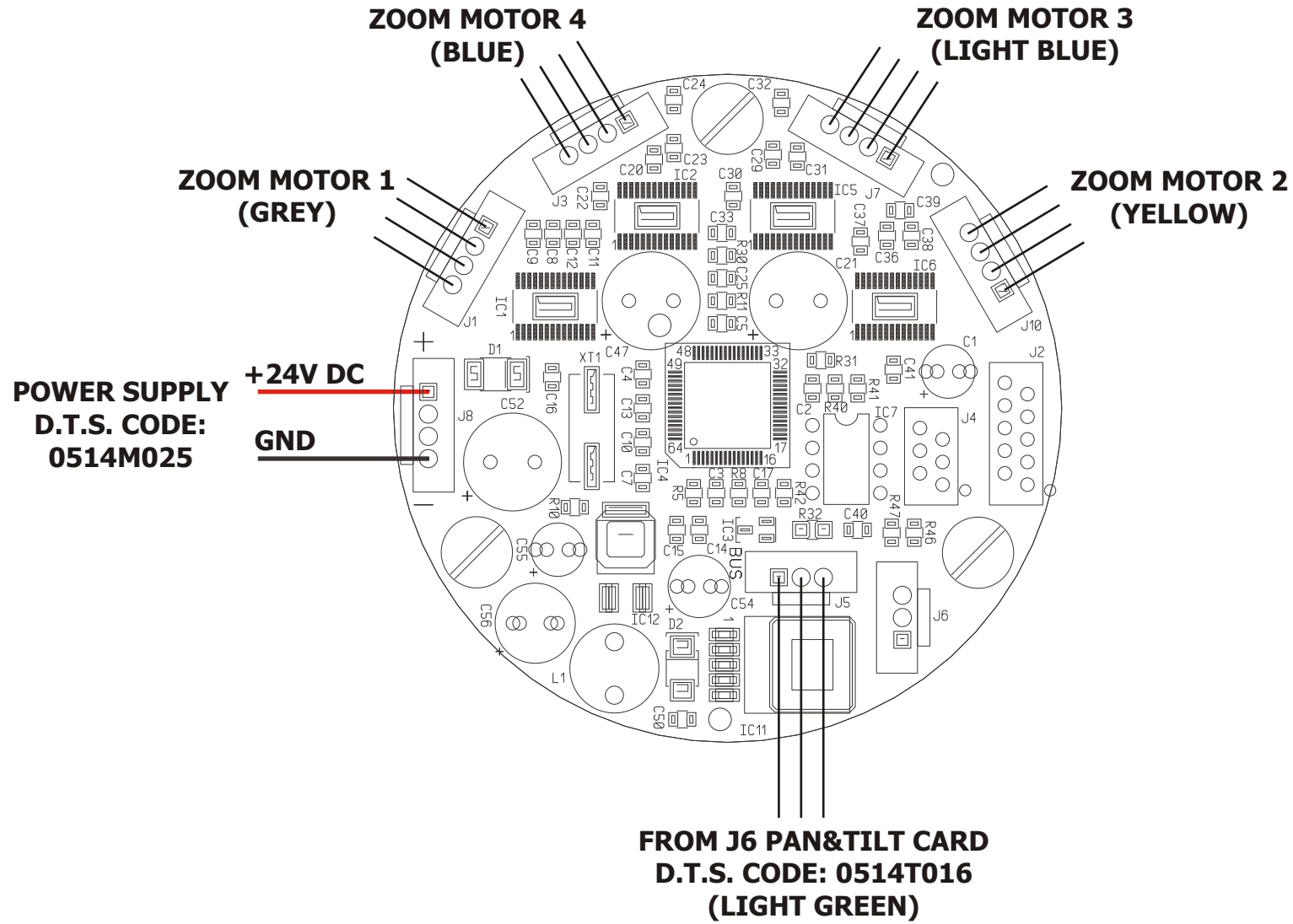


ZOOM CARD LAYOUT

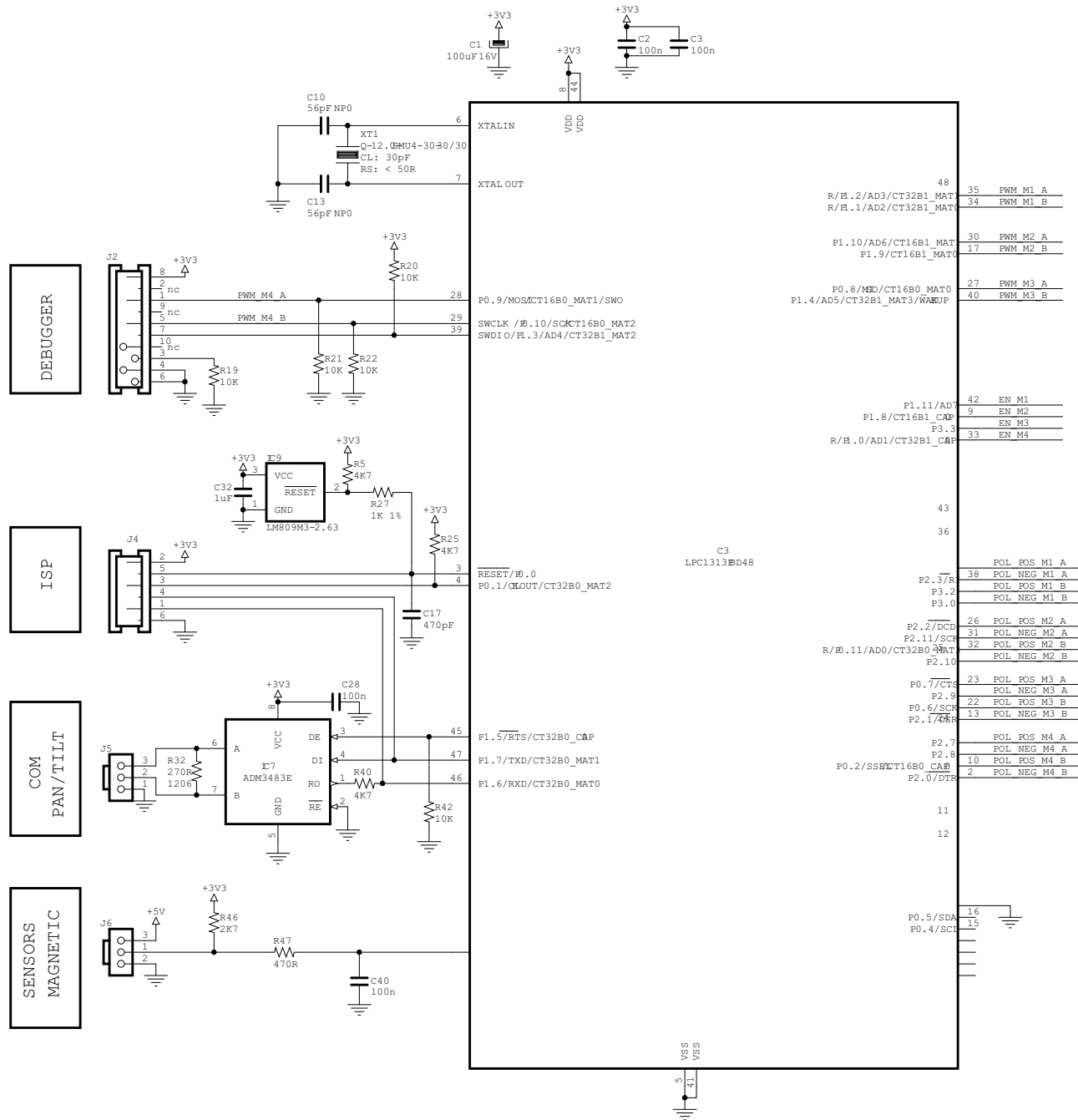


D.T.S. CODE: 0514T015

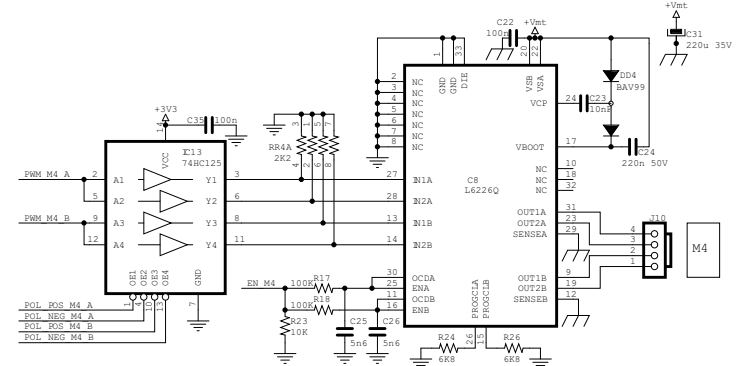
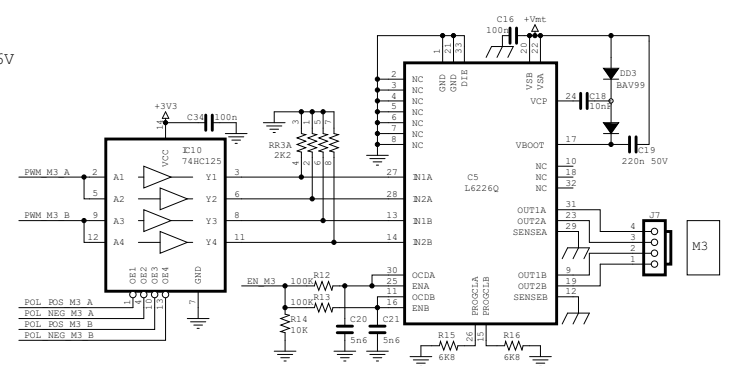
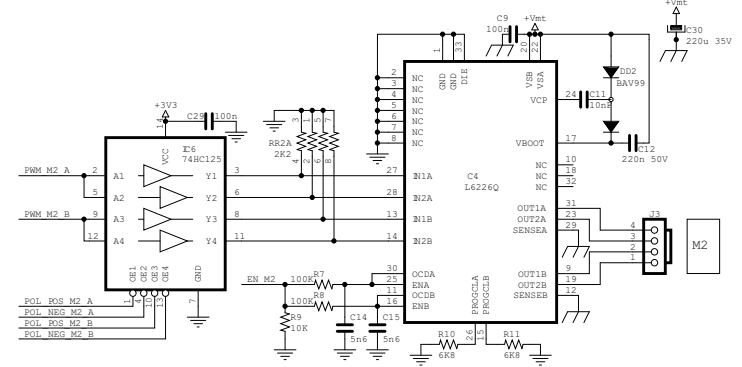
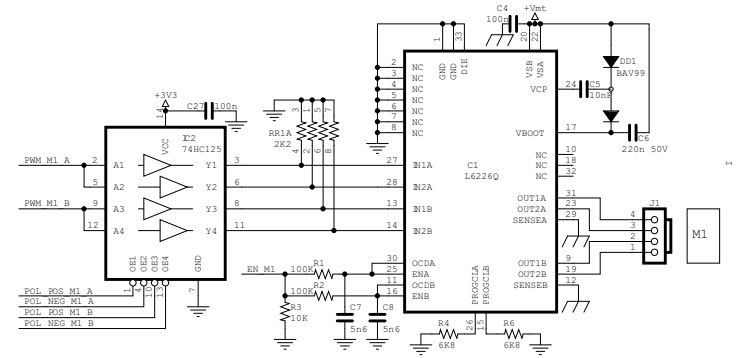
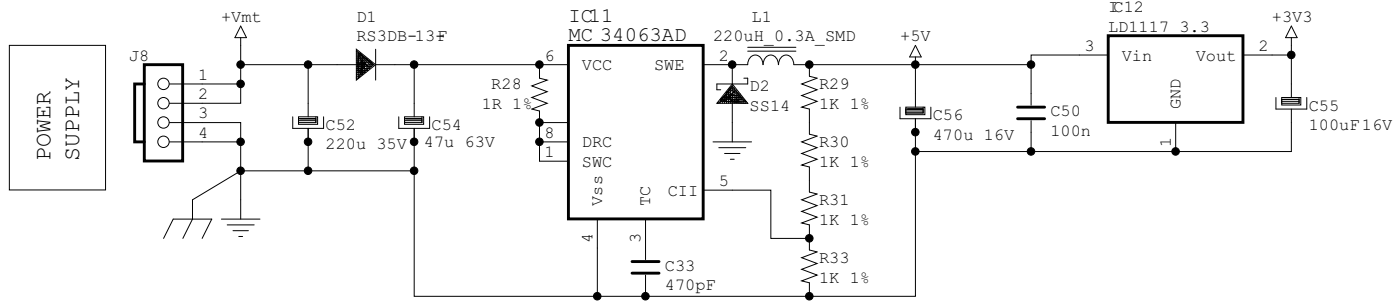
ZOOM CARD CABLE CONNECTION



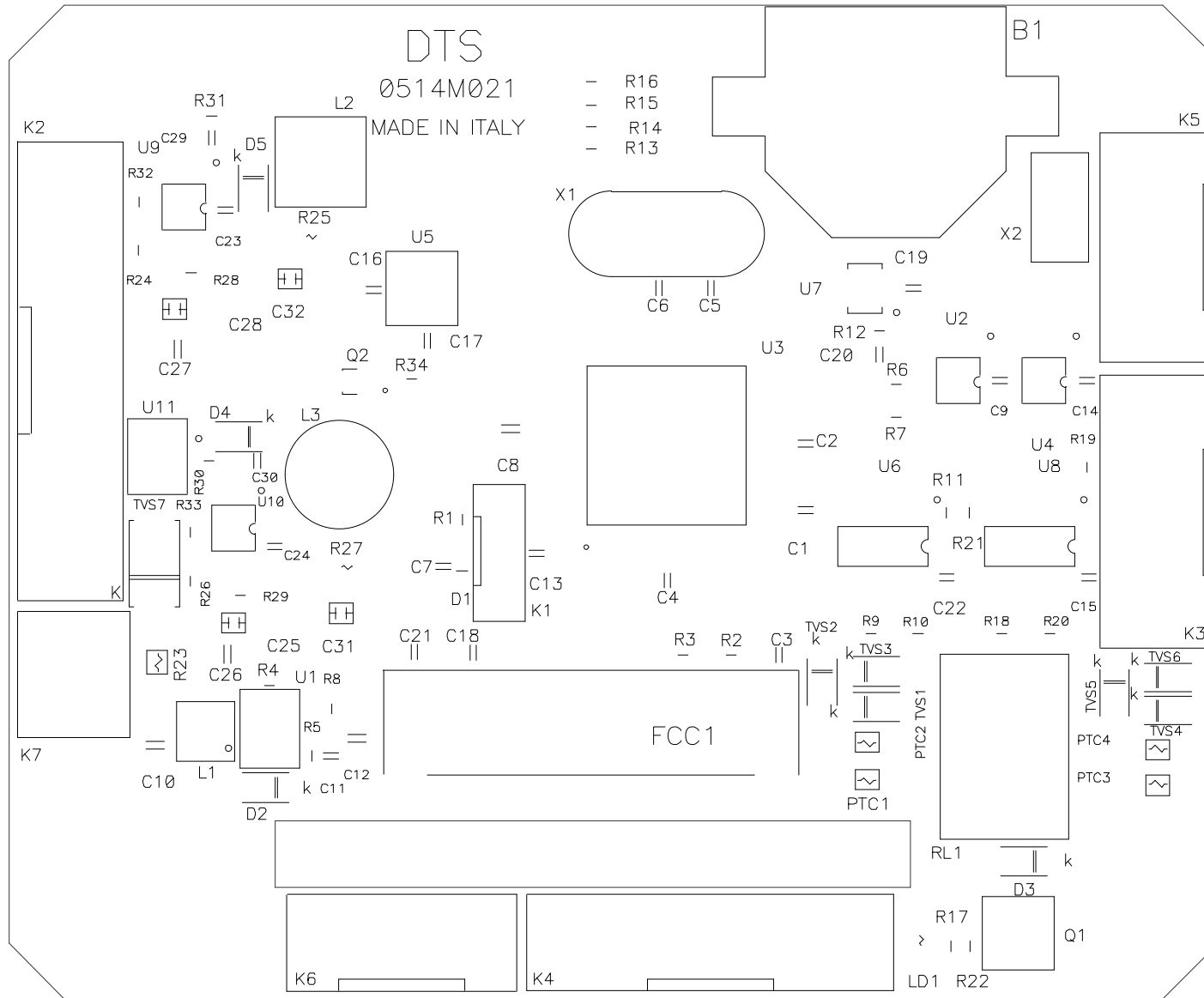
ZOOM CARD SCHEMATICS



ZOOM CARD SCHEMATICS



DISPLAY CARD LAYOUT



D.T.S. CODE: 0514M021

DISPLAY CARD CABLE CONNECTIONS

TO K5 LED DRIVER BOARD
D.T.S. CODE: 0514M044

DMX INPUT
(to connect to the XLR connectors)

DATA+
 DATA-
 GND

DATA+
 DATA-
 GND

FROM J4 PAN&TILT CARD
D.T.S. CODE: 0514T016

+48V DC

GND

POWER SUPPLY
D.T.S. CODE:
0514M045

FAN 2
(not connected)

FAN+
 FAN-

WIRELESS DMX
(module on request)

GND-
 DMX-
 DMX+
 WIR
 LED
 +5V DC

