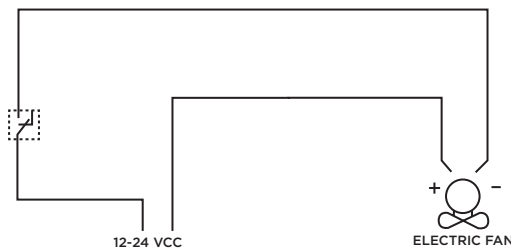
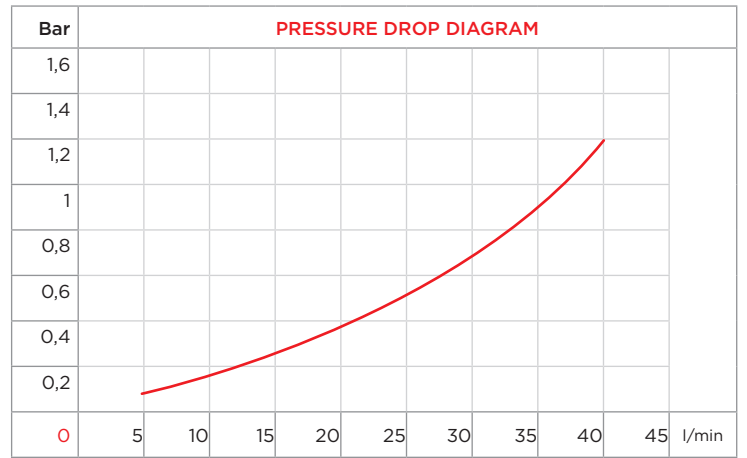
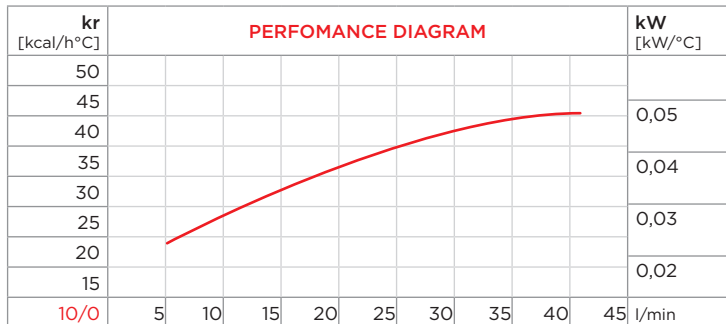


### PURCHASE CODES

APL 170 12/24V without thermo switch	3RL17012 / 3RL17024
APL 170 12/24V with thermo switch	3RL17012T247 / 3RL17024T247 3RL17012T260 / 3RL17024T260

### SPARE PARTS

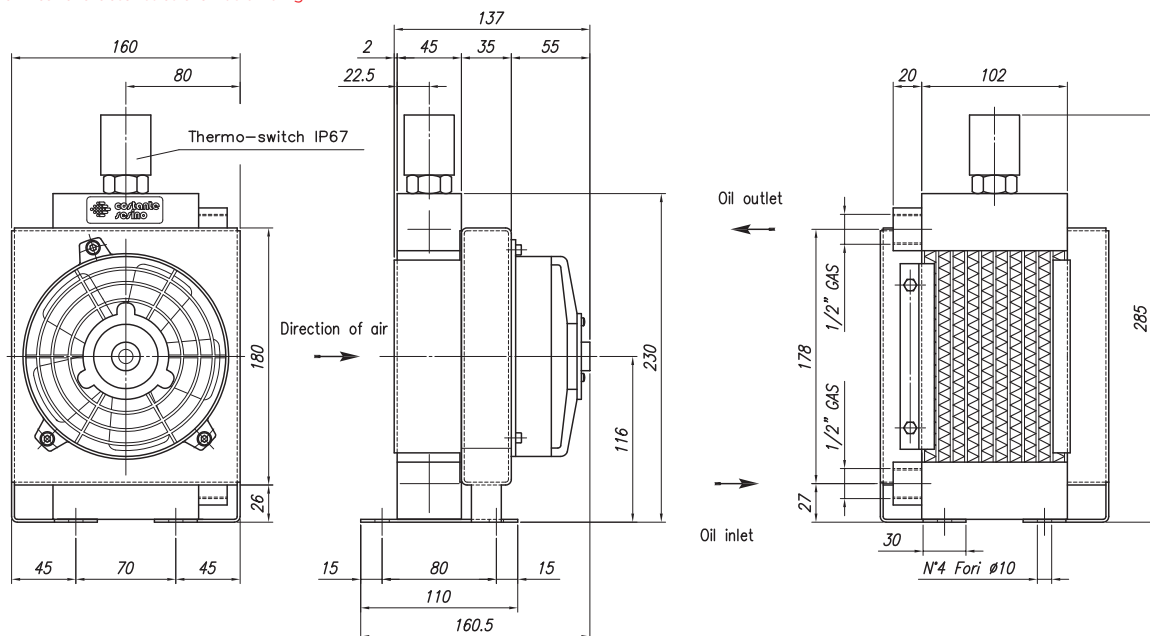
Thermo-switch 47-36 12V IP 67	1TRM47-36/12V
Thermo-switch 47-36 24V IP 67	1TRM47-36/24V
Thermo-switch 60-49 12V IP 67	1TRM60-49/12V
Thermo-switch 60-49 24V IP 67	1TRM60-49/24V
Cooling element	1RO92302
Frame	3CNL170.1
Frame support	3STFL170.1
12VDC Electric fan	1MCVA-37A101A
24VDC Electric fan	1MCVA-37B101A



**CORRECTION FACTOR**

cSt	22	30	46	68	100	150	220
f	0,6	1	1,5	2,3	3,5	5	7

- Dimensions and technical characteristics are not binding



OIL FLOW	VOLTAGE	POWER	CURRENT	AIR FLOW	ELECTRIC PROTECTION	NOISE LEVEL	WEIGHT	CAPACITY	ø FAN
l/min	V	W	A	m³/h	IP	dB(A)	kg	lt.	mm
5-40	12	65	5,4	400	65	70	3	0,5	130
5-40	24	65	2,7	400	65	70	3	0,5	130