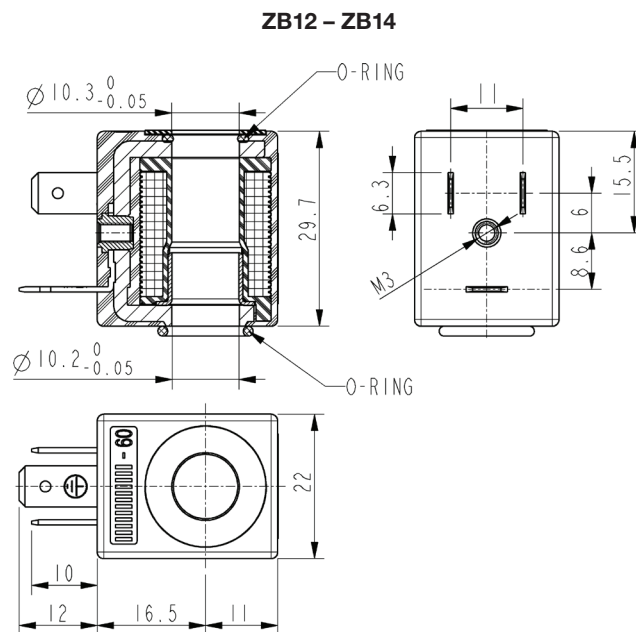
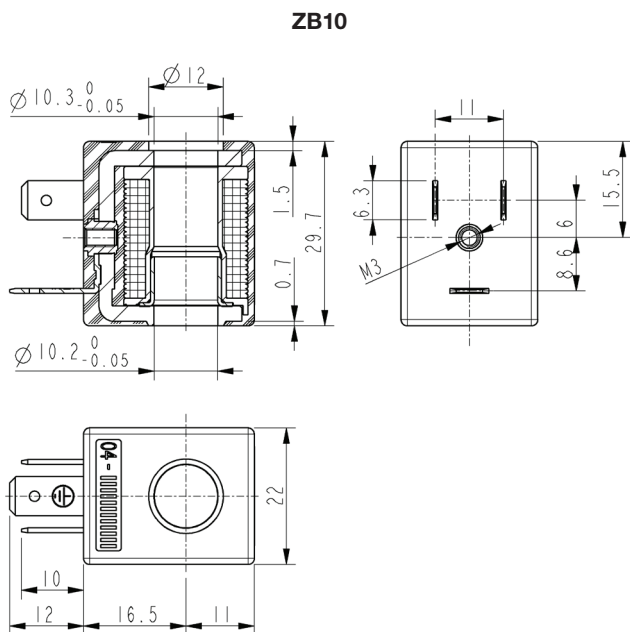


ASCO™ COIL

SPADE TERMINALS (DIN 46340)

SERIES
ZB



General Features

Complying with 2014/35/EU (LVD) and 2014/30/EU (EMC) directives.

Product in accordance with the RoHS 2 directive.

100% inspected.

Electric Connections

Spade terminals 6,3 x 0,8 (DIN46340), 2 line + 1 earth terminals.
3 poles plug connector.

Technical Features	ZB10	ZB12	ZB14
Approval	/	UL and CSA	UL and CSA
Encapsulation material	PA (Polyamide) fiberglass reinforced	PET (polyethylene-terephthalate) fiberglass reinforced	PET (polyethylene-terephthalate) fiberglass reinforced
Insulation class	F (155°C)	F (155°C)	H (180°C)
Ambient temperature	-10°C +60°C	-10°C +60°C	-10°C +75°C
Continuous duty	ED 100%		
Protection degree	IP 65 (EN 60529) with plug connector	IP 67 (EN 60529) with plug connector	IP 67 (EN 60529) with plug connector
Voltages	DC	12-24V (+10% -5%)	
	AC	24V/50-60Hz - 115V/50Hz - 230V/50-60Hz (+10% -15%) (Other voltages and frequencies on request)	

Type	Power absorption			DC	Notes	Weight (kg)
	AC		W			
	Inrush VA	Holding VA				
ZB10A	12	6	4	5,5	1	0,060
ZB12A						
ZB14A						
ZB10C	6	3,5	2,5	3		
ZB12C						
ZB14C						

Notes

1 - ZB12 and ZB14 coils fitted with sealing gaskets underneath and on the upper part (see drawing)