

F24-12D TELECRANE

The TELECRANE model F24-12D Industrial Radio Remote Control system is rugged and reliable, suitable for use with 6-motion, 2-speed complex cranes (up/down/east/west/south/north/R1/R2/R3/R4/F1 motions), A/B/Both crane installations, and many other industrial applications. The receiver has a large red "MAINLINE ON" indicator light and is pre-cabled for easy installation, and two transmitters are supplied to maximize your equipment's uptime. The TELECRANE model F24-12D is the safe solution to your wireless control needs.



SPECIFICATION

Typical applications	Overhead cranes, hoist ,chainhoist.....
Operating distance:	500feet
Frequency:	310 Mhz band for Canada and 410 Mhz for US
Frequency generation:	Crystal (plug in)
Security coding:	4.3 billion uniqueID code
Environnemental rating:	IP 65
Licensing	FCC certifie, No licences required. FCC identifier LWN9312F24 Certified by industry Canada
Warranty :	1 Years
Temperature rating	-35 deg C a 75 deg C (-31 deg F a167 deg F)

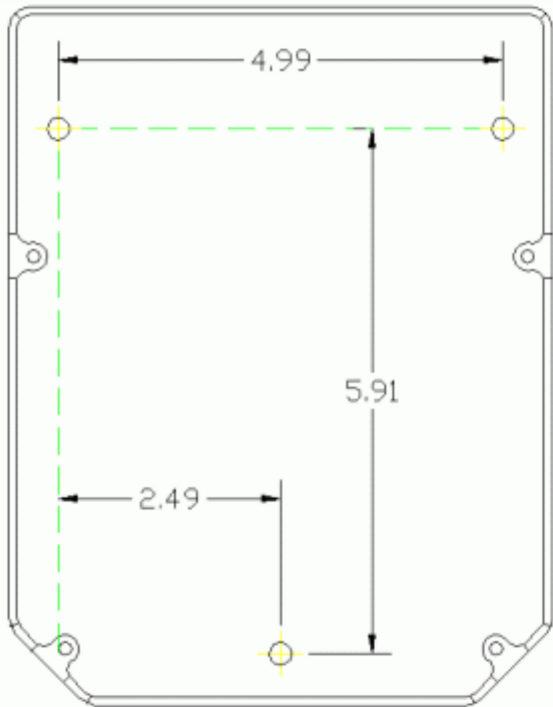
SPECIFICATION RECEIVER

RX Size:	W 6.5" x D 4.5" x L 10.0"
RX part number	F24-12D-RX
RXPower supply input: 110/220 VAC	Available supply:24/48/110/220VAC 12/24 VDC
Relais d'opérations :	10 Amp/250 V AC
Weights :	7 Lbs
Include:	Precable
Accessoiry Available:	Antenna Passive Horn device including receiver(Options)
Options :	Boitier UL UL94V5(Contre le feu)

SPECIFICATION TRANSMITTER

Pieces :	F24-12D-TX
Transmetteurs:	2 standards delivery
Taille:	W 2.0" x D 2.0" x L 7.25"
Poids:	11 ounces
Case material :	30% glass-fiber reinforced nylon-6
Power supply tx:	2 AA alkaline batteries
Indicator power battery:	LED
Buttons:	12set, 2 step more start and stop Operationnel to 2 million Cycles.
Start key Stop Button::	Removable Mushroom style

DIAGRAM

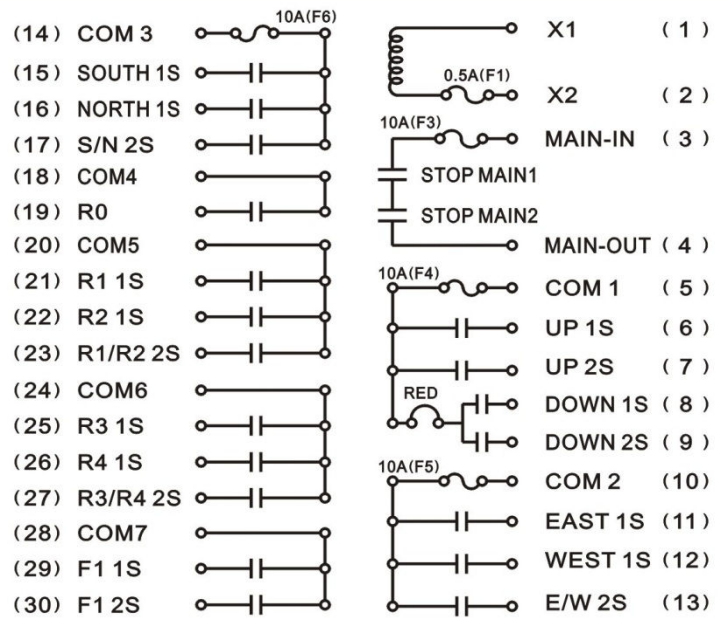


TELECRANE®
REMOTE CONTROL

MODEL NO.: F24-12D

S/N:

CH:



CE 0678

FCC

WWW.TELECRANE.CA / WWW.KLCRANES.COM