

Characteristics / Ordering Code

The electro-hydraulic pressure switch provides an electric signal when the sensed pressure goes above or below the selected setting.

Function

The spring loaded piston is hydraulically dampened. The PSB provides a very accurate hysteresis between the switching points (see diagram).

The required operating pressure is adjusted by the set-screw. Unauthorised adjustments can be prevented by the optional cylinder lock. The electric element is a micro switch with snap-action contact. Three terminals permit application as "On", "Off" or "Changeover" switch.

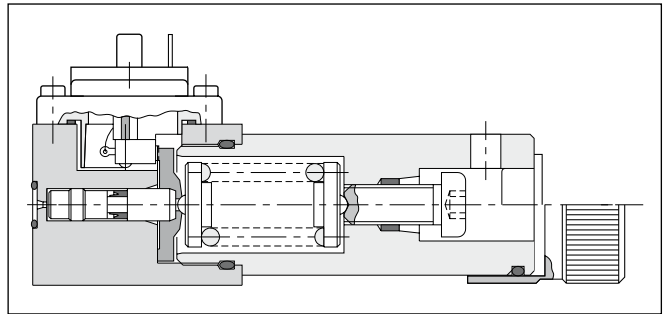
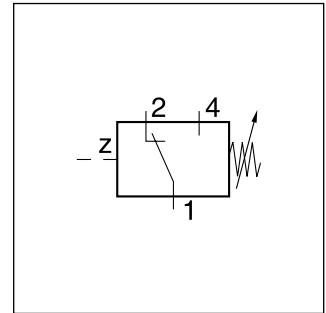
The electrical connection is made with a 3-pole plug-in connector to EN 175301-803 with ground.

Note

For inductive DC loads a spark discharger should be used to increase service life.

Features

- Flange or pipe mounting
- 4 pressure ranges
- Can be used as opener or closer
- Cylinder lock optional



Ordering code

PSB																																		
Pressure switch with manual switching point adjustment	Switching pressure range	Adjustment	Connection	Seal	Design series <small>(not required for ordering)</small>	Lock																												
	<table border="1" style="width: 100%; border-collapse: collapse;"> <tr><th>Code</th><th>Switching pressure range</th></tr> <tr><td>040</td><td>3 to 40 bar</td></tr> <tr><td>100</td><td>10 to 100 bar</td></tr> <tr><td>160</td><td>10 to 160 bar</td></tr> <tr><td>250</td><td>20 to 250 bar</td></tr> </table>	Code	Switching pressure range	040	3 to 40 bar	100	10 to 100 bar	160	10 to 160 bar	250	20 to 250 bar	<table border="1" style="width: 100%; border-collapse: collapse;"> <tr><th>Code</th><th>Adjustment</th></tr> <tr><td>A</td><td>Hexagon socket</td></tr> <tr><td>S</td><td>Knob with scale</td></tr> </table>	Code	Adjustment	A	Hexagon socket	S	Knob with scale	<table border="1" style="width: 100%; border-collapse: collapse;"> <tr><th>Code</th><th>Connection</th></tr> <tr><td>F1</td><td>Flange (front face)</td></tr> <tr><td>V1</td><td>Fitting (front face, tube Ø6)</td></tr> </table>	Code	Connection	F1	Flange (front face)	V1	Fitting (front face, tube Ø6)			<table border="1" style="width: 100%; border-collapse: collapse;"> <tr><th>Code</th><th>Lock</th></tr> <tr><td>-</td><td>without lock</td></tr> <tr><td>Z</td><td>Cylinder lock (not for scale knob)</td></tr> </table>	Code	Lock	-	without lock	Z	Cylinder lock (not for scale knob)
Code	Switching pressure range																																	
040	3 to 40 bar																																	
100	10 to 100 bar																																	
160	10 to 160 bar																																	
250	20 to 250 bar																																	
Code	Adjustment																																	
A	Hexagon socket																																	
S	Knob with scale																																	
Code	Connection																																	
F1	Flange (front face)																																	
V1	Fitting (front face, tube Ø6)																																	
Code	Lock																																	
-	without lock																																	
Z	Cylinder lock (not for scale knob)																																	
				<table border="1" style="width: 100%; border-collapse: collapse;"> <tr><th>Code</th><th>Seal</th></tr> <tr><td>A</td><td>NBR</td></tr> <tr><td>1</td><td>FPM</td></tr> </table>	Code	Seal	A	NBR	1	FPM																								
Code	Seal																																	
A	NBR																																	
1	FPM																																	

Bold letters = Short-term availability

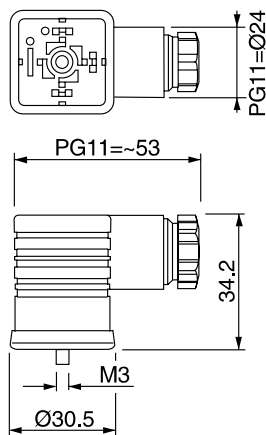
12

Technical data

General			
Symbol			DIN 24340
Design			Plunger type switch
Mounting			PSB*F1* flange (front face) PSB*V1 pipe mounting
Mounting position			unrestricted
Ambient temperature	[°C]		-20 ... +60
MTTF _D value	[years]		150
Weight	[kg]		1.0
Hydraulic			
Operating pressure	[bar]		to 315
Actuating pressure difference			see diagram
Duty cycle			max. 1/s
Fluid			Hydraulic oil according to DIN 51524
Fluid temperature	[°C]		-20...+70 (NBR: -25...+70)
Viscosity, permitted	[cSt] / [mm ² /s]		20 ... 400
Viscosity, recommended	[cSt] / [mm ² /s]		30 ... 80
Filtration			ISO 4406 (1999); 18/16/13
Electrical connection			Plug-in connector to EN 175301-803
Insulation			IP65 as per EN 60529 (with correctly mounted plug-in connector)
Contact load carrying capacity			5 A at 250 VAC; 1 A at 50 VDC; 0.2 A at 250 VDC

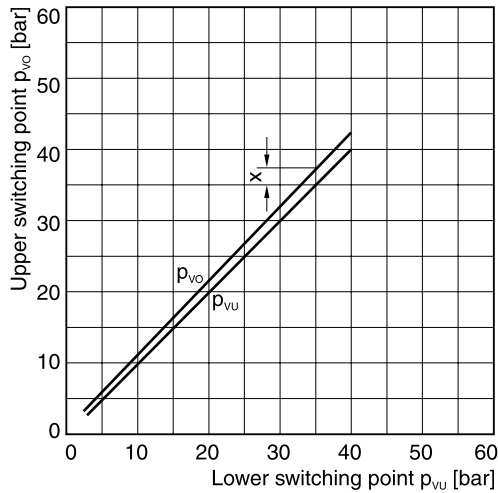
Plug EN 175301-803

Description	Threaded cable joint	Ordering code
Plug EN 175301-803, design type AF, protection class IP65	PG11	HR 21500157
Plug with LED, 12...230 V AC/DC, protection class IP65	PG11	HR 21502321

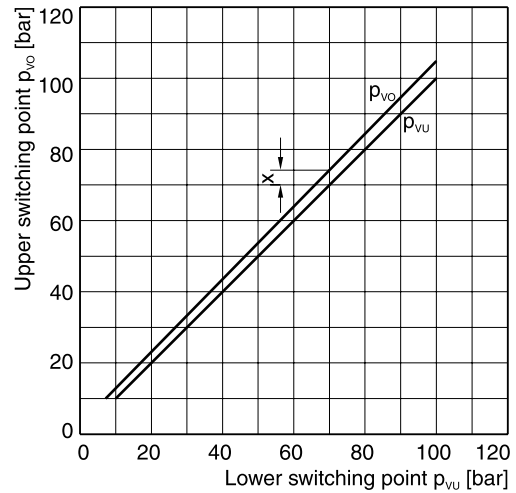


Switching pressure difference

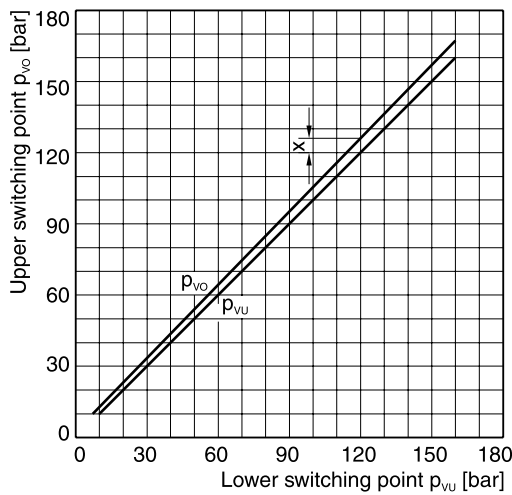
PSB040



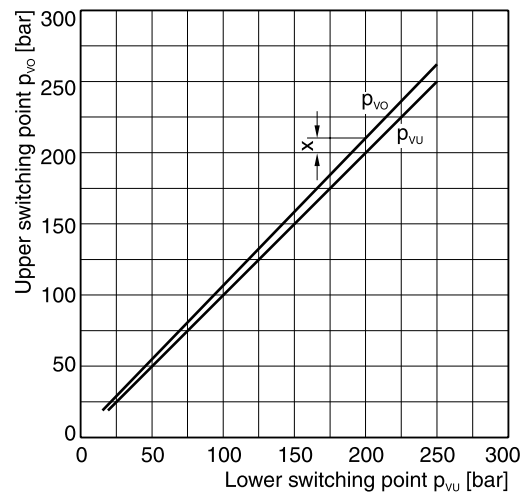
PSB100



PSB160



PSB250

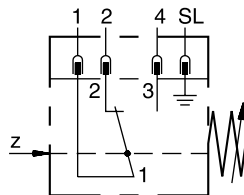


X = switching differential

All characteristic curves measured with HLP46 at 50 °C.

12

Electrical connections

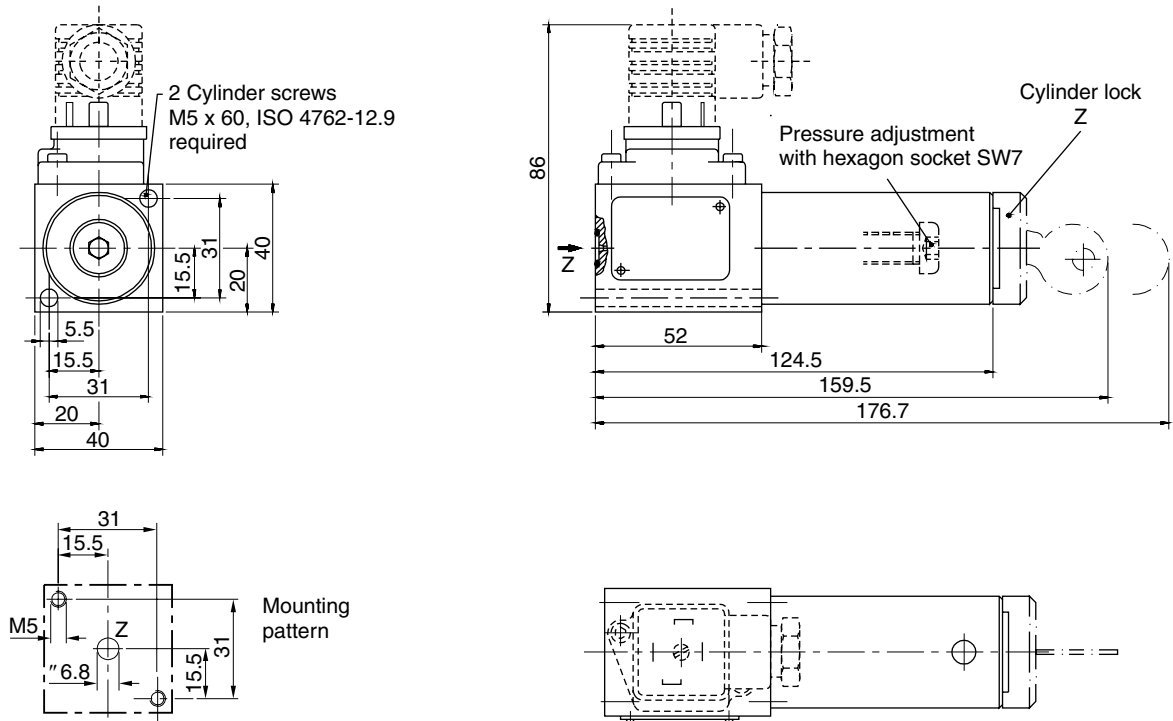


Electrical connection EN175301-803

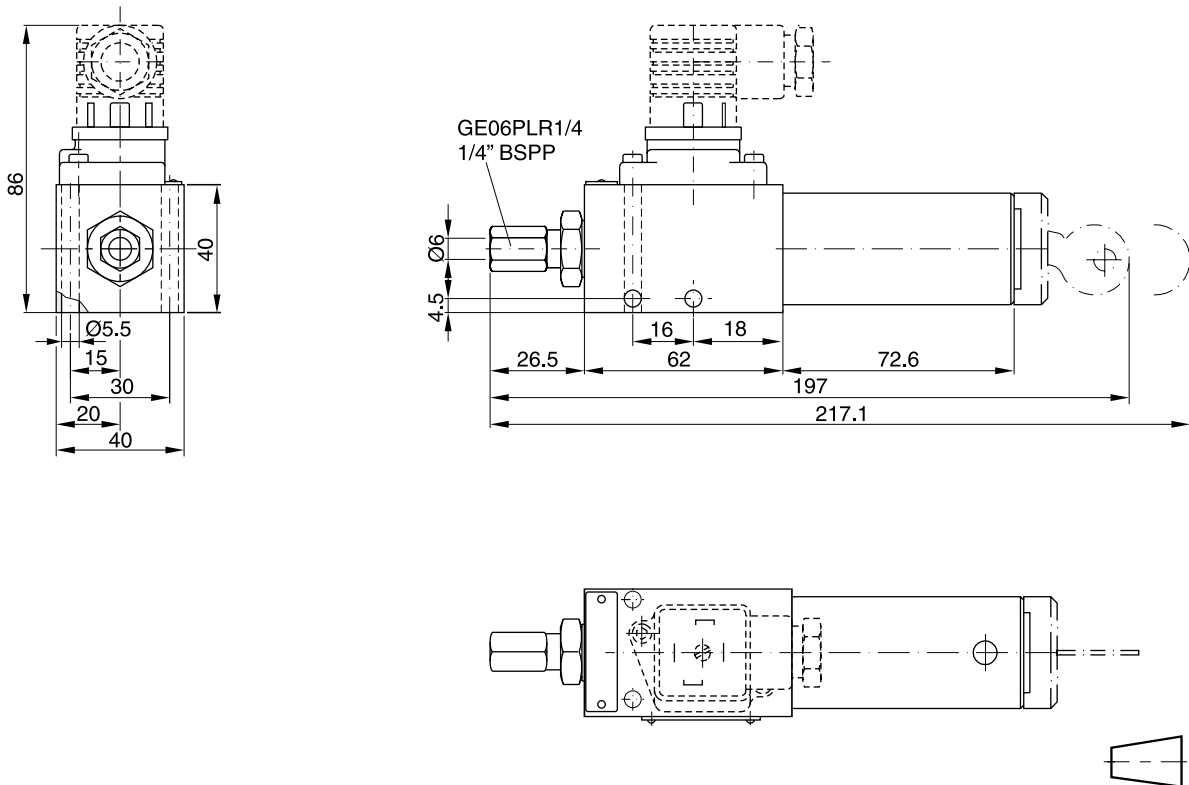
Dimensions

**Pressure Switch
Series PSB**

PSB*F1*



PSB*V1*



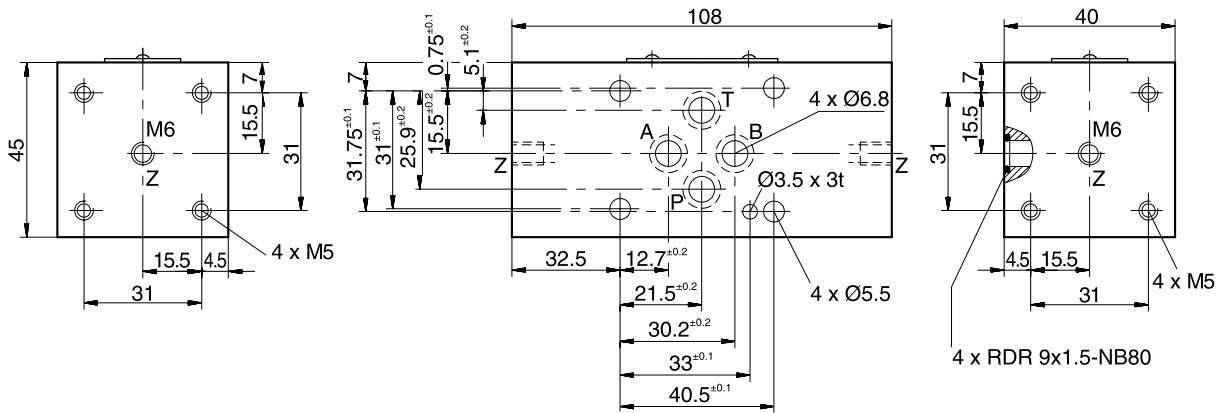
Intermediate Plates for Pressure Switch PSB

Technical Data

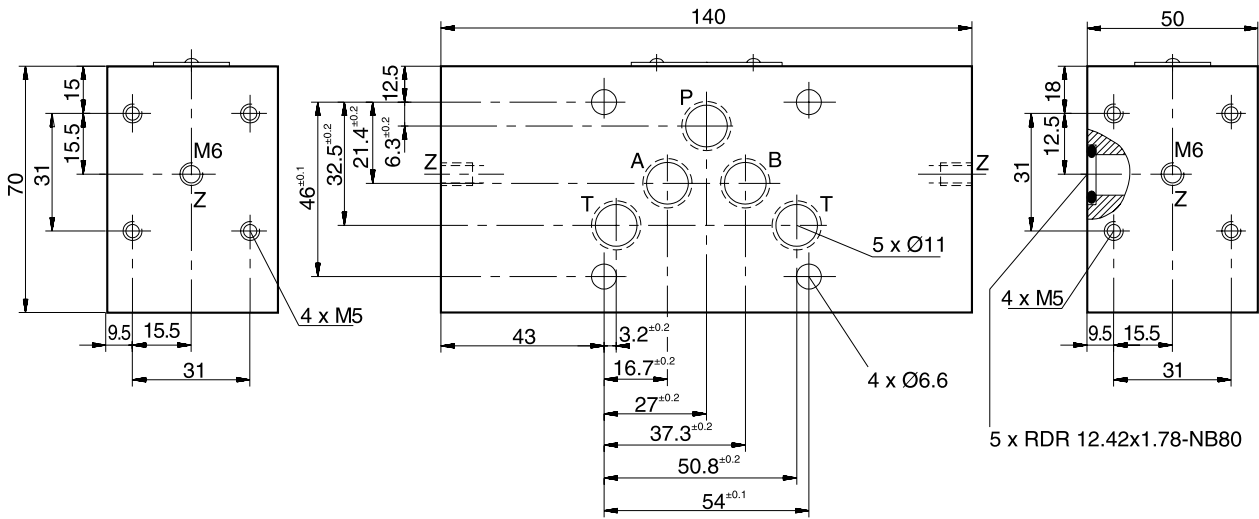
Switch code	Ordering code	Nominal size	Function
	H06PSB-994	06	Pressure switch connection to A or B or A and B: Connections not used are closed by plug.
	H10PSB-996	10	
	H06PSB-993	06	Pressure switch connection to P (left or right mounting is possible). Connection not used is closed by plug.
	H10PSB-995	10	

Bold letters =
Short-term availability

Dimensions NG06



Dimensions NG10



12

