

Pressure switch FF 4

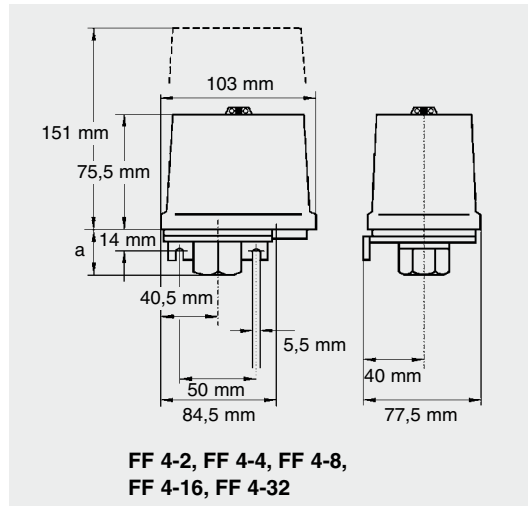
Approval acc. to ATEX

Description

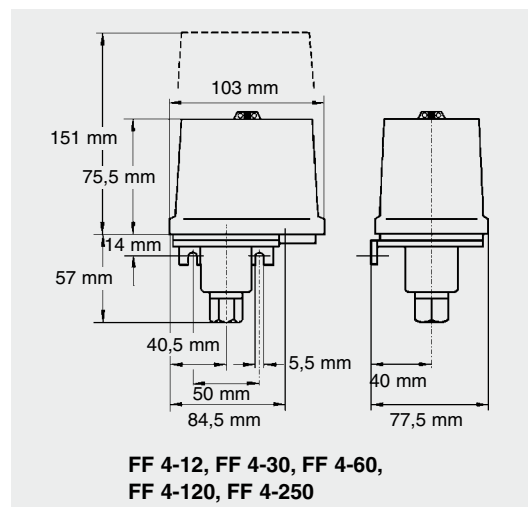
- Pressure switches 2 ... 32 bar with perbunan diaphragm.
- Pressure switches 60 ... 250 bar with plastic plunger and throttle.
- Throttle must be removed when using viscous media.



Control pressure switch FF 4-4 AB DAH



Control pressure switch FF 4-4 AC DAH



Types

Protection class: IM2 Ex ia IMb, Pressure connector: H (G 3/8" Female thread)

Order reference	Upper switch pt. adjustable (bar)	Lower switch pt. adjustable (bar)	Smallest diff.* (bar)	Max. operating pressure (bar)	Max. test pressure (bar)	Standard setting (bar)	Part No.
FF 4-2 AB DAH	0,11 ... 2	0,04 ... 1,89	0,07 0,11	20	40	0,5 / 1,5	1030133
FF 4-4 AB DAH	0,22 ... 4	0,07 ... 3,75	0,15 0,25	24	40	1 / 3	1030134
FF 4-8 AB DAH	0,5 ... 8	0,2 ... 7,5	0,3 0,5	30	40	2 / 6	1030135
FF 4-16 AB DAH	1 ... 16	0,4 ... 15	0,6 1	36	48	4 / 12	1030136
FF 4-60 AB PAH	8 ... 60	4 ... 52	4 8	100	120	20 / 40	1030138
FF 4-120 AB PAH	16 ... 120	8 ... 104	8 16	200	240	20 / 80	1030139
FF 4-250 AB PAH	30 ... 250	14 ... 226	12 24	400	500	100 / 200	1030140

* at lower ... higher end of range