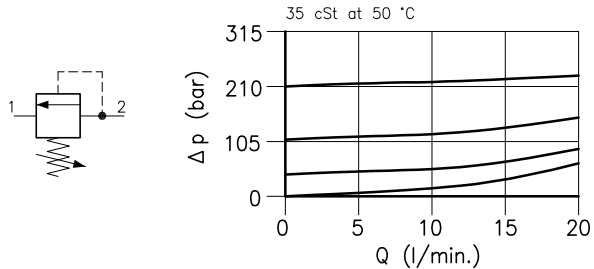
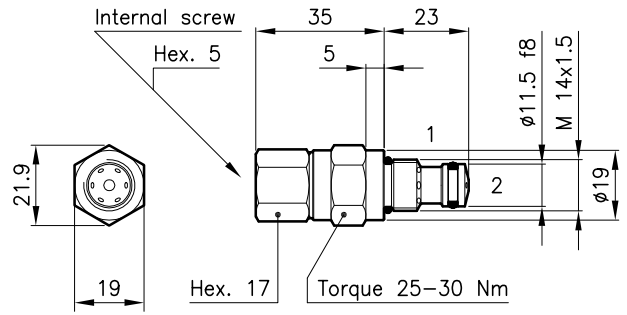
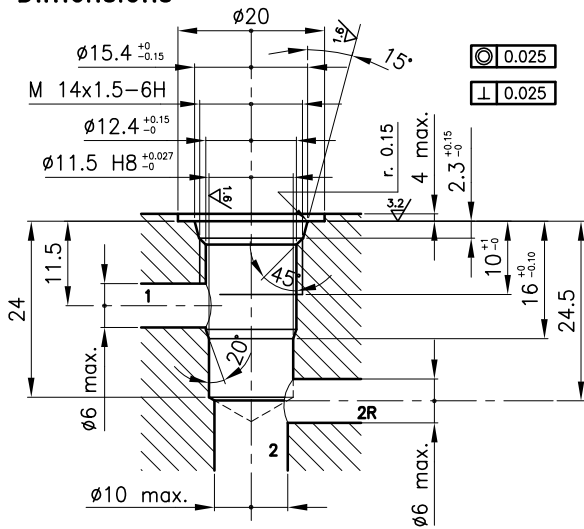


Technical features



Max. flow	(l/min.)	15
Max. inlet pressure	(bar)	420
Max. pressure on line 1	(bar)	210
Fluid viscosity range	(cSt)	2.8 - 380
Fluid temperature range	(°C)	-20 +80
Mass	(kg)	0.110
Cracking pressure 90% of setting value		
Reseat pressure 80% of setting value		
Cracking pressure defined with 1 l/min.		
Standard setting obtained with 5 l/min.		
Hydraulic fluid; mineral oil HM and HV ISO 6074		
Recommended filtration; 19/15 ISO 4466 (25 μ absolutes)		
Standard seals in Polyurethane and Buna N		

Dimensions



Ordering informations

LPA 10/D-I

LPA 10 = Valve type



Standard springs

Type	Setting range	Factory set
U	7 - 70 bar	35 bar
D	35 - 175 bar	105 bar
T	70 - 350 bar	210 bar
Q	105 - 420 bar	315 bar

Adjustment type

I = Special adjustment



Codes:

LPA 10/U-I	11 011 109
LPA 10/D-I	11 011 110
LPA 10/T-I	11 011 111
LPA 10/Q-I	11 011 112
External seals kit	90 620 121

LPA 10 valves can be assembled on standard bodies 10-LO series; for dimensions see catalogue 16.010