

3-way flanged ball valve, stainless steel / stainless steel BV8-6666T-L-3way

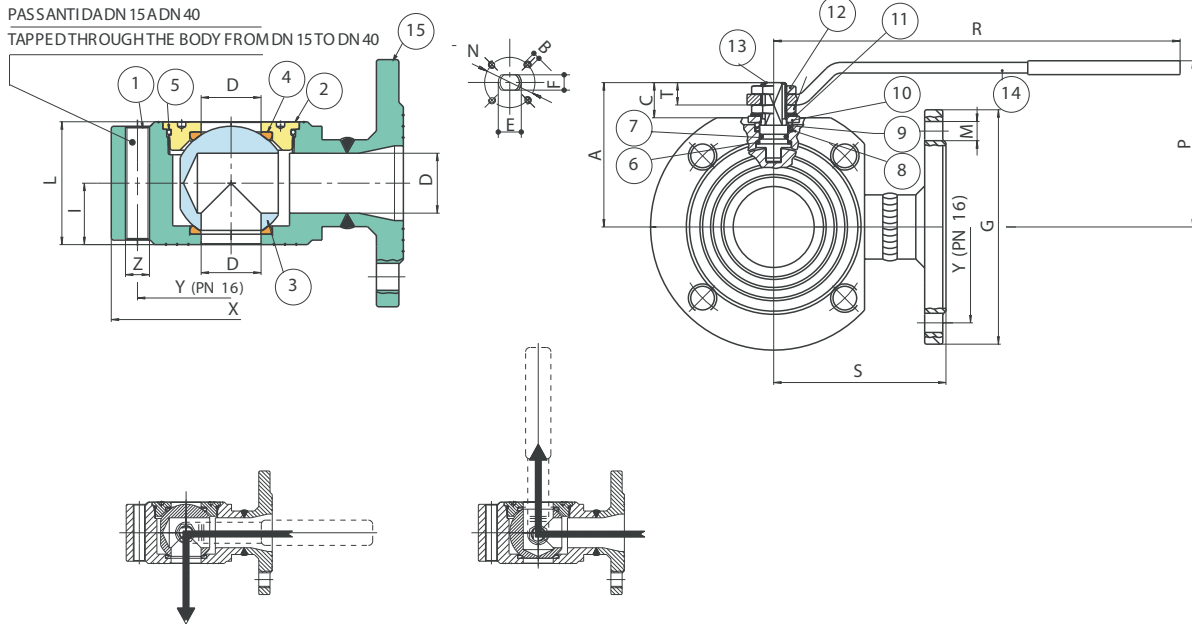
APPLICATION

Assembly in flanged pipe system
Nominal pressure (PN) in bar
Vacuum: Maximum 10^{-3} torr.
Temperature range: -20°C + 160°C
Direction of flow: three directions



PASSANTIDADN 15ADN 40

TAPPED THROUGH THE BODY FROM DN 15 TO DN 40



| POS. | DENOMINAZIONE | PART NAME | DESCRIPTION | TEILBENENNUNG | DENOMINACION | MATERIALE-MATERIALS MATERIAUX-WERKSTOFF- MATERIAL | N°P. |
|------|--------------------------|----------------|------------------------|-----------------|------------------------|------------------------------------------------------|------|
| 1 | CORPO | BODY | CORPS | GEHÄUSE | CUERPO | INOX AISI 316 | 1 |
| 2 | GHIERA | END CONNECTION | RACCORDS | RING | TERMINAL | INOX AISI 316 | 1 |
| 3 | SFERA | BALL | BILLE | KUGEL | BOLA | INOX AISI 316 | 1 |
| 4 | GUARNIZIONE SFERA | BALL SEAT | JOINT DE TENUE BILLE | KUGELDICHTUNG | ASIENTO ESFERA | PTFE (TEFLON') | 2 |
| 5 | O-RING | RING | O-RING | O-RING | O-RING | FKM (VITON') | 1 |
| 6 | RONDELLA ASTA | THRUST WASHER | RONDELLE DE LAXE | SPINDELSCHIBE | EMPAQUETADURA | PTFE (TEFLON') | 1 |
| 7 | O-RING | RING | O-RING | O-RING | O-RING | FKM (VITON') | 1 |
| 8 | GUARNIZIONE ASTA | STEM SEAT | JOINT DE LAXE | SPINDELDICHTUNG | ASIENTO EJE | PTFE (TEFLON') | 1 |
| 9 | BUSSOLA PREMIGUARNIZIONE | PACKING GLAND | BAGUE DE PRESSE ETOUPE | VORSPANNRING | MANGUITO PRENSAESTOPAS | AVP-95 MnPb36 | 1 |
| 10 | RONDELLA MEZZOGIRO | END STOP | RONDELLE | ANSCHLAGSCHIBE | ARANDELA MEDIAVUELTA | INOX AISI 430 (DN15-DN50) UNI 7070 (DN65-DN200) | 2 1 |
| 11 | MOLLA A TAZZA | SPRING WASHER | RESSORT A-DISQUES | TELLERFEDER | MUELLE CONTENEDOR | UNI 3545 | 2 |
| 12 | DADO | NUT | ECROU | MUTTER | TUERCA | UNI 5771 | 2 |
| 13 | ASTA | STEM | TIGE | SPINDEL | EJE | INOX AISI 316 | 1 |
| 14 | LEVA | HANDLE | POIGNÉE | HANDHEBEL | PALANCA | UNI 7070 | 1 |
| 15 | FLANGIA | FLANGE | BRIDE | FLANSCH | BRIDA | INOX AISI 316 | 1 |

| DN | X | Y | Z | I | L | R | P | A | C | T | G | M | D | S | E | F | N | B | PN | Kg | |
|-------|-----|-----|-----|-------|------|-----|-------|-------|-------|------|------|-----|-------|------|-----|----|----|-----|-------|----|-------|
| 1/2Z | 15 | 89 | 65 | 4xM12 | 20 | 40 | 131,5 | 64,5 | 47 | 15,5 | 9 | 95 | 4xØ14 | 10 | 76 | 10 | 7 | 32 | 4xM5 | 16 | 2,23 |
| 3/4Z | 20 | 99 | 75 | 4xM12 | 20 | 40 | 131,5 | 67 | 49,5 | 13,5 | 9 | 105 | 4xØ14 | 15 | 82 | 10 | 7 | 32 | 4xM5 | 16 | 2,86 |
| 1Z | 25 | 109 | 85 | 4xM12 | 23 | 46 | 174,5 | 79 | 59 | 18 | 12,5 | 115 | 4xØ14 | 20 | 86 | 12 | 8 | 42 | 4xM5 | 16 | 3,89 |
| 1 1/4 | 32 | 130 | 100 | 4xM16 | 29 | 58 | 174,5 | 84 | 64 | 15,5 | 11,5 | 140 | 4xØ18 | 25 | 100 | 12 | 8 | 42 | 4xM5 | 16 | 6,21 |
| 1 1/2 | 40 | 140 | 110 | 4xM16 | 35,5 | 71 | 250,5 | 102,5 | 78 | 24,5 | 13 | 150 | 4xØ18 | 32 | 105 | 16 | 10 | 50 | 4xM6 | 16 | 8,50 |
| 2Z | 50 | 160 | 125 | 4xM16 | 41 | 82 | 250,5 | 109 | 85 | 25 | 13,5 | 165 | 4xØ18 | 40 | 115 | 16 | 10 | 50 | 4xM6 | 16 | 12,27 |
| 2 1/2 | 65 | 180 | 145 | 4xM16 | 53 | 106 | 321,5 | 128 | 104,5 | 28 | 18 | 185 | 4xØ18 | 50,2 | 125 | 20 | 14 | 70 | 4xM8 | 16 | 19,10 |
| 3Z | 80 | 200 | 160 | 8xM16 | 61 | 122 | 321,5 | 136,5 | 113 | 28 | 18 | 200 | 8xØ18 | 64 | 150 | 20 | 14 | 70 | 4xM8 | 16 | 24,34 |
| 4Z | 100 | 220 | 180 | 8xM16 | 76 | 152 | 381,5 | 155,5 | 136 | 34,5 | 22 | 220 | 8xØ18 | 76 | 159 | 24 | 18 | 102 | 4xM10 | 16 | 38,45 |