

### 3.5.1 TECHNICAL DATA

**MAX OPERATING PRESSURE (PS):** 4000 PSI

**PRESSURE TEST (PT):** 1.5 x PS

**NOMINAL CAPACITIES:** 1/4 - 1 - 2.5 - 5 - 10 - 15 gallons

**WORKING TEMPERATURE:** -40 ÷ +200 °F (-40 ÷ +93 °C)

**COMPRESSION RATIO (Po : P2):** max. 1 : 4

**FLUID VISCOSITY RANGE:** 10 ÷ 400 cSt

**RECOMMENDED VISCOSITY:** 36 cSt

**FLUID CONTAMINATION DEGREE:**  
class 21/19/16 according to ISO 4406/99

**BODY MATERIAL:**

- carbon steel shell (SA 372 grade E class 70)  
  painted with rust inhibitor RAL 8012
- nickel coating 25 - 40 µ
- internal and external coating with RILSAN th. 0.6 mm

**VALVES MATERIAL:**

- phosphated or galvanized carbon steel in compliance with Directive 2002/95/EC (RoHS) to resist to corrosion
- stainless steel AISI 316L
- nickel coating 25-40 µ

**BLADDER MATERIAL:**

- **P** = Nitrile rubber (NBR)
- **F** = Low temp. nitrile rubber
- **H** = Nitrile for hydrocarbons
- **K** = Hydrogenated nitrile (HNBR)
- **B** = Butyl (IIR)
- **E** = Ethylene-propylene (EPDM)
- **N** = Chloroprene (Neoprene)
- **Y** = Epichlorohydrin (ECO)
- **V** = Fluorocarbon (FPM)

See Table 3.5c and/or Chapter 1.5

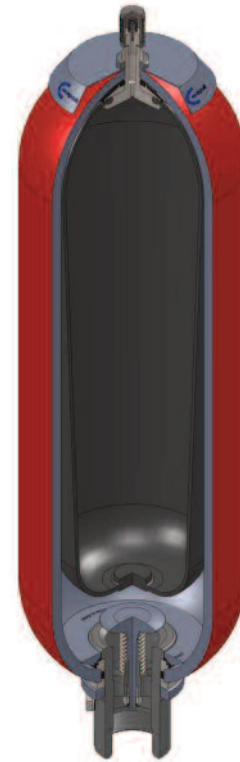
**FILLING VALVE CONNECTION:**

- 5/8"-UNF std
- 7/8" UNF
- 1/4" BSP

**FLUID PORT CONNECTION:** see Table 3.5dc - 3.5df - 3.5eb - 3.5ec

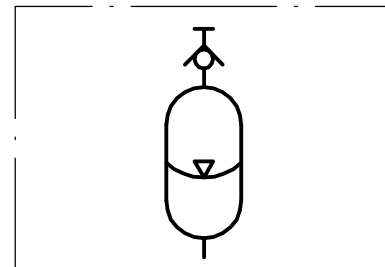
**FLOW RATE:** see Table 3.5db

**WEIGHT:** see Table 3.5db - 3.5df



3.5a

### 3.5.2 HYDRAULIC SYMBOL



3.5b

### 3.5.3 “ASA” BLADDER ADVANTAGES

- dirt tolerant
- light weight
- compact
- simple construction
- quick response
- works well on water, low lubricity fluids
- quick, easy installation
- low cost

### 3.5.4 DESCRIPTION

ASA Bladder-type accumulators consist of a seamless cylindrical pressure vessel made of high-tensile steel.

The accumulator is subdivided into a gas and fluid side by an elastic bladder mounted in the interior of the vessel.

The bladder is charged with nitrogen to the specified gas charge pressure  $P_0$  by means of gas valve.

When the fluid is pressed into the accumulator, the gas in the bladder is compressed and hence the pressure increased. The gas volume reduces and on the fluid side, the fluid can flow into the accumulator. As soon as the pressure on the fluid side falls below the gas pressure, the accumulator is emptied.

Oil valve is provided in the oil port of the bladder-type accumulator and closes when the pressure on the gas side is higher than the one on the fluid side. This prevents draining of the bladder into the oil channel and thus the bladder from being destroyed.

When the minimum operating pressure is reached, a small oil volume is to be maintained between the bladder and the fluid volume (approx. 10% of the nominal capacity of the hydraulic accumulator), in order that the bladder does not hit the valve during every expansion process.

Gas valve consists of external caps, sealing cap, filling valve, gas valve body and rubber coated washer. These parts can be replaced separately.

The nameplate shows the technical data and features of the hydraulic accumulator.

### 3.5.5 ACCESSORIES

For support equipment, see Cap. 7

For gas side's safety equipment, see Cap. 8

For fluid side's safety equipment, see Cap. 9

For pre-loading and charging set, see Cap. 11

For other components, see Cap. 12

### 3.5.6 BLADDER-TEMPERATURE-LIQUID COMPATIBILITY

When selecting the accumulator variant, pay attention to the following non-binding notes with regard to hydraulic fluid, bladder material and the permissive temperature range. (see Section 1.5)

Code letter	Polymer	ISO	Temperature range (°C)	Some of the liquids compatible with the polymer
P	Standard nitrile (Perburan)	NBR	-20 ÷ +80	Aliphatic hydrocarbons (propane, butane, gasoline, oils, mineral greases, diesel fuel, fuel oil, kerosene), mineral greases and oils, HFA - HFB - HFC fluids, many dilute acids, alkalis, saline solutions, water, water glycol.
F	Low temperature nitrile	NBR	-40 ÷ +70	The same as with standard nitrile + a number of different types of Freon. (This contains less acrylonitrile than the standard and is therefore more suitable for low temperatures, but its chemical resistance is slightly lower).
H	Nitrile for hydrocarbons	NBR	-10 ÷ +90	Regular and premium grade slightly aromatic gasoline (and all the liquids for standard nitrile).
K	Hydrogenated nitrile	HNBR	-30 ÷ +130	The same as with standard nitrile but with excellent performance at high and low temperatures.
B	Butyl	IIR	-30 ÷ +100	Hot water up to 100°C, glycol-based brake fluids, many acids and bases, salt solutions, polar solvents such as alcohols, ketones and esters, polyglycol-based hydraulic fluids (HFC fluids) and bases of esters of phosphoric acid (HFD-R fluids), silicone oils and greases, Skydol 500 and 7000, resistance to ozone, aging and weathering.
E	Ethylene-Propylene	EPDM	-30 ÷ +100	Hot water up to 100°C, glycol-based brake fluids, many organic and inorganic acids, detergents, solutions of sodium and potassium, phosphate ester-based hydraulic fluids, (HFD-R), silicone oils and greases, many polar solvents (alcohol, ketones, esters), Skydol 500 and 7000, resistance to ozone, aging and weathering.
N	Chloroprene (Neoprene)	CR	-30 ÷ +100	Mineral oils of paraffin, silicone oils and greases, water and aqueous solutions, refrigerants (ammonia, carbon dioxide, Freon), naphthenic mineral oils, low molecular aliphatic hydrocarbons (propane, butane, fuel), brake fluids based on glycol, better resistance to ozone, weathering and aging compared to NBR rubber.
Y	Epichloridrin	ECO	-30 ÷ +110	Mineral oils and greases, aliphatic hydrocarbons (propane, butane and gasoline), silicone oils and greases, water at room temperature, resistance to ozone, aging and weathering.
V	Fluorocarbon	FPM	-10 ÷ +150	Mineral oils and greases, non-flammable fluids of HFD group, silicone oils and greases, animal and vegetable oils and greases, aliphatic hydrocarbons (gasoline, butane, propane, natural gas), aromatics hydrocarbons (benzene, toluene), chlorinated hydrocarbons (Tetrachloroethylene, carbon tetrachloride), fuel (regular, super and containing methanol), excellent resistance to ozone, weathering and aging.

For other hydraulic fluid and/or temperatures, please consult us.

3.5c

## 3.5.7 ORDER CODE

1	2	3	4	5	6	7-8	9	10	11	12	13	14	15	16	
ASA	15	P	4000	C	R	P5	V4	-	7	-	C	0	C	0	R250 / 435

<p><b>1 Series</b></p> <p>Bladder accumulator with ASME U-STAMP = ASA</p>	<p><b>16 Precharge pressure (bar)</b></p> <p>Standard 435 PSI = 0 ÷ 3600 PSI (30 bar)</p>
<p><b>2 Nominal capacity (gallons)</b></p> <p>1/4 gal (0.95 lt) = 1/4  1 gal (3.78 lt) = 1  2.5 gal (9.46 lt) = 2.5  5 gal (18.93 lt) = 5  10 gal (37.85 lt) = 10  15 gal (56.78 lt) = 15</p>	<p><b>15 Other variants</b></p> <p>See the table on front page</p>
<p><b>3 Bladder material</b></p> <p>Nitrile rubber (NBR) = P  Nitrile for low temp. = F  Nitril for hydrocarbons = H  Hydrogenated nitrile (HNBR) = K  Butyl (IIR) = B  Ethylene-propylene (EPDM) = E  Chloroprene (Neoprene) = N  Epichlorohydrin (ECO) = Y  Fluorocarbon (FPM) = V</p>	<p><b>14 Variants of gas side</b></p> <p>Standard = 0  Only cap in stainless steel = 1  Brass nameplate = 2  Other numbers/variants to be requested EPE</p>
<p><b>4 Max working pressure (PS)</b></p> <p>4000 PSI (275 bar) = 4000  (3000 only for the version with connection L or other pressure related to connections B or U)</p>	<p><b>13 Gas valve material</b></p> <p>Carbon steel = C  Nickel coated carbon steel 25 μ = N  Nickel coated carbon steel 40 μ = M  Stainless steel = X</p>
<p><b>5 Body material</b></p> <p>Carbon steel = C  Nickel coated carbon steel 25 μ = N  Nickel coated carbon steel 40 μ = M  Stainless steel = X  Rilsan coating = V</p>	<p><b>12 Variants of fluid side</b></p> <p>Standard = 0  Adapter in stainless steel (R) = 1  Button and spring in stainless steel = 2  Other numbers/variants to be requested EPE</p>
<p><b>6 Fluid port connection</b></p> <p>See the table on front page</p>	<p><b>11 Fluid valve material</b></p> <p>Carbon steel = C  Nickel coated carbon steel 25 μ = N  Nickel coated carbon steel 40 μ = M  Stainless steel = X</p>
<p><b>7-8 Dimension of the connection fluid or 7+8 table</b></p> <p>See the table on front page</p>	<p><b>10 Testing and certification</b></p> <p>ASME U-STAMP (ASME VIII div.1 appendix 22) = 7</p>
<p>Special variants upon request</p>	<p><b>9 Connection gas side</b></p> <p>Standard filling valve 5/8" UNF thread = V  Standard filling valve with 5/8" UNF thread in stainless steel = VX  Without filling valve (thread hole M12x1.5) = V0  Brass filling valve 1/4" BSP = V2  Filling valve 7/8" UNF = V4</p>

6	Fluid port connection
	For ASA 1/4÷15 gallons BSP ISO 228 with chamfer for OR (std) = <b>A</b>
	For ASA 1÷15 gallons Metric = <b>M</b>
	For ASA 1/4÷15 gallons NPT-F = <b>P</b>
	For ASA 1÷15 gallons internal thread SAE = <b>S</b>
	For ASA 1÷15 gallons adapter for flange SAE 3000 Psi = <b>L</b>
	For ASA 1÷15 gallons adapter for flange SAE 6000 Psi = <b>H</b>
	For ASA 1/4÷15 gallons flange ANSI = <b>B</b>
	For ASA 1/4÷15 gallons flange UNI = <b>B</b>
	For ASA 1/4÷15 gallons square flange = <b>Q</b>
	For ASA 1/4÷15 gallons adapter * = <b>R</b>
	* assembled on the fluid valve connection type A

15	Other variants
	Adapter + Burst disc set at xxx bar = <b>Rxxx</b> (see Section 8.2)
	Adapter + Safety valve, type VS224TX set at xxx bar = <b>Gxxx</b>
	Adapter + Needle Valve of 1/4" BSP = <b>EG2</b>
	Adapter + Stainless steel needle Valve of 1/4" BSP = <b>EG2X</b>
	Adapter + Excluding device with with full scale pressure gauge of xxx bar = <b>EMxxx</b>
	Adapter + Excluding device of 90° with full scale pressure gauge of xxx bar = <b>ELMxxx</b>
	Flushing with degree of contamination ≤ x = <b>Fx</b>
	75-80 μ thick. polyurethane paint with colour to be specified = <b>Wxxx</b>
	Off-shore paint with colour to be specified = <b>Zxxx</b>
	NORSOK System 1 paint with colour to be specified = <b>K1</b>
	NORSOK System 7 paint with colour to be specified = <b>K7</b>
	other variants upon request

7	Dimension of the fluid connection
	For the type of connection:
	A (1/4 gallon) 1" 1/4 = <b>7</b> (2.5 ÷15 gallons) 2" = <b>9</b>
	M (1/4 gallon) 40x1.5 = <b>40/1.5</b> (2.5 ÷15 gallons) 50x1.5 = <b>50/1.5</b>
	P (1/4 gallon) 1" 1/4 = <b>7</b> (2.5 ÷15 gallons) 2" = <b>9</b>
	S (1/4 gallon) 1" 5/8 12UN = <b>1 5/8-12</b> (2.5 ÷15 gallons) 1" 7/8 12UN = <b>1 7/8-12</b>
	L (1/4 gallon) 1" 1/4 SAE3000 = <b>7</b> (Pmax = 3000) (2.5 ÷15 gallons) 1" 1/2 SAE 3000 = <b>8</b> (Pmax = 3000) 2" SAE 3000 = <b>9</b>
	H (1/4 gallon) 1" 1/4 SAE6000 = <b>7</b> (2,5 ÷15 gallons) 1" 1/2 SAE 6000 = <b>8</b> 2" SAE 6000 = <b>9</b>
	<b>B = DIMENSION/RATING</b> Former. 1" ANSI 600 = 1/600 (Pmax =600)
	<b>U = DN/PN</b> Former. DN50 PN100 = 50/1450 (Pmax =1450)
	Q (1/4 gallon) 1" 1/4 = <b>7</b> (2.5 ÷15 gallons) 2" = <b>9</b>
	R Blind = <b>0</b> R internal thread = <b>G*</b> BSP ISO 228 = <b>P*</b> NPT-F = <b>N*</b>
	SAE = <b>S*</b> Metric = <b>M*</b>
	*Variant in table 8

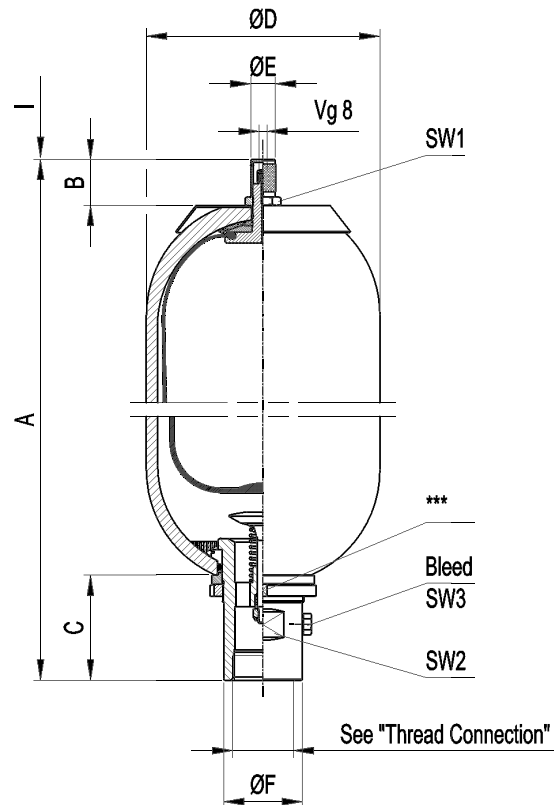
8	Dimension
1/8"	= <b>1</b>
1/4"	= <b>2</b>
3/8"	= <b>3</b>
1/2"	= <b>4</b>
3/4"	= <b>5</b>
1"	= <b>6</b>
1" 1/4"	= <b>7</b>
1" 1/2"	= <b>8</b>

Dimension in inch - No.of pitch for inch

Diameter/pitch

Special variants upon request

## 3.5.9 DIMENSIONS



3.5da

Acc. type ASA in carbon steel	Nominal gas volume gallons	Effective gas volume litres	Working pressure bar	Max.diff. pressure P2-P1 psi	Flow rate l/min	Max.comp. ratio P0/P2	A mm	B mm	C mm	Ø D mm	Ø E mm	Ø F mm	I mm	SW 1 mm	SW 2 mm	SW 3 mm	Bleed	Acc. dry weight kg
ASA 1/4	1/4	1	4000	1450	300	1:4	272 ± 5	26	52	114	20	36	140	24	32	4*	M5	5.2
ASA 1	1	3,5	4000	1450	600	1:4	391 ± 10	47	65	168	25	53	140	32	50	4*	M5	13
ASA 2,5	2,5	9,1	4000	1450	1000	1:4	544 ± 10	47	101	229	25	77	140	32	70	19**	1/4" BSP	37
ASA 5	5	18,2	4000	1450	1000	1:4	848 ± 10	47	101	229	25	77	140	32	70	19**	1/4" BSP	58
ASA 10	10	33,5	4000	1450	1000	1:4	1382 ± 10	47	101	229	25	77	140	32	70	19**	1/4" BSP	96
ASA 15	15	50	4000	1450	1000	1:4	1903 ± 10	47	101	229	25	77	140	32	70	19**	1/4" BSP	133

\* Allen wrench

\*\* Ex. wrench

\*\*\* see chapter 3.5.12.2 table 3.5ab

3.5db

\* The maximum differential pressure is the maximum allowable difference between the maximum pressure and the minimum working pressure (P2-P1) to have an infinite life cycle of the accumulator (greater than 2,000,000 cycles).

\*\* Flow rate measured using mineral oil with viscosity of 36 cSt at 50°C and  $\Delta P = 5$  bar

## 3.5.9.1 STANDARD THREAD CONNECTIONS

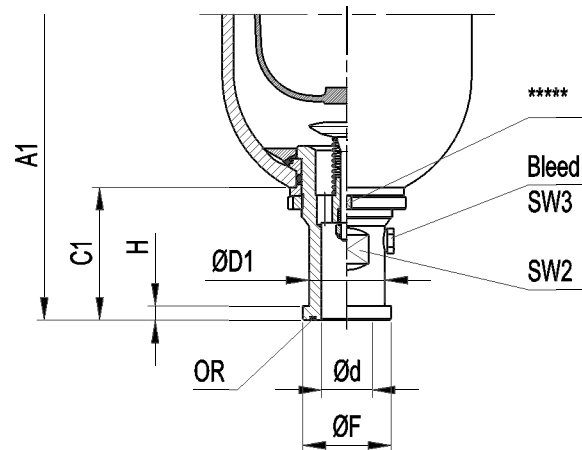
Dimensions	Connection Type	Accumulator type	Complete spare valve order code	Ød	ØD mm	ØF mm	H mm
	<b>A</b> BSP ISO 228 with chamfer for OR	ASA 0,2	-	-	-	-	-
		ASA 0,7	V 2023-A5-**/*	3/4" BSP	28,8	36	19
		ASA 1	V 2024-A5-**/*				
		ASA 1,5					
		ASA 3	V 2025-A7-**/*	1" 1/4 BSP	46	53	25
		ASA 5	V 2044-A7-**/*				
		ASA 10 ÷ 55	V 2064-A9- **/*	2" BSP	63,35	77	28
	<b>G</b> BSP ISO 228	ASA 0,2	V 2004-G4-**/*	1/2" BSP	-	26	15
		ASA 0,7	-	-	-	-	-
		ASA 1	-	-	-	-	-
		ASA 1,5	-	-	-	-	-
		ASA 3	-	-	-	-	-
		ASA 5	-	-	-	-	-
		ASA 10 ÷ 55	-	-	-	-	-
	<b>M</b> Metric	ASA 0,2	-	-	-	-	
		ASA 0,7					
		ASA 1					
		ASA 1,5					
		ASA 3	V 2025-M40x1.5-**/*	M40x1,5	-	53	25
		ASA 5	V 2044-M40/1.5-**/*				
		ASA 10 ÷ 55	V 2064-M50/1.5-**/*	M50x1,5	-	77	28
	<b>P</b> NPT-F	ASA 0,2	-	-	-	-	
		ASA 0,7	V 2023-P5-**/*	3/4" NPT-F	-	36	Thread plug gage
		ASA 1	V 2024-P5-**/*				
		ASA 1,5					
		ASA 3	V 2025-P7-**/*	1" 1/4 NPT-F	-	53	
		ASA 5	V 2044-P7-**/*				
		ASA 10 ÷ 55	V 2064-A9- **/*	2" NPT-F	-	77	
	<b>S</b> SAE thread	ASA 0,2	-	-	-	-	
		ASA 0,7	V 2023-S1 /16-12-**/*	1" 1/16 12 UN	29,16	36	19
		ASA 1	V 2024-S1 /16-12-**/*				
		ASA 1,5					
		ASA 3	V 2025-S1 5/8-12-**/*	1" 5/8 12 UN	43,5	53	23
		ASA 5	V 2044-S1 5/8-12-**/*				
		ASA 10 ÷ 55	V 2064-S1 7/8-12-**/*	1" 7/8 12 UN	49,84	77	26

\* Gasket material

\*\* Component material

3.5dc

## 3.5.9.2 ADAPTER FOR FLANGE SAE 3000/6000 PSI (L/H)



3.5de

Acc. type ASA in carbon steel	Dim.	A1 mm	C1 mm	SW2 mm	SW3 mm	Bleed	Ød mm	SAE 3000 (L)				SAE6000 (H)				OR ( Included )	Acc. dry weight kg
								Spare valve order code	ØD1 mm	ØF mm	H mm	Spare valve order code	ØD1 mm	ØF mm	H mm		
ASA 1/4	-	-	-	-	-	-	-	-	-	-	-	-	-	-	-	-	
ASA 1	1"	493 ± 10	100	38	4***	M5	31	V 2044-L7-***	43	50,8	8	V 2044-H6-***	38	47,6	9,5	0010R4131-*	13
	1 1/4"	482 ± 10	89	38	4***	M5	31	V 2044-L7-***	43	50,8	8	V 2044-H7-***	44	53,3	10,3	0010R4150-*	
ASA 2.5	1 1/2"	583 ± 10	115	42	19****	1/4"	32	V 2064-L8-***	50	60,3	8	V 2064-H8-***	51	63,5	12,5	0010R4187-*	37
	2"			55	BSP	45	V 2064-L9-***	62	71,5	9,5	V 2064-H9-***	67	77,6	0010R4225-*			
ASA 5	1 1/2"	733 ± 10	115	42	19****	1/4"	32	V 2064-L8-***	50	60,3	8	V 2064-H8-***	51	63,5	12,5	0010R4187-*	58
	2"			55	BSP	45	V 2064-L9-***	62	71,5	9,5	V 2064-H9-***	67	77,6	0010R4225-*			
ASA 10	1 1/2"	893 ± 10	115	42	19****	1/4"	32	V 2064-L8-***	50	60,3	8	V 2064-H8-***	51	63,5	12,5	0010R4187-*	96
	2"			55	BSP	45	V 2064-L9-***	62	71,5	9,5	V 2064-H9-***	67	77,6	0010R4225-*			
ASA 15	1 1/2"	1058 ± 15	115	42	19****	1/4"	32	V 2064-L8-***	50	60,3	8	V 2064-H8-***	51	63,5	12,5	0010R4187-*	133
	2"			55	BSP	45	V 2064-L9-***	62	71,5	9,5	V 2064-H9-***	67	77,6	0010R4225-*			

\* Gasket material

\*\* Component material

\*\*\* Allen wrench

\*\*\*\* Ex. Wrench

\*\*\*\*\* see chapter 3.5.12.2 table 3.5ab

3.5df



## 3.5.9.3 FLANGE CONNECTION TYPE ANSI / UNI DIN (B/U)

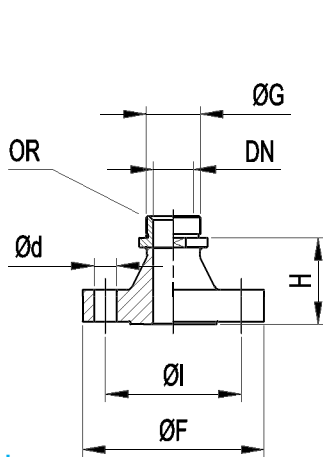


Fig. I

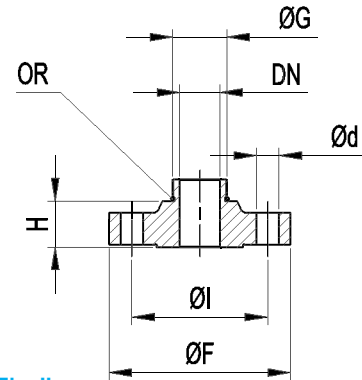
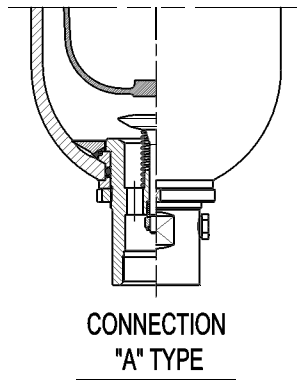


Fig. II

3.5ea

	Accumulator type	Spare flange order code	Ref. Directive		DN mm	PN bar	Fig.	Ø F mm	Ø I mm	Ø d mm	N° Holes	H mm	G BSP	OR (Included)
			UNI	DIN										
U (UNI-DIN)	ASA 1/4	F 2205 - ** / *	2284	2635	20	40	II	105	75	14	4	23	3/4"	0010R2093-*
		F 2206 - ** / *	6086	2628		250		135	95	18	4	45		
	ASA 1	F 2211 - ** / *	2284	2635	25	40	I	115	85	14	4	51	1 1/4"	0010R3150-*
		F 2212 - ** / *	6086	2628		250		150	105	22	4	76		
		F 2215 - ** / *	2284	2635	32	40	II	140	100	18	4	22		
		F 2216 - ** / *	6086	2628		250		165	120	22	4	55		
	ASA 2.5 + 15	F 2221 - ** / *	2282	2633	25	16	I	115	85	14	4	49	2"	0010R3218-*
		F 2222 - ** / *	2284	2635		40		115	85	14	4	51		
		F 2223 - ** / *	6086	2628		250		150	105	22	4	76		
		F 2227 - ** / *	2284	2635	40	40	I	150	110	18	4	56		
		F 2228 - ** / *	6086	2628		250		185	135	25	4	91		
		F 2231 - ** / *	2282	2633	50	16	II	165	125	18	4	23		
		F 2232 - ** / *	2285	2636		64		185	135	22	4	40		
		F 2233 - ** / *	6086	2628		250		200	150	25	8	61		

\* Gasket material

\*\* Flange material

Others size on request

3.5eb

	Accumulator type	Spare flange order code	Ref. Directive	DN inch	PN lbs	Fig.	Ø F mm	Ø I mm	Ø d mm	N° Holes	H mm	G BSP	OR (Included)
F 2208 - ** / *	B16.5	1500	130	88,9	22,5	4	59						
ASA 1	F 2213 - ** / *	B16.5	1"	300	I	123,5	88,9	22,5	4	73	1 1/4"	0010R3150-*	
	F 2214 - ** / *	B16.5		1500		149,5	101,6	25,4	4	90			
	F 2217 - ** / *	B16.5	1 1/4"	300	II	133,3	98,4	19	4	44			
	F 2218 - ** / *	B16.5		1500		159	111,1	25,4	4	58			
ASA 2.5 + 15	F 2225 - ** / *	B16.5	1"	300	I	123,5	88,9	19	4	73	2"	0010R3218-*	
	F 2226 - ** / *	B16.5		1500		149,5	101,6	25,4	4	90			
	F 2229 - ** / *	B16.5	1 1/2"	300	I	155,6	114,3	22,2	4	79			
	F 2230 - ** / *	B16.5		1500		178	123,8	28,5	4	100			
	F 2235 - ** / *	B16.5	2"	400	II	165	127	19	8	55			
	F 2236 - ** / *	B16.5		1500		216	165,1	25,4	8	83			

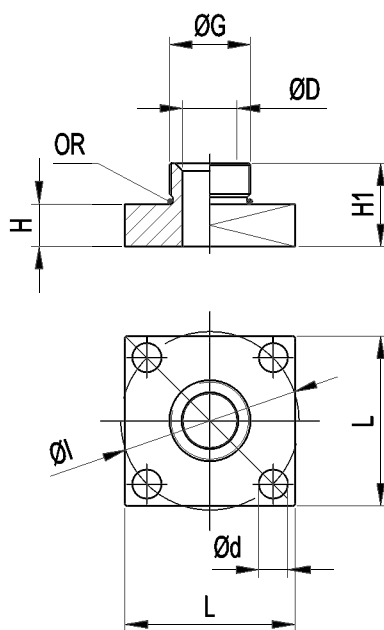
\* Gasket material

\*\* Flange material

Others size on request

3.5ec

3.5.9.4 SQUARE FLANGE CONNECTION



3.5fa

Accumulator type	Spare square flange order code	α G BSP	Ø D mm	L mm	Ø l mm	H mm	Ø d mm	H 1 mm	Weight Kg	OR (Included)
ASA 3 - 5	F 2454 A7 - ** / *	1" 1/4 BSP	26	100	105	25	17.5	49	0,8	0010R3150 - *
ASA 10 ÷ 55	F 2455 A9 - ** / *	2" BSP	32						0,9	0010R3218 - *

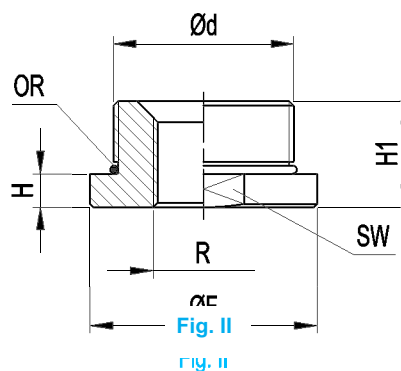
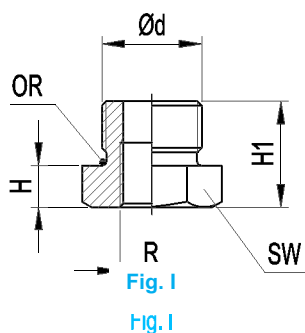
\* Gasket material

\*\* Square flange material

Weight indicated only for blind version

3.5fb

3.5.9.5 ADAPTERS



3.5fc

Accumulator type	Order code	Ød Acc. connection	R*** Out connections (0 = blind)	Fig.	SW mm	Ø F mm	H mm	H 1 mm	OR (Included)	Weight Kg
ASA 0,7 - 1 - 1,5	R - A5*** - ** / *	3/4" BSP	1/8" + 3/8" BSP - NPT - BSPT	I	32	-	11	28	0010R2093 - *	0,14
			1/2" BSP - NPT - BSPT	I			28	45		0,27
ASA 3 - 5	R - A7*** - ** / *	1" 1/4 BSP	1/8" + 1" BSP - NPT - BSPT	II	48	53	11	32	0010R3150 - *	0,41
ASA 10 ÷ 55	R - A9*** - ** / *	2" BSP	1/8" + 1" 1/2 BSP - NPT - BSPT	II	70	75	11	35	0010R3218 - *	0,86

\* Gasket material

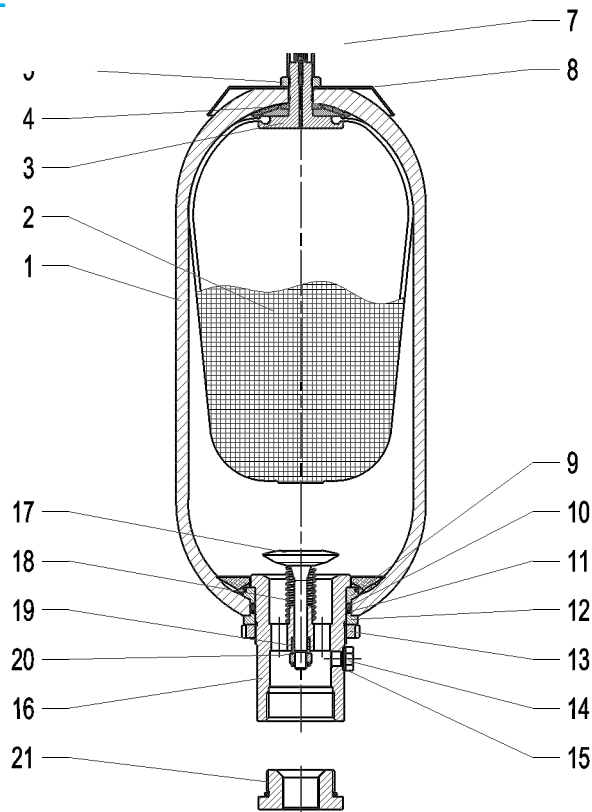
\*\* Adapter material

\*\*\* See chapter 3.5.7 table 7 - 8

Weight indicated only for blind version

3.5fd

### 3.5.10. SPARE PARTS CODE



3.5ga

Item	Description	Q.ty	Type		
			ASA 1/4	ASA 1	ASA 2.5 ÷ 15
1	Accumulator shell	1	Not supplied as spare part		
2	Bladder	1	S1* - 0	S5* - 0	S10 ÷ 55* - 0
3	Gas valve body	1	B10110 - **	B10259 - **	B10330 - **
4	Rubber-coated washer	1	B10106 - ** / *	B10205 - ** / *	B10331 - ** / *
5	Gas valve looknut	1	B10023 - **	B10108 - **	
6	Protection cap	1	B10337/00 - ** / *	B10135 - **	
7	Valve mechanism	1	V 2070 - ** / *	V 2069 - ** / *	
8	Name plate	1	D10300B-A	D10300C-A	D10300D-A
9	Retaining ring	1	B10127 - ** / *	B10222 - ** / *	B10317 - ** / *
10	"O" ring	1	0010R4150 - *	0010R6212 - *	0010R0181 - *
11	Supporting ring	1	B10133-T	B10227-T	B10320-T
12	Space ring	1	B10120 - **	B10223 - **	B10319 - **
13	Fluid port ring nut	1	B10122 - **	B10217 - **	B10321 - **
14	Bleed screw	1	B10128 - **		B10316A - **
15	Seal ring	1	B10129-R		0010T14-1/4 - *
16	Fluid port body std. version	1	B10115 - *** - **	B10144 - *** - **	B10311 - *** - **
17	Poppet	1	B10111 - **	B10221 - **	B10310 - **
18	Spring	1	B10112 - **	B10149 - **	B10322 - **
19	Brake bushing	1	B10113 - **	B10226 - **	B10314 - **
20	Selflocking nut	1	B10116 - **	B10211 - **	B10315 - **
21	Adapter	1	See chapter 3.5.9.5 ADAPTER		
Standard gas valve ass. (parts 3 ÷ 7)		1	V 2020 - ** / *	V 2046 - ** / *	V 2085 - ** / *
Standard fluid port ass. (parts 9 ÷ 20)		1	V 2024 - *** - ** / *	V 2044 - *** - ** / *	V 2064 - *** - ** / *
Gasket sets		1	B2380* { 0010R2015* 0010R4150* B10133-T B10129-R 0010R2083* }	B2381* { 0010R2015* 0010R6212* B10227-T B10129-R 0010R3150* }	B2382* { 0010R2015* 0010R0181* B10320-T 0010T14-1/4* 0010R3218* }

\* Gasket material

\*\* Component material

\*\*\* See chapter 3.5.8 table 6 - 7

3.5gb

### 3.5.11 COMMISSIONING AND MAINTENANCE

#### Delivery condition

Bladder accumulators type ASA are delivered pre-charged with nitrogen at a pressure of 435 PSI or at value of pressure required at time of order. The pre-charge value is still on the nameplate of the accumulator.

Depending on the size and quantity ordered, the diaphragm accumulators are shipped in boxes or in cartons or on pallets, or wooden boxes on request. Unless otherwise required, certificates and documentation are provided together with the accumulators.

#### Handling

The original packaging is suitable for handling and general storage. Where necessary, you should use suitable lifting equipment to support the weight of the accumulators.

Protect from impact, however, the packaging and handle it with care.

#### Storage

During storage in the warehouse, leave the product in its original packaging, keeping it away from heat sources and naked flames. The storage temperature should be between +10 and +40°C.

In addition to six months of storage, the precharge pressure must be to two bar and make sure that inside there is lubrication fluid compatible with bladder polymer.

After six years of storage, it is essential to proceed with the replacement of all elastomeric parts before the commissioning.

#### Marking on the nameplate of the accumulator

The accumulator will be supplied with the following data stamped on the nameplate:

- Logo, name and country of the manufacturer
- Month/year of production
- Product code
- Serial number
- Maximum PS pressure and PT test pressure in Psi
- Min. and max. TS working temperature in Fahrenheit
- Volume V in gallons
- ASME U-stamp
- Pre-charge pressure in Psi

#### It is strictly forbidden to:

- weld, rivet or screw any item of the accumulator
- engrave or permanently stamp the surfaces of the accumulator shell and / or carry out other operations that could affect or change the mechanical properties of the accumulator
- use the accumulator as a structural element: it should not be subjected to stresses or loads
- change the data of the nameplate and / or accumulator without the permission of the manufacturer
- use a (dangerous) fluid of Group 1 with equipment designed and manufactured for fluids of Group 2.

#### Installation

Before installation, you must perform a visual check to verify that the accumulator has not suffered any damage during shipping / handling.

Verify that the requested type matches with what stamped on the nameplate. We recommend using the accumulator with a suitable security valve (see Chapter 8) or a security lock-off BS type (see Chapter 9).

This device provides user and equipment protection against possible damage caused by pressure surges, and also makes the maintenance of the accumulator easier, so facilitating the interception and the discharge. Provide for a clearance of 200 mm above the gas pre-charge valve to allow access to and control of the pre-charge equipment (see Chap.11.1). The accumulators type ASA may be installed in any position from horizontal to vertical (preferably with the pre-charge valve at the top), and the nameplate must be visible. Proceed to the assembly so that no abnormal force affects the pipes connected directly or indirectly to the accumulator, so we recommend the use of supporting components and also fastening (please see Chapter 7) to avoid the transmission of vibrations. If there are not used safety EPE blocks, make sure that the accumulator is connected to the hydraulic circuit by suitable connection devices. Make sure the fluid is compatible with the elastomer of the bladder. Check that the max. allowed accumulator pressure is equal to or greater than that of the hydraulic circuit and that the temperature during operation is maintained within the range expected.

Make sure the fluid does not contain contaminants and/or abrasive.

#### Pre-charge of nitrogen

Normally, the bladder accumulators are delivered pre-charged with pressurized gas. The pre-charge of gas can be controlled and / or adjusted before or after installation of the accumulator in the hydraulic circuit.

For the pre-charge, use only industrial dry nitrogen with a purity of min. 99%. It is important to use the nitrogen from a cylinder equipped with a pressure reducing valve (see Chap.11.3).

Use the EPE pre-charge and charging set type PC to check the charging pressure Calculated Against the pressure, and adjust if necessary. If the pre-charge pressure is lower than required, connect the inflation tube on one side and the other of the equipment.

Connect it to the cylinder of nitrogen or to the pressure reducer. Slowly enter the nitrogen in the accumulator until reaching a pressure slightly higher than that set (+ 10 ÷ 15%).

Close the cylinder and remove the connecting pipe from the equipment; wait until the gas temperature has stabilized (2 hours) and calibrate the pressure, discharging the excess gas.

Make sure that the gas valve is not subject to losses and, if necessary, use soap and water.

Tighten the protective caps manually.

#### Hydraulic pressurization

- Check that the pre-charge pressure is adequate for the application
- Ensure that the hydraulic pressure never exceeds the max. (PS) allowed and shown on the accumulator shell.

To avoid this risk, use a safety item (see Chap. 9).

#### Maintenance

- Periodically check the pre-charge pressure of the gas: after the commissioning, check after 2-3 weeks of operation and if there were no leaks, repeat the operation after 3 months; if the pressure at the same temperature was stable, repeat the test at annual intervals.

For heavy-duty applications, check the pre-charge every 6 months.

- Periodically (annually) carry out a visual inspection of the accumulator in order to detect any early signs of deterioration such as corrosion, deformation, etc.

- Comply with the requirements of the regulations concerning the verification of the functionality of the equipment according to the country of installation of the accumulator.

## Repair

If for failure, scheduled check or retest it is necessary to remove the accumulator from the system, prior to removal, isolate the accumulator from the installation and discharge pressure of the liquid.

All bladder EPE accumulators of the AS and ASP series may be repaired. It may consist in replacing the bladder, the seals, the pre-charge valve and/or the parts of the gas and fluid valve.

For reasons of functionality and security, it is recommended to use only original spare parts.

## Disassembly

- Fasten the accumulator firmly in a vice or on a bench in a horizontal position, taking care not to damage the outer surface.
- If you have not already carried out, unscrew the cap nut first and then the valve cap of the gas valve.
- Allow gas escapes from the bladder with the help of the check valve until a pressure of 0 is displayed. Check if the bladder is now de-pressurizing an open valve.
- Remove gas valve, fastening the nut on the gas valve and remove the nameplate
- Unscrew the vent screw
- Using a suitable wrench, unscrew the fluid valve (anti-extrusion plate)
- Push enough oil valve into the housing until the sealing ring and the washer can be removed.
- Remove the sealing ring and the washer
- Remove the retaining ring; take it out, by carefully pushing the ring together.
- Remove the oil valve from the container
- Fold bladder somewhat and withdraw by turning it slightly

## Refitting

Tightening torques in Nm		
	1/4 gallon	2.5÷15 gallons
Fluid port ring nut	200 +50	450 +50
Bleed screw	5 +1	30 +10
Gas valve locknut	100 +20	150 +30
Filling valve V - VX - V2	30 +5	30 +5
Valve insert V4	0.3 +0.2	0.3 +0.2

3.5gd

- Cleaning and testing: clean all metallic parts on accumulator using an organic reducer – visual inspection of oil valve parts (valve tappet, spring, nut, damping screw) – check valve for sluggishness – Clean bladder, i.e. using isopropanol. Visual inspection of bladder for faults – inner inspection of container for signs of corrosion. In event of coated containers, check the condition of the coating. Replace the parts deemed to be bad; the o-rings must always be replaced (see spare parts Section 3.5.8).
- Drain air from bladder by pressing together
- Carefully moisten the inside of the bladder and the container with used medium (roll container)
- Reinstall according to this sequence: o-ring, washer and spacer sleeve.
- Screw the slotted nut and centre the parts on the oil valve by using a plastic hammer
- Bleed screw with sealing ring
- Mount the bleed screw with its sealing ring
- Tighten the hexagon nut SW1 on the gas valve
- Mount the filling valve with tightening torques, see Table 3.5gd.

## Pre-charge

- Screw the pre-charge PC equipment on the gas valve.
- Connect the equipment to the cylinder of nitrogen or to the pressure reducer with the inflation tube.
- Slowly enter the nitrogen in the accumulator until reaching a pressure slightly higher than the set value (+ 10 ÷ 15%).
- Close the cylinder and remove the connecting pipe from the equipment.
- Wait until the gas temperature has stabilized (2 hours).
- Calibrate the pressure discharging the excess gas.
- Make sure that the gas valve is not subject to losses and, if necessary, use soap and water.
- Tighten the protective caps manually.

## Demolition and recycling of the accumulator

Before accumulator demolition or recycling, you should always discharge completely the pre-charge pressure and remove the gas valve. If needed, proceed decontaminating in relation to the fluid used prior to demolition.

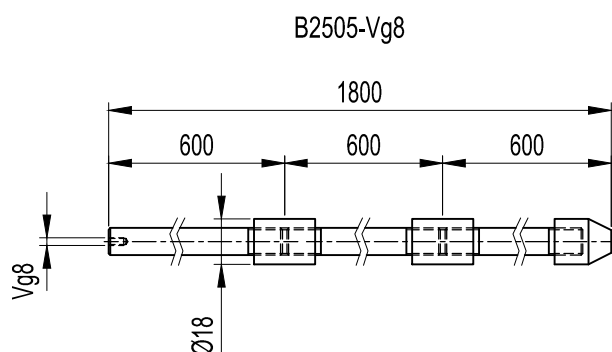
### 3.5.12 REPAIR TOOLS

#### 3.5.12.1 BLADDER PULL ROD

The pull rod screwed to the gas valve of the bladder for easy assembly into shell during reassembly. Pull rod is complete with fitting for EPE gas valve and 3 extension segments to accommodate all size of accumulators.

Code for complete kit: **B2505-Vg8**

#### Dimension



#### 3.5.12.2 SPANNER WRENCH

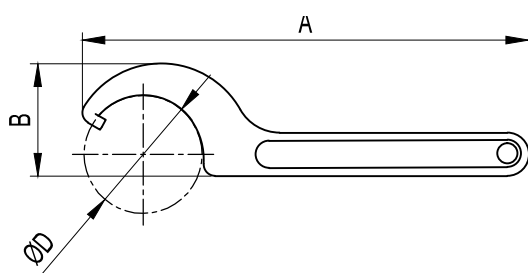
Fits all standard size bladder accumulator. It is used to remove or install lock nut on fluid port assembly.

0,7÷1,5 gal code **2506/58**

3÷5 gal code **2506/68**

10÷55 gal code **2506/105**

#### Dimension



CODE	A	B	ØD	For Accumulator
B2506/58	241	45	58	1/4 gal
B2506/68	241	43	68	1 gal
B2506/105	336	82	105	2.5 ÷ 15 gal

3.5ab

#### 3.5.12.3 LIFTING HOOK

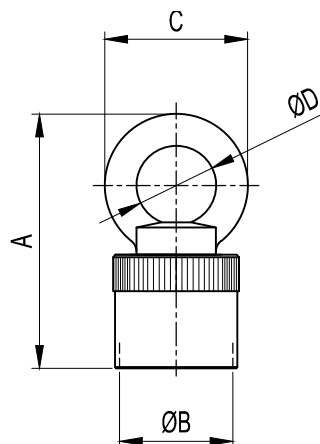
To be used for the safe lifting of mounted accumulators:

For accumulators 0,7÷5 lt (M22x1,5) code **B2507/2**

For accumulators 10÷55 lt (M50x1,5) code **B2507/5**

For accumulators V4 (7/8" UNF) code **B2507/7**

#### Dimension



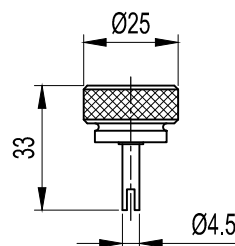
CODE	A	ØB	C	ØD	For Accumulator
B2507/2	100	M22x1.5	63	35	1/4 gal
B2507/5	112	M50x1.5	63	35	1 gal
B2507/7	100	7/8" UNF	63	35	2.5 ÷ 15 gal

#### 3.5.12.4 CORE TOOL

The core tool is used to remove and reinstall the valve core type V4.

Code **B2508**

#### Dimension



3.5ad

Reproduction is forbidden.

In the spirit of continuous improvement, our products may be changed.