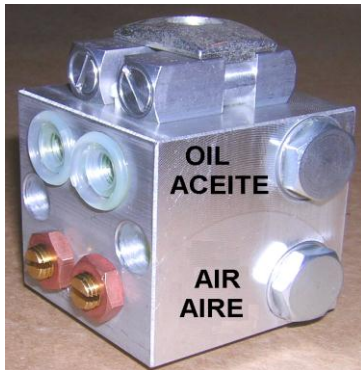
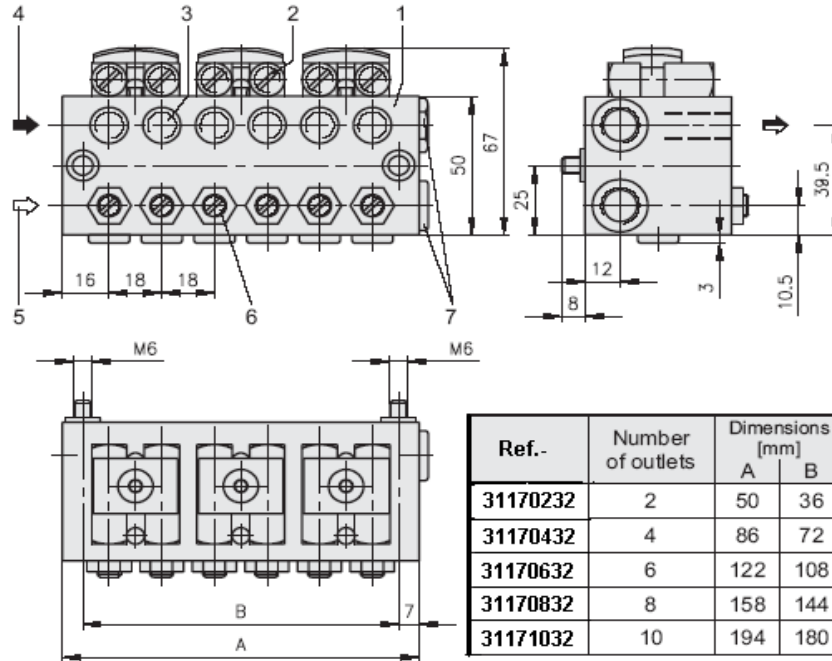




DOSING VALVES AIR / OIL Single Line

Ref.
3117__32

Sheet 1/2



Use:

Air oil single line lubrication system with decompression, suitable for installations with light oils, applied in high speed bearings

Technical data:

Operating pressure air
 max.: 10 bar
 min.: Outlet pressure + 1 bar

Operating pressure oil
 max.: 45 bar
 min.: Outlet pressure + 20 bar

Relief pressure oil:
 Medium: < 1,2 bar
 Mineral oil

Viscosity: up to 3000 cSt.

Temperature range
 with gasket material
 Buna : -20 ... +80 °C
 Viton: -20 ... +160 °C

Take into account room temperature with oil viscosity is 3000 cSt.

At 5° C, can be used oil
ISO VG 100

N° OUTLETS	VOL. PER POINT CM3	GASKET MAT. TEMP. MAX.
2	0	BUNA (<80°C)
4	0.022 A	
6	0.034 B	VITON (<150°C)
8	0.057 C	
10	0.110 D	
	0.230 E	



**DOSING VALVES AIR / OIL
Single Line**

Ref.
3117__32

Sheet 2/2

Purchase designation:
3117__32 / _ / _ / _ / _ /...../_

Purchase example:

Air / Oil dosing valve model 3117__32 with 4 outlets and metering volume per points of 22, 57, 110 & 22 mm³.

Purchase designation: 31170432 / A / C / D / A

Purchase example with one outlet plugged:

If any outlet is not needed, can be provided with a dummy element and outlet orifice is plugged. For purchase designation a "0" must be indicated in outlet that no flow is required.

Example: Air / oil dosing valve model 3117__32 with 5 outlets (6 outlets model with one plugged outlet) and metering volume per points of 22, 22, 230, 34 & 57.

Purchase designation: 31170632 / A / A / E / B / C / 0

**SPECIAL CONSTRUCTION WITH OUTLET PORTS AT THE BOTTOM
OF THE AIR / OIL BLOCK**

In special execution, air / oil blocks can be modified to have the outlet ports at the bottom side.

Block reference change to 3117__30.

Example: Air / oil dosing valve model 3117__30 with 6 outlet ports at the bottom and metering volume of 230 mm³ each point:

Purchase designation: 31170630 / E / E / E / E / E / E.