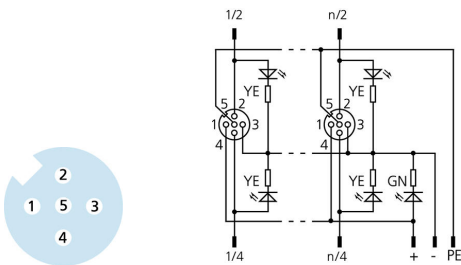
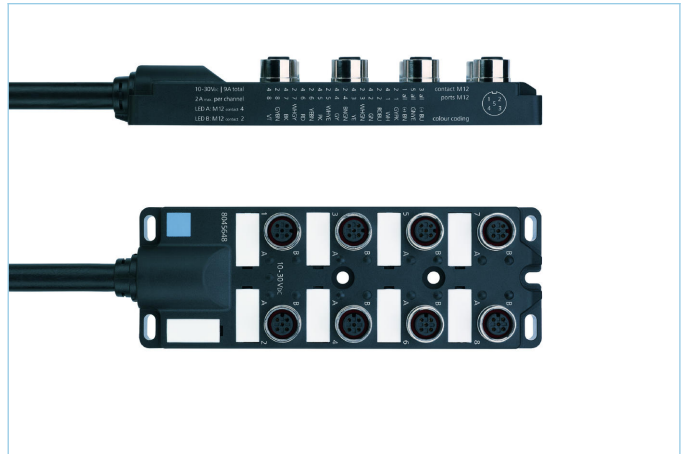
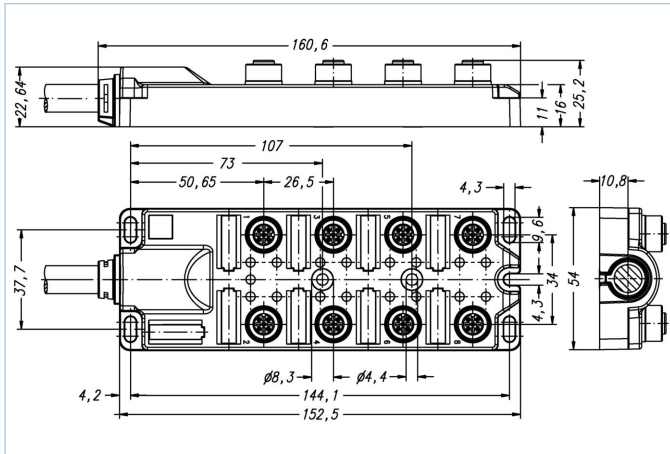


### I/O-junction, M12x1, Cable



#### Product data

Item description	8I/OM12-5P3C-2/S370
Item-No.	8045648
Length	2m
Customs tariff-No.	85444290
Step-File	8IOM12-5P3C.stp
EAN	4047106004392

Technical data	
I/O-junction	8-way, with cable
I/O-slot	female, M12x1
Number of pins	4+PE
Coding	A
Rated voltage	30V
Current load (at 40°C)	2A
Total current load	12A
Insulation resistance	≥10 <sup>9</sup> Ω
Resistance	≤ 5mΩ
Ambient temperature product	-30°C...+90°C
Number of LEDs	17
Number of I/O-slots	8
Circuit logic	pnp
Signal status-indicator	LED YE
Operating voltage-indicator	LED GN
Contact material	Metal, CuZn, gold-plated
Contact-carrier material	Plastic, PA, BK
Sealing (female) material	FPM/FKM
Housing material	Plastic, PA, BK
Connecting type	Fixed cable connection
Thread insert material	Metal, CuZn
Standards	IEC 61076-2-101
Degree of protection (mounted)	IP65, IP67
Mechanical life-cycle	>100 mating cycles
Degree of pollution	3
Cable	<b>S370, PUR, UL</b>
<p>Flexible, silicone- and halogen-free control line with high mechanical strength. The cable is chemicals, hydrolysis-, and microbes- resistant. The drag-chain application is possible at a bending radius of minimum 10 x d. Due to its weld-field immunity, the cable is very well suited for the flexible application in robotics, machine-tool, and metal-cutting production. The cables meet the UL and CSA (UL10493/20549; cULus) requirements.</p>	
Outer diameter of jacket	9,7 mm
Cable-jacket material	PUR
Jacket color	black, similar RAL9005
Wire cross-section	16 x 0.34 mm <sup>2</sup> + 3 x 1 mm <sup>2</sup>
Wire insulation material	PP
Wire colors	VT, RD, GY, GN, BK, WH, PK, YE, RDBU, GYPK, WHGN, WHYE, WHGY, YEEN, BNGN, GYBN, BN, BU, GNYE
Bending radius (repeated)	min. 10 x Ø-cable
Temperature range (repeated)	-5°C...+80°C
Temperature range (fixed)	-40°C...+80°C
Halogen-free	Yes
Special features	flame retardant, LABS free, RoHs compliant, drag chain-adapted, halogen free
Accessories	Web-Link
Safety-stopper, M12x1	<a href="https://www.escha.net/en/search?sSearch=8000004">https://www.escha.net/en/search?sSearch=8000004</a>
Labels, I/O-junction	<a href="https://www.escha.net/en/search?sSearch=8015002">https://www.escha.net/en/search?sSearch=8015002</a>

**Allocation chart**

I/O	1		2		3		4		5		6		7		8		all (+)	all (-)	all (FE)
Pin	2	4	2	4	2	4	2	4	2	4	2	4	2	4	2	4	1	3	5
Cable	GY/PK	WH	RD/BU	GN	WH/GN	YE	BN/GN	GY	WH/YE	PK	YE/BN	RD	WH/GY	BK	GY/BN	VT	BN	BU	GN/YE