

# ALULED IP66/IP67

WHITE, BLUE AND RGB  
LED MODULES  
IN FLAT ALUMINIUM PROFILE



## ALULED IP66/IP67

AluLED IP66/IP67 is ideal for outdoor protected applications under humid conditions (excluding direct UV exposure) and the slim and flat design is extremely flexible for low profile lighting design mounting.

A key advantage of AluLED is the extremely slim and flat design, which makes it suitable for illuminating complex structures or places where space is too limited to permit traditional light sources to be installed.

### Typical applications

- Outdoor protected border lighting
- Outdoor protected architectural illumination
- Outdoor protected illuminated path markings
- Bathrooms and rooms with high humidity
- Refrigerated food counters

### AluLED IP66/IP67

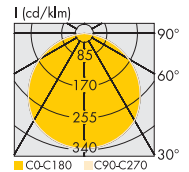
- **PLUG & PLAY**
- **SUITABLE FOR PROTECTED OUTDOOR APPLICATIONS**
- **SLIM AND FLAT DESIGN**
- **INTEGRATED HEAT SINK**
- **3 YEARS WARRANTY**

Further infos see [www.vossloh-schwabe.com](http://www.vossloh-schwabe.com)

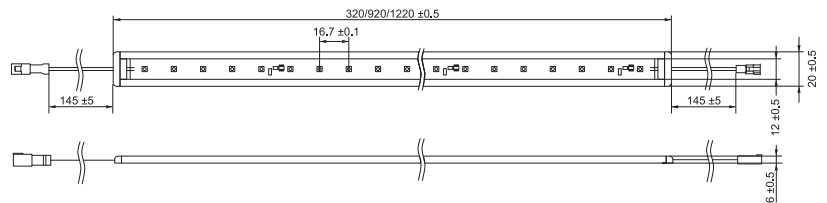
## AluLED IP66/IP67

### Technical notes

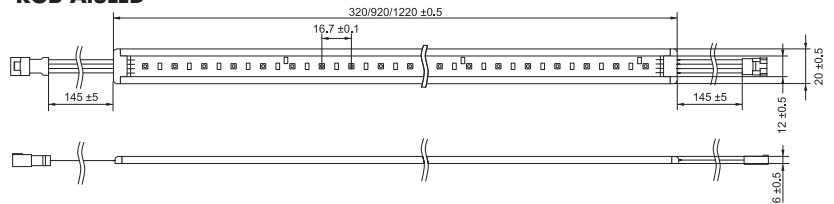
Voltage supply: 24 V DC  
 Beam angle: 120°  
 Allowed ambient temperature  $t_a$ : -30 to 85 °C  
 Allowed storage temperature: -40 to 85 °C  
 Degree of protection: IP66/IP67  
 Maximum bridging current load: 3 A  
 Lumen maintenance for white AluLED  
 L70/B20: > 50,000 hrs. at  $t_p/t_c = 50$  °C  
 Packaging unit: 20 pcs. including  
 mounting clips (brackets) and screws



### White / Blue AluLED



### RGB AluLED



### Optical characteristics

at  $t_p = 50$  °C

Type	Ref. No.	Length mm	No. of LEDs	Current mA	Colour	Colour temperature (K)	Luminous flux lm	Power W
<b>White modules</b>								
AluLED-320-2700-II Fully Coated	<b>571125</b>	320	18	140	warm white	2700 ±300	200	3.4
AluLED-920-2700-II Fully Coated	<b>571126</b>	920	54	420	warm white	2700 ±300	600	10.1
AluLED-1220-2700-II Fully Coated	<b>571127</b>	1220	72	560	warm white	2700 ±300	800	13.5
AluLED-320-3000-II Fully Coated	<b>561698</b>	320	18	140	warm white	3000 ±300	240	3.4
AluLED-920-3000-II Fully Coated	<b>561699</b>	920	54	420	warm white	3000 ±300	720	10.1
AluLED-1220-3000-II Fully Coated	<b>561700</b>	1220	72	560	warm white	3000 ±300	960	13.5
AluLED-320-4000-II Fully Coated	<b>571136</b>	320	18	140	cool white	4000 ±300	300	3,4
AluLED-920-4000-II Fully Coated	<b>571137</b>	920	54	420	cool white	4000 ±300	900	10,1
AluLED-1220-4000-II Fully Coated	<b>571138</b>	1220	72	560	cool white	4000 ±300	1200	13,5
AluLED-320-6000-II Fully Coated	<b>571115</b>	320	18	140	cool white	6000 ±300	280	3.4
AluLED-920-6000-II Fully Coated	<b>571116</b>	920	54	420	cool white	6000 ±300	840	10.1
AluLED-1220-6000-II Fully Coated	<b>571117</b>	1220	72	560	cool white	6000 ±300	1120	13.5

Type	Ref. No.	Length mm	No. of LEDs	Current mA	Luminous flux (lm)			Dom. wavelength (nm)			Power W
					red	green	blue	red	green	blue	
<b>RGB modules</b>											
AluLED-320-RGB-II Fully Coated	<b>571130</b>	320	18	140	25	75	15	620-630	520-535	465-475	3.4
AluLED-920-RGB-II Fully Coated	<b>571131</b>	920	54	420	75	225	45	620-630	520-535	465-475	10.1
AluLED-1220-RGB-II Fully Coated	<b>571132</b>	1220	72	560	100	300	60	620-630	520-535	465-475	13.5
<b>Blue modules</b>											
AluLED-1220-BLUE-II Fully Coated	<b>571120</b>	1220	72	560	—	—	60	—	—	465-475	8,4

The values contained in this data sheet can change due to technical innovations. Any such changes will be made without separate notification.

## AluLED IP66/IP67

### EasyConnect Cable for AluLED

Max. permissible current: 3 A

Number of strands: 2/4

(Strand diameter: 0.35 mm<sup>2</sup>/22 AWG)

For monochrome modules with 2 strands

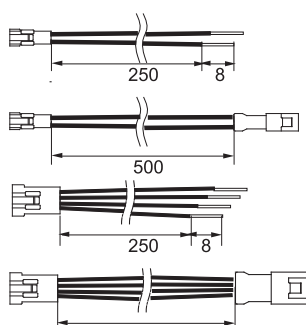
**Ref. No.: 543426** 25 cm, feed-in connector

**Ref. No.: 543427** 50 cm, PCB to PCB connector

For RGB modules with 4 strands

**Ref. No.: 543428** 25 cm, feed-in connector

**Ref. No.: 543429** 50 cm, PCB to PCB connector



### Shrink caps

For sealing exposed connection wires

(Strand diameter: 0.35 mm<sup>2</sup>/22 AWG)

Adhesive coating on the inside

**Ref. No.: 571150** transparent

**Ref. No.: 571151** black

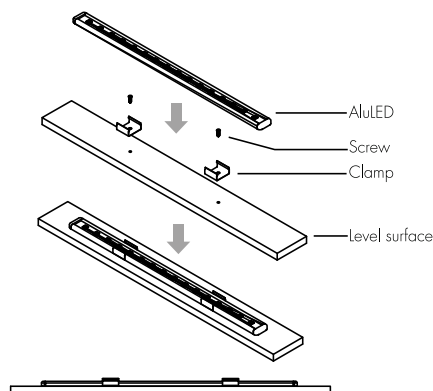
### Safety Instructions

- AluLED products may only be installed and commissioned by authorised and qualified staff.
- Please read these instructions carefully prior to installing and commissioning the system since this is the only way to ensure safe and proper system operation. You are recommended to keep these instructions in a safe place for possible future reference.
- Any work undertaken on a device must only be performed after disconnection from the mains.
- Relevant safety and accident prevention measures must be observed.
- Products must never be improperly opened since electrical voltage poses a risk to life. Repairs must only be performed by the manufacturer.
- Connecting feeder/supply lines to external voltage, e.g. 230 V mains voltage, can destroy individual system components.

- Mounting clips (brackets) are used to attach AluLED IP66/IP67 modules to a solid, load-bearing substrate. The mounting clips must be attached to the substrate using screws. The space left between the mounting clips must ensure the module neither bends nor bows. Once properly mounted, the AluLED IP66/IP67 module must be firmly enclosed by the mounting clips.
- The module can be installed any way up, but vertical wall mounting could lead to the module slipping out of the clips.
- Sufficient clearance must be left to other neighbouring objects to allow for the longitudinal thermal expansion of the module.
- Care must equally be taken to ensure any collecting water (e.g. rain) can drain.
- To prevent corrosion, contact with base metals, aggressive fluids and gases must be avoided. Operation in environments that are chemically enriched with (aggressive) chemical substances can impair functionality and can even result in total module failure. Detailed information as well as examples of hazardous environments and chemical substances can be found in the document "Chemical Incompatibilities Affecting LEDs", published by Vossloh-Schwabe Deutschland ([www.vossloh-schwabe.com](http://www.vossloh-schwabe.com)).

### Mounting

1. Screw the mounting clips firmly to the substrate.
2. Click module into the mounting clips.



The values contained in this data sheet can change due to technical innovations. Any such changes will be made without separate notification.

## AluLED IP66/IP67

### Installation Instructions

1. When using several modules, the connector of a feed-out line must be attached to the connector of the following module's feed-in line.
  2. The final feed-out line must be protected against humidity and water ingress with a connector.
  3. Connect control gear's feed-in line to the control gear unit (24 V constant current driver with a constant output voltage of  $24\text{ V} \pm 0.5\text{ V}$ ).
  4. Check the polarity of the control gear's feed-in line (red + /black -).
  5. Attach the control gear's feed-in line to the connector of the (first) AluLED IP66/IP67 module's feed-in line.
  6. Calculate the total power uptake of the connected AluLED IP66/IP67 modules and compare the value with the data supplied for the connected control gear. Should the control gear's permissible total power uptake be exceeded, the equipment needs to be replaced with an adequately rated control gear unit.
  7. Connect the control gear to the power supply in accordance with the installation instructions.
- Each AluLED IP66/IP67 module is fitted with a pre-assembled feed-in line with a connecting terminal as well as with a feed-out line with a connector for looping the supply voltage through to the next AluLED IP66/IP67 module.
  - Should this not be necessary, the spare connector must be protected against the ingress of humidity.
  - Alternatively, the connecting terminal can be removed and the exposed connecting wires sealed using shrink caps that are internally coated with adhesive (Ref. No.: 571150 (transparent) or 571151 (black)).
  - If only one such shrink cap is used to seal both connecting wires, care must be taken to ensure the wires are of differing lengths to prevent the internal metal conductors from touching one another.
  - The connecting terminals and connectors of the pre-assembled connecting leads prevent any reversal of polarity. Only the polarity of the control gear's requisite feed-in line (Ref. No.: 543426) can be reversed when connecting it to the control gear.
  - Prior to commissioning, care must be taken to ensure the polarity of the control gear's feed-in line is correct. The red cable is "+" and the black cable is "-".
  - A 24 V constant current driver with a constant output voltage ( $24\text{ V} \pm 0.5\text{ V}$ ) must be used for control gear purposes. To ensure safe operation this 24 V constant current driver should also be fitted with protection against overvoltages, short-circuiting and over-heating.
  - The maximum 3 A current load on the voltage supply line, the control gear's feed-in line and the extension lead must not be exceeded. The resulting maximum number of AluLED IP66/IP67 modules that can be connected is additionally dependent on the maximum output current of the 24 V constant current driver with a constant output voltage as well as the voltage drop caused by the AluLED IP66/IP67 modules and their leads.

### Further Information

- If the distance between the control gear and the (first) AluLED IP66/IP67 module is too great to be bridged using the feed-in lines of the control gear and the AluLED IP66/IP67 module, a VS extension lead (Ref. No.: 543427) must be used to close the gap.
- Should an extension lead additionally be used to connect AluLED IP66/IP67 modules that are farther away, the unavoidable electrical resistance of the extension lead will cause a more pronounced voltage drop, which in turn can impair the functionality of the AluLED IP66/IP67 modules. AluLED IP66/IP67 modules are designed for operation with a constant voltage of  $24\text{ V} \pm 0.5\text{ V}$ .

### Complies to following standards

EN 62031:2008 / A1:2013 / A2:2015  
LED modules for general lighting – Safety specifications

EN 60529:1991 / A1:2000 / A2:2013  
Degrees of protection provided by enclosures (IP Code)

EN 60068-2-60:1996  
Environmental testing – Part 2: Tests – Test Ke: Flowing mixed gas corrosion test, Method 4

EN ISO 9227:2012  
Corrosion tests in artificial atmospheres – Salt spray tests

The values contained in this data sheet can change due to technical innovations. Any such changes will be made without separate notification.