

Combined with complimentary HORIBA products, VA-5000/VA-5000WM series offers wide range of solutions and applications to various fields and industries.

With consistent expertise in gas analysis, HORIBA provides analyzers for wide array of gases. The combination of VA-5000 series with complimentary HORIBA analyzers provides tailor-made system solutions, which answers the diverse needs of different customers.



Portable Gas Analyzer  
**PG-300 Series**

Capable of measuring five (5) different gas components using a single lightweight, portable, and robust unit. Used for emission monitoring, R&D (fuel cell), stack cross-checking, etc.

NOx SO<sub>2</sub> CO CO<sub>2</sub> O<sub>2</sub> CH<sub>4</sub>



Magnetopneumatic Oxygen Analyzer  
**MPA-5000**

Sampling pump is installed inside the analyzer. You can start measurement without external sampling unit.\*1 Air carrier type: No need to prepare N<sub>2</sub> gas cylinder for carrier gas, which reduces running cost. N<sub>2</sub> carrier type: With N<sub>2</sub> carrier gas, 0-1 vol% measurement for O<sub>2</sub> is achieved.  
\*1 Sampling unit can be required depending on sample gas condition.

O<sub>2</sub>



Stack Gas Analyzer  
**GI-700 Series**

Designed for continuous measurement of up to six (6) combustion gases simultaneously. The integral sample conditioning system ensures accurate measurement.  
Fits in a standard 19-inch rack

NOx CO<sub>2</sub> CO SO<sub>2</sub> NH<sub>3</sub> O<sub>2</sub>

**IMS**

The HORIBA Group adopts IMS (Integrated Management System) which integrates Quality Management System ISO9001, Environmental Management System ISO14001, and Occupational Health and Safety Management System OHSAS18001. We have now integrated Business Continuity Management System ISO22301 in order to provide our products and services in a stable manner, even in emergencies.



Please read the operation manual before using this product to assure safe and proper handling of the product.

- The specifications, appearance or other aspects of products in this catalog are subject to change without notice.
- Please contact us with enquiries concerning further details on the products in this catalog.
- The color of the actual products may differ from the color pictured in this catalog due to printing limitations.
- It is strictly forbidden to copy the content of this catalog in part or in full.
- The screen displays shown on products in this catalog have been inserted into the photographs through compositing.
- All brand names, product names and service names in this catalog are trademarks or registered trademarks of their respective companies.

<http://www.horiba.com> e-mail: [info@horiba.co.jp](mailto:info@horiba.co.jp)

**HORIBA, Ltd. Japan**  
Head Office  
2 Miyahogashi-cho, Kisshoin, Minami-ku, Kyoto, Japan  
Phone: 81 (75) 313-8121 Fax: 81 (75) 321-5725

**HORIBA (China) Trading Co., Ltd. China**  
Unit D, 1F, Building A, Synnex International Park, 1068 West Tianshan Road, Shanghai, 200335, China  
Phone: 86 (21) 6289-6060 Fax: 86 (21) 6289-5553  
**Beijing Branch**  
12F, Metropolis Tower, No.2, Haidian Dong 3 Street, Beijing, 100080, China  
Phone: 86 (10) 8567-9966 Fax: 86 (10) 8567-9066

**HORIBA KOREA Ltd. Korea**  
25, 94-Gil, Iljik-Ro, Manan-Gu, Anyang-Si, Gyeonggi-Do, 13901, Korea  
Phone: 82 (31) 296-7911 Fax: 82 (31) 296-7913

**HORIBA Instruments (Singapore) Pte Ltd. Singapore**  
3 Changi Business Park Vista #01-01 Akzonobel House, Singapore 486051  
Phone: 65 (6) 745-8300 Fax: 65 (6) 745-8155

**HORIBA Vietnam Co., Ltd. Vietnam**  
Unit 6, 10 Floor, CMC Tower, Duy Tan Street, Dich Vong Hau Ward, Cau Giay District, Hanoi, Vietnam  
Phone: 84 (24) 3795-8552 Fax: 84 (24) 3795-8553

**HORIBA (Thailand) Limited Thailand**  
East Office  
850 / 7 Soi Lat Krabang 30 / 5, Lat Krabang Road, Lat Krabang, Bangkok 10520, Thailand  
Phone: 66 (0) 2734 4434 Fax: 66 (0) 2734 4438

**PT HORIBA Indonesia Indonesia**  
Jl. Jalur Sutra Blok 20A, No.16-17, Kel. Kunciran, Kec. Pinang Tangerang-15144, Indonesia  
Phone: 62 (21) 3044-8525 Fax: 62 (21) 3044-8521

**HORIBA India Private Limited India**  
246, Okhla Industrial Estate, Phase 3 New Delhi-110020, India  
Phone: 91 (11) 4646-5000 Fax: 91 (11) 4646-5020  
**Technical Center**  
D-255, Chakan MIDC Phase-II, Bhamoli Village, Pune-410501, India  
Phone: 91 (21) 3567-6000  
**Bangalore Office**  
No.55, 12th Main, Behind BDA Complex, 6th sector, HSR Layout, Bangalore South, Bangalore-560102, India  
Phone: 91 (80) 4127-3637

**HORIBA Instruments Incorporated USA**  
9755 Research Drive, Irvine, CA 92618, U.S.A.  
Phone: 1 (949) 250-4811 Fax: 1 (949) 250-0924  
**Houston Office**  
5390 Bay Oaks Drive, Pasadena, TX 77505  
Phone: 1 (281) 482-4334 Fax: 1 (281) 674-6058

**HORIBA Instruments Brasil, Ltda. Brasil**  
Rua Presbitero Plinio Alves de Souza, 645, Parte A, Loteamento Multivias, Jardim Ermida II - Jundiá Sao Paulo - CEP 13.212-181 Brazil  
Phone: 55 (11) 2923-5400 Fax: 55 (11) 2923-5490

**HORIBA Europe Research Center France**  
Avenue de la Vauve - Passage Jobin Yvon CS 45002 - 91120 Palaiseau - France  
Phone: 33 (1) 69-74-72-00 Fax: 33 (1) 69-31-32-20

**HORIBA UK Limited UK**  
Kyoto Close Moulton Park, Northampton NN3 6FL, UK  
Phone: 44 (1604) 542-500 Fax: 44 (1604) 542-699

**HORIBA Europe GmbH Germany**  
Hans-Mess-Str.6 D-61440 Oberursel Germany  
Phone: 49 (6172) 1396-0 Fax: 49 (6172) 1373-85  
**Leichlingen Office**  
Julius-kronenberg Str.9 D-42799 Leichlingen Germany  
Phone: 49 (2175) 8978-0 Fax: 49 (2175) 8978-50

**HORIBA Europe GmbH Sweden**  
**Sweden Branch (Gothenburg)**  
Grimboasen 10 A, S-417 49 Gothenburg, Sweden  
Phone: (46) 10-161-1500 Fax: (46) 10-161-1503

**HORIBA Czech Czech**  
**Prague Office**  
Prumyslova 1306 / 7, CZ-10200, Praha 10, Czech Republic  
Phone: 420 (2) 460-392-65

**HORIBA (Austria) GmbH Austria**  
Kaplanstrasse 5 A-3430 Tulln, Austria  
Phone: 43 (2272) 65225 Fax: 43 (2272) 65230

**HORIBA (Austria) GmbH Romania**  
**Romania Branch**  
B-dul.Republicii, nr. 164, Etaj Parter, Birourile nr. 3 si 4 Pitestijudetul Arges110177 Romania  
Phone: 40 (348) 807117 Fax: 40 (348) 807118

# HORIBA

Process & Environmental

N E W

Multi-Component Gas Analyzer

## VA-5000/VA-5000WM Series

Sample Gas Conditioning System

## VS-5000 Series



VA-5000WM Series  
(Wall Mount Type)

VA-5000 + VS-5000 Series  
(Panel Mount Type)

# Simple, Flexible, and Reliable! Multi-Component Gas Analyzer VA-5000/ VA-5000WM Series

## Flexibility for Various Applications

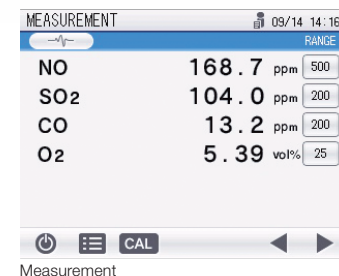
- Provides wide selection of measurement range; from parts per million (ppm) to percent concentration.  
\* Refer to the specifications table on page 3 for possible combination of modules.
- Capability to simultaneously measure up to four gas components.  
\* Refer to the specifications table on page 3 for possible combination of modules.
- Automatic internal correction of measurements, such as oxygen (O<sub>2</sub>) corrected value. No need for additional external programmable logic controller (PLC).
- Thermostat for optical unit allows use in tougher sample gas conditions.

## User-Friendly Features

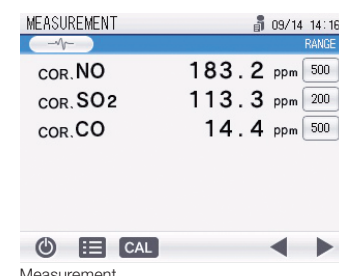
- The 5.7-inch touchscreen LCD with real-time trend graph analysis provides easy recognition of measurement value stabilization.
- Compact size: Enable easy replacement and installation within tight spaces  
VA-5000 (19-inch panel mount type): 430mm(W) x 380mm(D) x 132mm(H)  
VA-5000WM (Wall mount type): 424mm(W)x206mm(D)x484mm(H)
- Operates in standard Modbus™ TCP communication with optional analog and digital I/O.
- Continuous data for up to 15 days can be stored via 1GB USB.

## Easy Maintenance

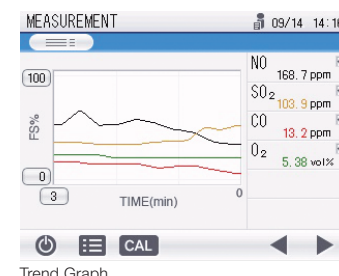
- Modular design enables quick replacement of analyzer bench, which reduces downtime.
- Users need not prepare any time consuming adjustments at site.
- Just easily plug the connection lines and upload the settings data via USB.



Measurement



Measurement

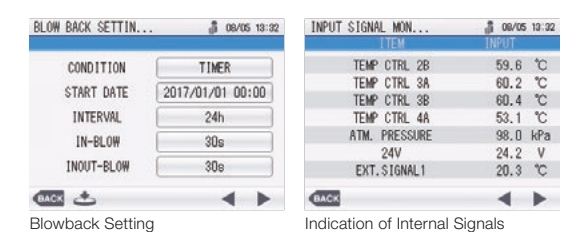
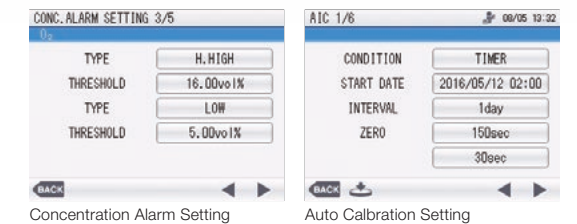


Trend Graph



## Other Features

- Auto-calibration function together with the VS-5000 sampling unit, or with external solenoid valves.
- Blowback control function enabling measurement of sample gases with high dust concentration. VA-5000 series can control blowback via digital output with an internal sequencer.  
\*Please consult HORIBA for further details.
- Multiple analog outputs feature, maximum of eight (8) channels, even for the same parameter.  
\*Please consult HORIBA for further details.
- Self-diagnosis function enables high/low concentration alarms, calibration error alarm, etc.
- Internal signal data view and logging capabilities for quick system diagnostics, such as "internal temperature control data", "detector voltage signal", etc. Data transfer to users' data logger can be done via Modbus™ TCP.



## Sample Gas Conditioning System VS-5000 Series

- Compact, can be easily mounted to a 19-inch rack.
- All sample conditioning components (pumps, coolers, filters, flow controls, NO<sub>x</sub> converter, etc.) are integrated into a single case.
- Depending on the application, one (1) unit of VS-5000 may support up to two (2) VA-5000 units.  
\*Please consult HORIBA for further details.



## Application Examples

- The VA-5000 series provides wide range of measurement capabilities for research and development (R&D), for quality control (QC), and/or as continuous emission monitoring system (CEMS).
  - CEMS
  - Emission monitoring of N<sub>2</sub>O for sludge waste incinerator
  - Selective catalytic reduction (SCR) research
  - Fuel cell research
  - Green house gases (GHG) research
  - Animal farming's metabolism research
  - Calibration gas quality control
  - Combustion appliance quality control
  - Small boilers' combustion efficiency control
  - Monitoring of biogas, e.g. biogas during fermentation of biodegradable materials
  - Steel production plants' process control, like direct-reduced iron (DRI) manufacture monitoring
  - Water treatment plants' aeration tank's O<sub>2</sub> monitoring
  - Shape memory shirts' production process control
  - Combustion furnace process control for ceramic production (porcelain, sanitary ware, advanced materials, etc.)



Customized combination of modules and sampling units satisfies diverse measurement needs.

Module	Analyzer		NDIR1	NDIR2	NDIR3	CLA	MPA	Galvanic	Zirconia	PMA	Sampling Unit					
	CO	CO <sub>2</sub>	CH <sub>4</sub>	N <sub>2</sub> O	NO	SO <sub>2</sub>	NH <sub>3</sub>	NO <sub>x</sub>	O <sub>2</sub>			VS-5001	VS-5002	VS-5003	VS-5004	
1	VA-5001	VA-5001WM	•									•				
	VA-5002	VA-5002WM				•								•		
	VA-5003	VA-5003WM					•					•				
	VA-5004	VA-5004WM						•				•				
	VA-5005	VA-5005WM							•			•				
	VA-5006	VA-5006WM								•		•				
2	VA-5011	VA-5011WM	•	•								•				
	VA-5012	VA-5012WM	•			•								•		
	VA-5013	VA-5013WM	•				•					•				
	VA-5014	VA-5014WM	•					•				•				
	VA-5015	VA-5015WM	•						•			•				
	VA-5016	VA-5016WM	•							•		•				
	VA-5023	VA-5023WM				•	•								•	
	VA-5024	VA-5024WM				•		•						•		
	VA-5025	VA-5025WM				•			•					•		
	VA-5026	VA-5026WM				•				•				•		
3	VA-5111	VA-5111WM	•	•	•							•				
	VA-5112	VA-5112WM	•	•		•								•		
	VA-5113	VA-5113WM	•	•			•						•			
	VA-5114	VA-5114WM	•	•				•				•				
	VA-5115	VA-5115WM	•	•					•			•				
	VA-5116	VA-5116WM	•	•						•		•				
	VA-5123	VA-5123WM	•			•	•								•	
	VA-5124	VA-5124WM	•			•		•						•		
	VA-5125	VA-5125WM	•			•			•					•		
	VA-5126	VA-5126WM	•			•				•				•		
4	VA-5111G	VA-5111GWM	•	•	•				•			•				
	VA-5112G	VA-5112GWM	•	•		•			•					•		

\*Please consult us about Sampling Unit for VA-5000WM and further information.

Wide selection for the multiple measurement ranges included in each module

Measurement method	Component	Option range			Standard range		Zero drift		Span drift <sup>*1</sup>		Repeatability
		High Sensitive	Min. range	Max. range	Standard range	High Sensitive	Standard range	High Sensitive			
NDIR	CO	0-50 ppm	0-200 ppm	0-100 vol%	±2.0%/week of F.S.	±2.0%/day (CO: 0-50-99 ppm range, CO <sub>2</sub> : 0-50-99 ppm range, SO <sub>2</sub> : 0-100-199 ppm range)	±2.0%/week of F.S.	±2.0%/day (CO: 0-50-99 ppm range, CO <sub>2</sub> : 0-50-99 ppm range, SO <sub>2</sub> : 0-100-199 ppm range)	±0.5% of F.S.		
	CO <sub>2</sub>	0-50 ppm	0-100 ppm	0-100 vol%							
	CH <sub>4</sub>	0-100 ppm	0-200 ppm	0-100 vol%							
	N <sub>2</sub> O	NA	0-100 ppm	0-5000 ppm							
	NO	NA	0-500 ppm	0-1 vol%							
	SO <sub>2</sub>	0-100 ppm	0-200 ppm	0-10 vol%							
CLA	NO/NO <sub>x</sub>	NA	0-20 ppm	0-5000 ppm	±2.0%/week of F.S.				±0.5% of F.S. (Range is more than 0 ppm to 100 ppm) ±1.0% of F.S. (Range is less than 0 ppm to 100 ppm)		
MPA	O <sub>2</sub>	NA	0-5 vol%	0-100 vol%	±2.0%/week of F.S.		±2.0%/week of F.S.		±0.5% of F.S.		
Galvanic		NA	0-5 vol%	0-25 vol%	±1.0%/day of F.S.		±1.0%/day of F.S.		±0.5% of F.S.		
Zirconia		NA	0-5 vol%	0-25 vol%	±1.0%/week of F.S.		±2.0%/week of F.S.		±0.5% of F.S.		
PMA		NA	0-5 vol%	0-100 vol%	±2.0%/week of F.S.		±2.0%/week of F.S.		±0.5% of F.S.		

Note 1: Select multiple measurement ranges within the above minimum and maximum range table in accordance to the following conditions.  
 [NDIR] Five (5) ranges; the highest range must be within the maximum limit ratio of 10x the lowest range. Maximum limit of 20x the lowest range is also an available option, which may be limited by the cell length.  
 [CLA] Eight (8) ranges; the highest range must be within the maximum limit ratio of 100x the lowest range. If the maximum range exceeds 2000ppm, the minimum range should be at least 50ppm or more.  
 [MPA] Five (5) ranges; the highest range must be within the maximum limit ratio of 10x the lowest range.  
 [Galvanic] Five (5) ranges; the highest range must be within the maximum limit ratio of 5x the lowest range.  
 [Zirconia] Five (5) ranges; the highest range must be within the maximum limit ratio of 5x the lowest range.  
 [PMA] Three (3) ranges; the highest range must be within the maximum limit ratio of 10x the lowest range.  
 Note 2: Contact HORIBA if you require measurement of special gases or ranges.  
 \*1% of span drift for NDIR is achievable with special adjustment at factory. Please contact the HORIBA team for further details.

Various combinations of sensor modules provide excellent flexibility

The free combination of measurement modules, which utilizes different technologies to measure various gases, makes the VA-5000 series truly applicable to the diverse needs of gas analysis for process control, environmental monitoring, research and development (R&D) testing, etc. The sensors lineup includes: the dual-beam non-dispersive infrared (NDIR) absorption method, which measures nine (9) different gases in wide ranges; the chemiluminescence (CLA) method, which allows measurement of mono-nitrogen oxides (NO<sub>x</sub>) in low concentrations; and four (4) types of oxygen (O<sub>2</sub>) detectors that users may select from to meet measurement requirements.

SO<sub>2</sub>, CO, CO<sub>2</sub>, CH<sub>4</sub>, N<sub>2</sub>O, NO, NH<sub>3</sub>

**NDIR** Dual-beam Non-Dispersive Infrared Absorption Method  
 As sample gas flow through the measurement cell, a beam of infrared energy (at a wavelength appropriate for the gas being measured) travels through the sample gas and strikes the infrared (IR) detector. The gas being measured absorbs infrared energy and reduces the energy reaching the IR detector. As a result, the pressure of the gas in the first chamber of the detector is reduced, causing gas to flow from the first chamber to the other. This gas flow passes over the precise temperature sensor between the chambers and reduces the resistance value of the sensor element. Since the resistance value was previously calibrated relative to a specific gas concentration, the measured resistance value can be displayed as a gas concentration reading for the sample gas. HORIBA's Micro Electro Mechanical Systems (MEMS) technology allows the manufacture of IR temperature sensor that is very small yet very sensitive, highly reliable, and vibration-resistant.

\*When using the NDIR carbon dioxide (CO<sub>2</sub>) analyzer, ensure that the background concentration of CO<sub>2</sub> in the operating environment is stable.  
 \*CO interference for N<sub>2</sub>O measurement is eliminated by improved NDIR detector.

NO/NO<sub>x</sub>

**CLA** Chemiluminescence method  
 The mono-nitrogen oxides (NO<sub>x</sub>) analysis module uses the sensitive chemiluminescence (CLA) method, which permits NO<sub>x</sub> measurements for range as low as 0-20 ppm. The chemiluminescence analyzer has virtually zero interference. HORIBA's special technology and experience has effectively eliminated CO<sub>2</sub> quenching and water vapor interference.

O<sub>2</sub>

Choose from four analysis methods for the oxygen (O<sub>2</sub>) analyzer module. Select the sensor module based on your specific requirements and sample gas conditions.

**MPA** Magnetopneumatic  
 Highly accurate and stable measurement unaffected by coexisting gases or external vibration.

**Zirconia**  
 Stable measurement unaffected by environmental conditions

**Galvanic Cell**  
 Stable measurement with a compact and lightweight sensor

**PMA** Paramagnetic  
 High accuracy, fast response time, and absolute linearity measurement advantages.

Characteristics of O<sub>2</sub> analyzers

Performance	MPA	Zirconia	Galvanic	PMA
Stability of design	•	•	•	•
Warm-up and start-up performance	•	•	•	•
Sample gas condition				
Flammable gas is present	•			
High-concentration acidic gas is present	•			
Sample flow rate should be minimized	•			
Installation environment				
Carrier gas is not available		•	•	•
VS-5000 sampling system is not used		•	•	•
Installation environmental is vibrating		•	•	
Cost and other factors				
Operation costs should be minimized		•		•
Maintenance should be minimized	•	•		•

\*When using the zirconia oxygen (O<sub>2</sub>) analyzer and the sample gas contains reducing gases, such carbon monoxide (CO), total hydrocarbons (THC), and/or hydrogen (H<sub>2</sub>), to prevent rapid deterioration of the zirconia sensor, the coexisting oxygen and water vapor concentrations must exceed the total concentration of the reducing gases.  
 The sample gas must meet this requirement: Reducing gas + H<sub>2</sub> < H<sub>2</sub>O + O<sub>2</sub>

Types of reducing gas: CO, H<sub>2</sub>, and THC  
 Allowable concentrations: CO < 5000 ppm,  
 H<sub>2</sub> < 1000ppm, when THC is included, CO + H<sub>2</sub> < H<sub>2</sub>O + O<sub>2</sub>

Sample computation of reducing gases concentration acceptability  
 Types of reducing gas: CO H<sub>2</sub> THC  
 Allowable concentrations: CO < 5000 ppm, H<sub>2</sub> < 1000 ppm. When THC is included, CO + H<sub>2</sub> < H<sub>2</sub>O + O<sub>2</sub>

Example 1:  $\frac{THC}{1000ppm} + \frac{CO}{2000ppm} + \frac{H_2}{1000ppm} < \frac{H_2O}{8000ppm} + \frac{O_2}{1000ppm}$  (acceptable)

Example 2:  $\frac{THC}{5000ppm} + \frac{CO}{4000ppm} + \frac{H_2}{1000ppm} < \frac{H_2O}{8000ppm} + \frac{O_2}{1000ppm}$  (unacceptable)

## Specifications

### VA-5000 / VA-5000WM Analyzer

Measurement principle		NDIR	CLA	Magnetopneumatic	Galvanic cell	Zirconia	Paramagnetic
Performance	Linearity	Standard ±2.0% F.S.(range ratio 1:20)	-	-	-	-	-
	Option	±1.0% F.S.	-	-	-	-	-
	Response time	30 sec or less (T <sub>90</sub> ), 40 sec or less (T <sub>d</sub> +T <sub>90</sub> ); single component*1	-	-	-	-	45 sec (T <sub>d</sub> +T <sub>90</sub> )
Flow rate	Warm-up time	60 min (90 min for SO <sub>2</sub> )	60 min	60 min	40 min	20 min	120 min
	Standard	0.5L/min	0.3L/min	0.5L/min	0.5L/min	0.5L/min	0.5L/min
Option	1.0L/min*2	-	-	-	-	-	1.0L/min*2
Communication	Ethernet (Modbus™/TCP)						
Data storage	Option	USB memory					
Input/Output (option)	Analog	Maximum 4ch, 0-16 mA / 4-20 mA / 0-20 mA or 0-1 V isolated					
	Digital	Maximum 8ch, 0-16 mA / 4-20 mA / 0-20 mA or 0-1 V isolated, Current output: load resistance < 750Ω, Voltage output: input impedance > 100k Ω					
Sample condition	Input	Maximum 16ch isolated, Open voltage: 24 V, Short-circuit current 10mA Maximum load resistance < 50 Ω, Minimum pulse width: 0.5 sec					
	Output	Maximum 16ch isolated, Maximum voltage DC 30 V, Maximum current 1A Minimum voltage DC 0.1 V, Minimum current 0.1 mA					
Gas connections	Inlet and outlet - 6 mm/4 mm PTFE: a single gas inlet is provided standard; the gas flows sequentially from one module to the next; as an option separate gas inlets can be provided for each module.						
Gas tubing	PTFE; stainless steel optional						
Joint	Sample Inlet: Rc 1/8(φ6/φ4mm PTFE joint), Exhaust: φ6/φ4mm PTFE joint Air Inlet: Rc 1/8(φ6/φ4mm PTFE joint); installed CLA. CLA: Exhaust: φ6/φ4mm PTFE joint; installed CLA, MPA Outlet: φ6/φ4mm PTFE joint; installed MPA, Zero gas Outlet: φ6/φ4mm PTFE joint; installed MPA						
Installation	Temperature 0-45°C, Humidity 90% (No condensation), Altitude Max 3000m (combination with only NDIR), (combination with Zirconia, Galvani, MPA, and CLA: max 2000m), No fluctuation of backpressure						
Protection degree	Equivalent to IP20						
Power	100-240 V AC (±10%, maximum voltage 250 VAC), 50/60 Hz (±1.0%), Consumption: 100 to 350 VA						
Display	5.7-inch touch screen						
Case	VA-5000: 19-inch panel mount / VA-5000WM: Mounted on wall						
Exterior dimensions	VA-5000: 430 (w) x 380 (d) x 132 (h) mm / Approx. 17 (w) x 15 (d) x 5.2 (h) in						
	Deionator unit for CLA: 111 (w) x 95 (d) x 100 (h) mm / Approx. 4.4 (w) x 3.7 (d) x 3.9 (h) in *protrusions excluded						
Mass	VA-5000WM: 424 (w) x 206 (d) x 484 (h) mm / Approx. 17 (w) x 8 (d) x 19 (h) in *protrusions excluded VA-5000: 7-18kg, Approx. 15-40lb / VA-5000WM: 14-24kg, Approx. 31-53lb						

\*1 When single component: flow rate is 0.5L/min (CLA: 0.3L/min)  
\*2 Available when all components are NDIR and PMA

### VS-5000 Sampling Unit

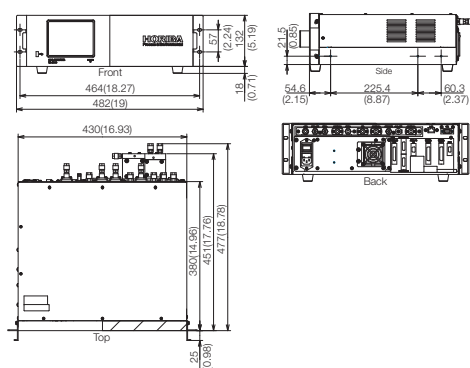
Model	VS-5001	VS-5002	VS-5003	VS-5004
Applicable principles	NDIR, Zirconia, Galvanic cell, PMA	NDIR, Zirconia, Galvanic cell, MPA, PMA	NDIR, Zirconia, Galvanic cell, CLA, PMA	NDIR, Zirconia, Galvanic cell, MPA, CLA, PMA
Form	19 inch panel mount			
Sampling method	5°C dry sampling			
Materials	SUS, PP, PVC, PVDF, PTFE, FKM, CR, Glass			
Flow rate	0.5 L/min x 2 systems*1		1.5~5.0 L/min	
Sample supply	0.3L/min x 1 system		0.3L/min x 1 system	
Power	100~240 V AC (±10%, maximum voltage 250V AC), 50/60 Hz (±1%)			
Power consumption	150 VA		200 VA	
Joint	Sample inlet: φ8/φ6 mm PTFE joint, Sample outlet: φ6/φ4 mm PTFE joint Air outlet: φ6/φ4 mm PTFE joint, MPA inlet: φ6/φ4 mm PTFE joint Regulator: φ6/φ4 mm PTFE joint, Calibration inlet: Rc1/8(φ6/φ4mm PTFE joint) Bypass outlet/Exhaust/Drain outlet: φ8mm hose end			
Sample gas	Ambient temperature, Dust: less than 0.1mg/m <sup>3</sup> , H <sub>2</sub> O: less than 60°C saturation with drain pot (Approx. 25% H <sub>2</sub> O), Pressure: ±980 Pa, SO <sub>2</sub> : less than 50ppm, NO <sub>2</sub> : less than 6ppm*2, (Corrosive gas, flammable gas and explosive gas are not included)			
Dimension	430 (w) x 550 (d) x 221 (h) mm / Approx. 17 (w) x 22 (d) x 8.7 (h) in (protrusions excluded)			
Mass	14kg / 31lb	16kg / 35lb	19kg / 42lb	20kg / 44lb

\*1 Environmental temperature needs to be less than 35°C. If it's over 35°C, please consult HORIBA.  
\*2 When the sample gas includes more than 6ppm NO<sub>2</sub>, it needs to use optional NO<sub>x</sub> converter.

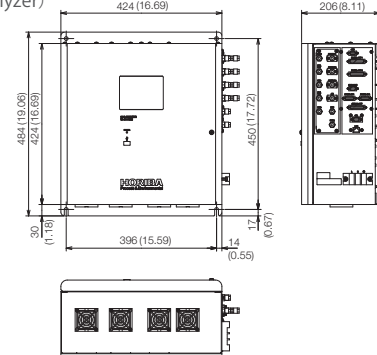
## Dimensional Outlines

Rubber feet, deionator unit and mounting brackets (e.g. slide rails, and rack mounting plates) are optional. Unit: mm(in)

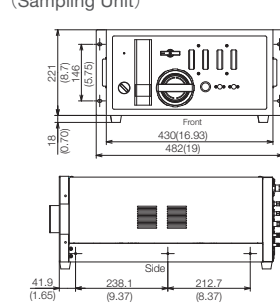
VA-5000 (Analyzer)



VA-5000WM (Analyzer)

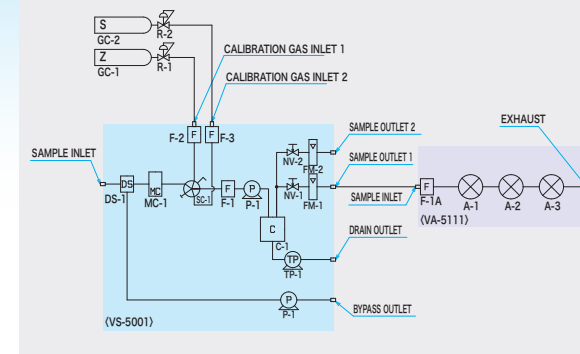


VS-5000 (Sampling Unit)

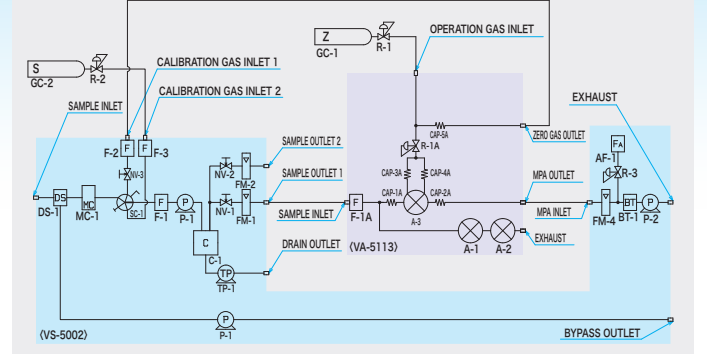


## Flow sheet

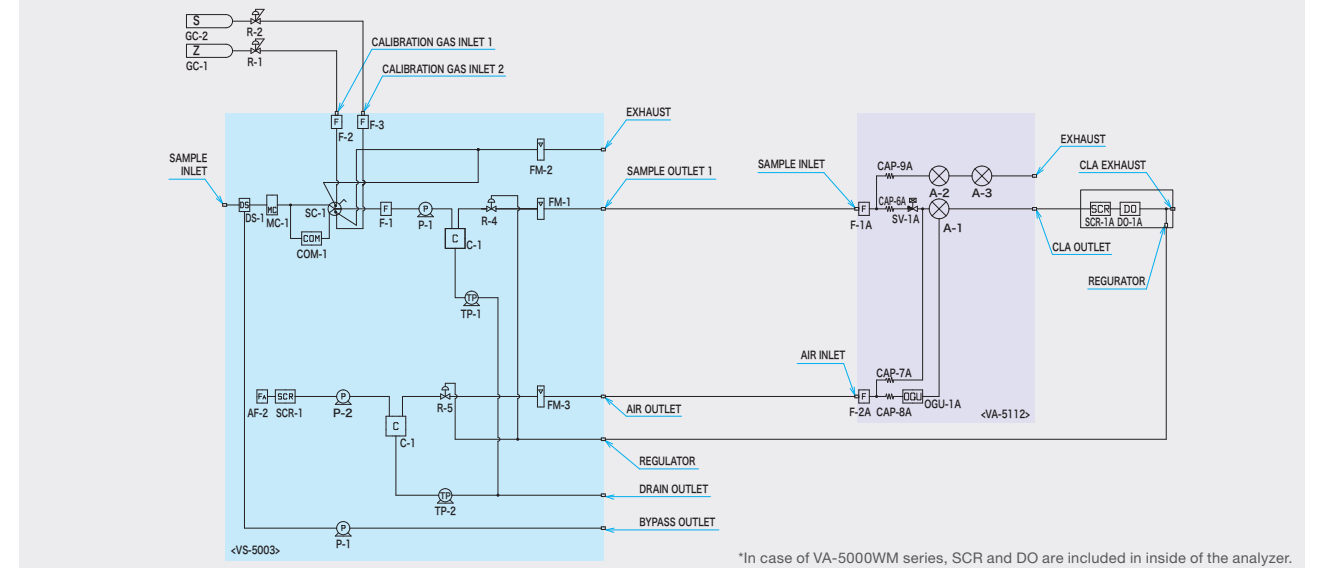
VA-5111+VS-5001



VA-5113+VS-5002

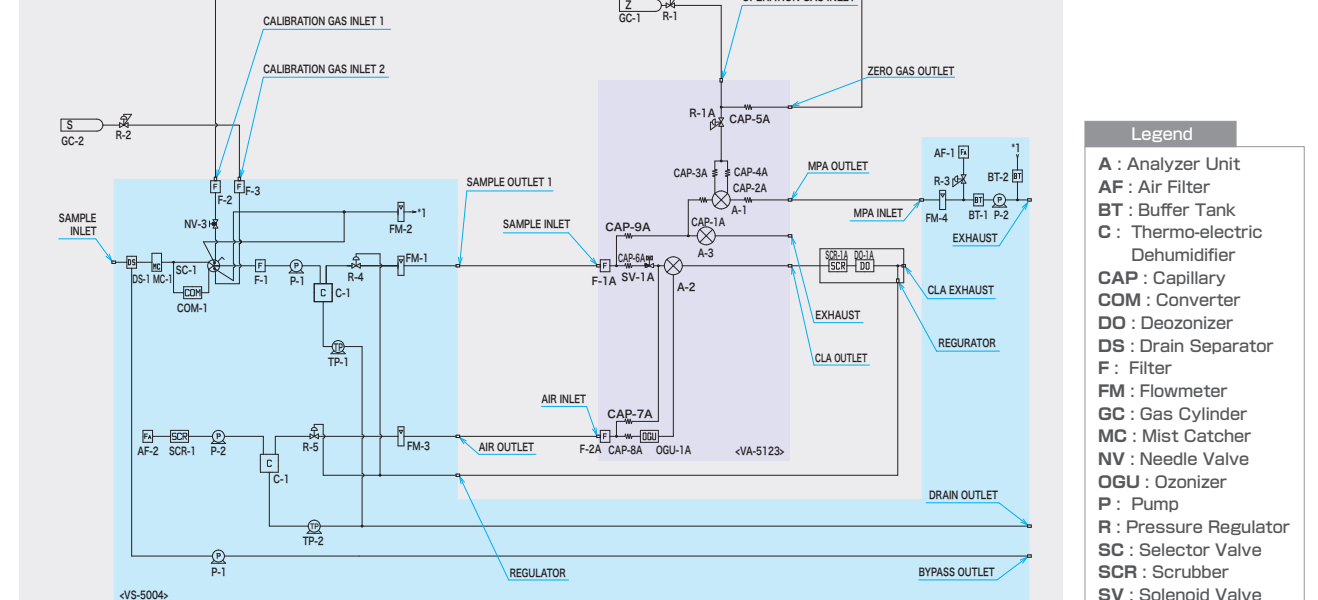


VA-5112+VS-5003



\*In case of VA-5000WM series, SCR and DO are included inside of the analyzer.

VA-5123+VS-5004



\*In case of VA-5000WM series, SCR and DO are included inside of the analyzer.

### Legend

- A : Analyzer Unit
- AF : Air Filter
- BT : Buffer Tank
- C : Thermo-electric Dehumidifier
- CAP : Capillary Converter
- COM : Converter
- DO : Deionizer
- DS : Drain Separator
- F : Filter
- FM : Flowmeter
- GC : Gas Cylinder
- MC : Mist Catcher
- OGU : Ozonizer
- P : Pump
- R : Pressure Regulator
- SC : Selector Valve
- SCR : Scrubber
- SV : Solenoid Valve
- TP : Tubing Pump