

**Driver LC 20W 500/700mA fixC SR SNC**

ESSENCE series

**Product description**

- \_ Independent LED Driver with cable clamps
- \_ Extra flat housing for constrained installation conditions (small ceiling cut outs and low ceiling voids)
- \_ Max. output power 20 W
- \_ Output current 500 or 700 mA
- \_ KC certificate for LC 20W 500mA fixC SR SNC
- \_ For luminaires with M and MM as per EN 60598, VDE 0710 and VDE 0711
- \_ Nominal life-time up to 50,000 h
- \_ Temperature protection as per EN 61347-2-13 C5e
- \_ 5-year guarantee

**Properties**

- \_ Casing: polycarbonate, white
- \_ Type of protection IP20
- \_ Push-in terminals
- \_ 2 separate strain relief parts for input and output cables with highly robust clamps

**Functions**

- \_ Overload protection
- \_ Short-circuit protection
- \_ No-load protection
- \_ No output current overshoot at mains on/off

**Website**

<http://www.tridonic.com/87500573>



Spotlights



Downlights



Linear



Area



Floor | Wall



Free-standing



Street



Decorative

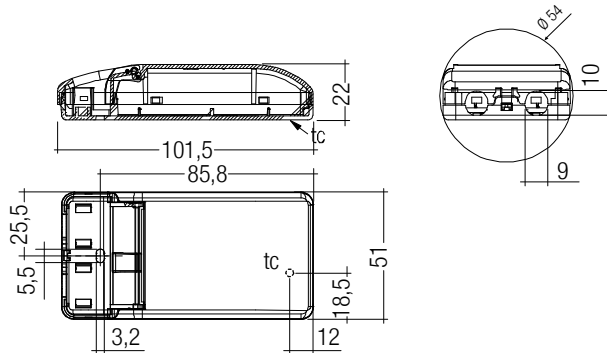


High bay

## Driver LC 20W 500/700mA fixC SR SNC

ESSENCE series

The complete data sheet for this product is available in the Downloads section.



## Ordering data

Type	Article number	Packaging, carton	Packaging, low volume	Packaging, high volume	Weight per pc.
LC 20W 500mA fixC SR SNC	87500573	20 pc(s).	380 pc(s).	3,420 pc(s).	0.078 kg

## Technical data

Rated supply voltage	220 – 240 V
AC voltage range	198 – 264 V
$\lambda$ at full load	0.93C
$\lambda$ at min. load	0.87C
Mains frequency	50 / 60 Hz
Overvoltage protection	320 V AC, 1 h
THD (at 230 V, 50 Hz, full load)	$\leq 20\%$
THD (at 230 V, 50 Hz, min. load)	$\leq 20\%$
Output current tolerance (at 230 V, 50 Hz, full load) <sup>①</sup>	$\pm 7.5\%$
Output current tolerance (at 230 V, 50 Hz, min. load) <sup>①</sup>	$\pm 7.5\%$
Typ. current ripple (at 230 V, 50 Hz, full load)	$\pm 30\%$
Turn on time (at 230 V, 50 Hz, full load)	$\leq 0.5$ s
Turn off time (at 230 V, 50 Hz, full load)	$\leq 0.5$ s
Hold on time at power failure	0 s
Ambient temperature $t_a$	-20 ... +50 °C
Ambient temperature $t_a$ (at life-time 50,000 h)	40 °C
Storage temperature $t_s$	-40 ... +80 °C
Dimensions L x W x H	101.5 x 51 x 22 mm

## Approval marks



## Standards

EN55015, EN 61000-3-2, EN 61000-3-3, EN 61347-1, EN 61347-2-13, EN 61547, EN 62384

## Specific technical data

Type	Output current <sup>①</sup>	Typ. rated current (at 230 V, 50 Hz, full load)	Max. input power	Typ. power consumption (at 230 V, 50 Hz, full load)	Output power range	Efficiency at full load <sup>②</sup>	Efficiency at min. load <sup>②</sup>	Min. forward voltage <sup>②</sup>	Max. forward voltage <sup>②</sup>	Max. output voltage (U-OUT)	Max. peak output current	Max. casing temperature $t_c$
LC 20W 500mA fixC SR SNC	500 mA	0.12 A	25.0 W	22.5 W	15.5 – 22 W	88.0 %	87 %	30 V	43 V	58 V	850 mA	85 °C

<sup>①</sup> Output current is mean value.

Ⓢ Test result at 230 V, 50 Hz.