

D77H07- P2030 / P1030

Environmental Power Box Unit

Operation Guide

Ver 1.1



CONTENT

SAFEGUARDS AND WARNINGS	2
INTRODUCTION	3
APPLICATIONS	3
Power Box Diagram.....	4
Alarm Board Diagram	5
OPERATION	6
Connection Notice	6
Installation	6
SPECIFICATION.....	7
MECHANICAL	8

SAFEGUARDS AND WARNINGS

- Before proceeding, please read and observe all instructions and warnings in the manual. Retain this manual for future reference.
- Installation should be done only by qualified service personnel and conform to all local codes.
- Do not install the power supply unit near any heat sources such as radiators, heat registers, stoves, or other apparatus (including amplifiers) that produce heat.
- Please check the used type of power source before you plug and operate the unit.
- Removing the cushion in the power box before plug in.
- Only use attachments and accessories specified by DynaColor.
- Refer servicing to qualified service personnel. Servicing is required when the apparatus has been damaged; such as the unit is splashed, dropped, or the apparatus does not operate normally.

INTRODUCTION

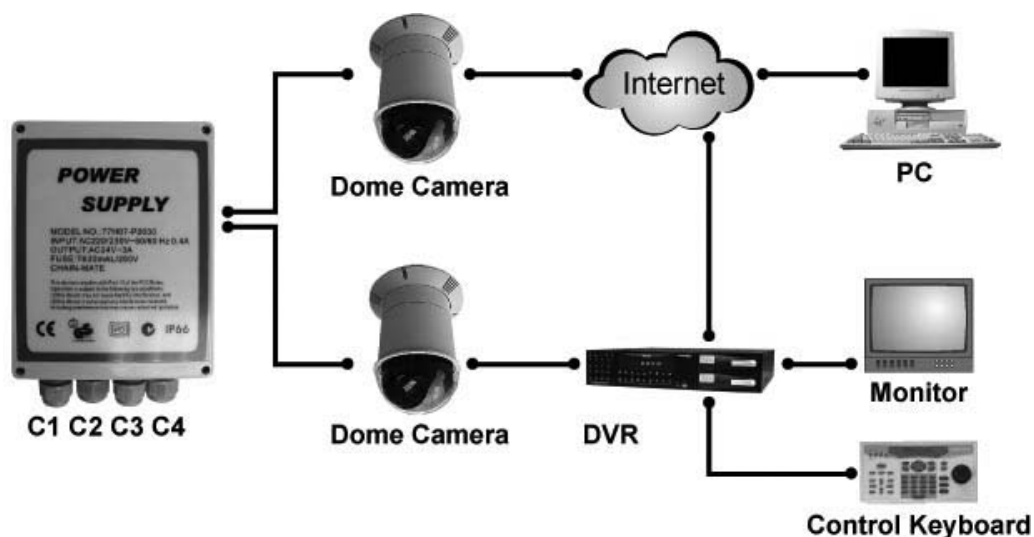
The P.S.U. is a 24 VAC power supply designed for indoor and outdoor applications that is ideal for use with camera or dome. It can power up one dome with a heater to pan/tilt, blower, or other camera operations.

The unit has one fused output and is capable of handling total load of 72 VA. For operating in different installation environment, two models are available. The P1030 is for 110~115 VAC power input and the P2030 is for 220~230 VAC.

The power box provides protection enclosure for water resistance and an alarm board for users' convenience as well.

APPLICATIONS

The components in power box are described as the following diagrams and tables. Refer to the information supplied in this section for operation.



Port	CABLE Diameter	Purpose
C1, C3	6mm~12mm	For power cord (AC110V/220V or AC24V)
C2, C4	10mm~14mm	For dome or external data cable

Power Box Diagram



1 & 2: Commutation signal terminal block

1 (J1)		2 (J6)	
Pin	Definition	Pin	Definition
1	RX+	1	RX+
2	RX-	2	RX-
3	TX+	3	TX+
4	TX-	4	TX-
5	ISOG	5	ISOG
6	VGND	6	VGND
7	VIDEO	7	VIDEO

3 & 4: Power signal terminal block

3 (J5)		4 (J2)	
Pin	Definition	Pin	Definition
1	AC 24V	1	AC 24V
2	FG	2	FG
3	AC 24V	3	AC 24V

5: Power Plug

AC Plug In.

6: Power adaptor

7: Power Plug in switch voltage

Select the correct **model for 100 ~ 115 VAC** or 220 ~ 230 VAC power Input to meet your environment requirement.

- **Model P1030: 100VAC or 115VAC**
- Model P2030: 220VAC or 230VAC

Alarm Board Diagram



- **Alarm board pin definition**

10 (J2)	
Pin	Definition
ALR_COM	ALARM COM
ALR_NC	ALARM Normal Close
ALR_NO	ALARM Normal Open
ALR_GND	ALARM GND
ALARM 8	ALARM PIN 8
ALARM 7	ALARM PIN 7

8 (J1)	
Pin	Definition
ALR_COM	ALARM COM
ALR_NC	ALARM Normal Close
ALR_NO	ALARM Normal Open
ALR_GND	ALARM GND
ALARM 8	ALARM PIN 8
ALARM 7	ALARM PIN 7

11 (J3)	
Pin	Definition
ALARM 6	ALARM PIN 6
ALARM 5	ALARM PIN 5
ALARM 4	ALARM PIN 4
ALARM 3	ALARM PIN 3
ALARM 2	ALARM PIN 2
ALARM 1	ALARM PIN 1

9 (J4)	
Pin	Definition
ALARM 6	ALARM PIN 6
ALARM 5	ALARM PIN 5
ALARM 4	ALARM PIN 4
ALARM 3	ALARM PIN 3
ALARM 2	ALARM PIN 2
ALARM 1	ALARM PIN 1

OPERATION

Connection Notice

- Do not plug in the power supply before making any connection.
- Check if the power box model meets your input voltage requirement.

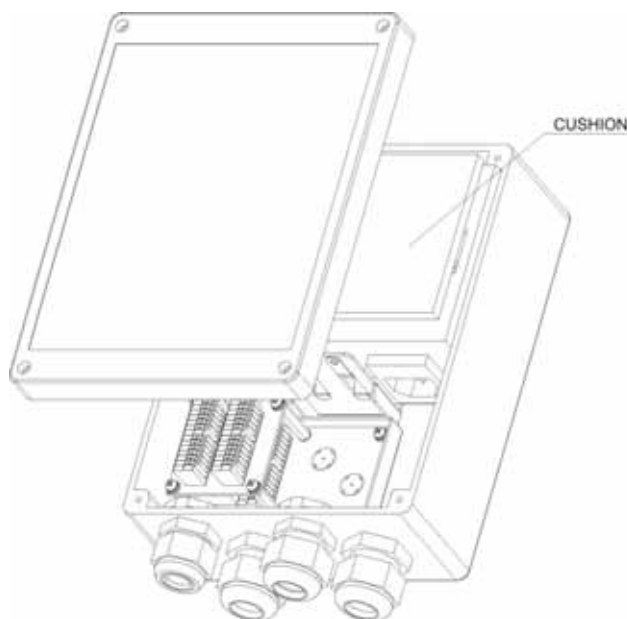
Installation

The following items are supplied:

- D77H07 Power Box Unit
- Alarm board

Follow the steps for setting power box:

- Screw the lid off the unit.
- Removing the cushion in the power box.



- Refer to the Power box diagram in this manual to attach commutation and power signal wires.
- Refer to the Alarm board diagram for attaching alarm in- and output wires if needed.
- Switch the appropriate power plug in voltage.
- Confirm the above procedures again.
- Plug in the unit.

SPECIFICATION

NOTE: Transformer is field changeable to support either 100~115Vac or 220~230Vac.

Electrical

Power source.....100~115 / 220~230Vac @ 50-60Hz

Input current.....1.0A

Output: 24Vac (max 29Vac), 3.0A max.

Certified Limited Power Source

Mechanical

Environment..... Indoor / Outdoor

Wall mounting options..... Bracket plate

Dimensions (H x W x D)... 187 x 147 x 76 mm (7.36 x 5.78 x 3 inches)

Mounting area (H x W)..... 187 x 147 (7.36 x 7.16 inches)

Weight..... 2 KG

Enclosure material..... Impact resistant polycarbonate non-metallic

Flammability rating..... UL 94V-1

Color..... Light gray

Cover fasteners 4 captive screws

Environmental

Waterproof standard.....IP66

Operating temperature.....-40°C to 50°C (-40°F to 122°F)

Storage temperature.....-40°C to 50°C (-40°F to 122°F)

Relative Humidity.....0 to 95% non-condensing

Regulatory Compliance

Reg. ID77H07-P1030, 77H07-P2030

SafetyUL 60950

.....CSA C22.2 No. 60950

.....GS No.60950

.....LVD EN 60950

EMC.....FCC, CE, C-tick, VCCI ClassA



IP66

MECHANICAL

