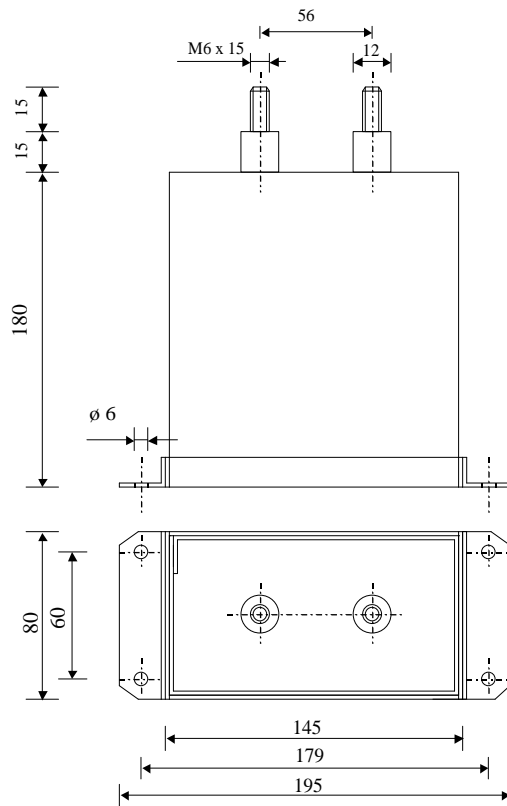


#5508

Metallized polypropylene capacitors

PPM 800-2.0 r K



Dielectric of metallized polypropylene

Threaded outputs

Resin end sealing

Aluminium case
thick 1.2 mm

Parameter	Symbol	Value	Unit	Condition
Capacitance	C	2	μF	1 V / 1 kHz
Tolerance		± 10	%	
Rated voltage	Un DC	8'000	VDC	
Rated voltage	Un AC	2600	Veff	50 to 400 Hz
RMS Current	I _{eff} max	20	A _{eff}	10 kHz
slope of voltage variation	du/dt max.	500	V/ μsec	max. repetitive
Repetitive surge current	I cr. max	1000	A	
Tangente delta	tg δ	7	10^{-4}	1 V / 1 kHz
Equivalent serie resistance	ESR	≤ 25	m Ω	10 kHz
Stray inductance	ESL	≤ 250	nH	
Insulation resistance	Ri x C	$> 20'000$	s	500 VDC - 1 min
Test voltage between terminals	U T1	12'000	VDC	10 s
Test voltage between terminals to case	U T2	12'000	VDC	10 s
Operating temp.		- 25 / + 70 °C		
Estimated operational life (-3%)		100'000	h	Un DC / 70°C

Dimension	Symbol	Value	Unit	Conditions
Width	B	80	mm	
Length	L	145	mm	
Height	H	180	mm	
Thread		M6 x 15	mm	
Thread spacing		56	mm	

	M1			
	M0			
	Modification	Date	Visa émetteur	