

Manual

P550HVN03.2

AUO

Our company network supports you worldwide with offices in Germany, Austria, Switzerland, Great Britain and the USA. For more information please contact:

FORTEC Elektronik AG

Hauptniederlassung
Lechwiesenstr. 9
86899 Landsberg am Lech

Telefon: +49 (0) 8191 91172-0
Telefax: +49 (0) 8191 21770
E-Mail: sales@fortecag.de
Internet: www.fortecag.de

FORTEC Elektronik AG

Büro West
Hohenstaufenring 55
50674 Köln

Telefon: +49 (0) 221 272 273-0
Telefax: +49 (0) 221 272 273-10
E-Mail: west@fortecag.de
Internet: www.fortecag.de

FORTEC Elektronik AG

Büro Wien
Nuschingasse 12
A-1230 Wien

Telefon: +43 1 8673492-0
Telefax: +43 1 8673492-26
E-Mail: office@fortec.at
Internet: www.fortec.at

ALTRAC AG

(Tochter der FORTEC):
Bahnhofstraße 3
CH-5436 Würenlos

Telefon: +41 (0) 44 7446111
Telefax: +41 (0) 44 7446161
E-Mail: info@altrac.ch
Internet: www.altrac.ch

The information contained in this document has been carefully researched and is, to the best of our knowledge, accurate. However, we assume no liability for any product failures or damages, immediate or consequential, resulting from the use of the information provided herein. Our products are not intended for use in systems in which failures of product could result in personal injury. All trademarks mentioned herein are property of their respective owners. All specifications are subject to change without notice.

Model Name: P550HVN03.2

Issue Date : 2015/3/12

() Preliminary Specifications

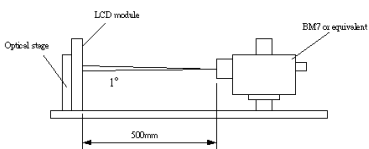
(*) Final Specifications

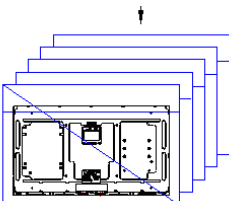
Customer Signature	Date	AUO	Date
Approved By _____		Approval By PM Director Kelly Kao <i>Kelly Kao</i> _____	
Note		Reviewed By RD Director Eugene CC Chen <i>陳品川</i> _____	
		Reviewed By Project Leader Alex HM <i>陳長嘜</i> _____	
		Prepared E <i>吳宗翰</i> Rafael Lu _____	

Contents

1.	General Description	5
2.	Absolute Maximum Ratings	6
3.	Interface Specification	7
3.1	Input Power	7
3.2	Input Connections	9
3.3	Input Data Format	11
3.3.1	Data mapping	11
3.3.2	Color Input Data Reference	13
4.	Signal Timing Specification	15
4.1	Input Timing	15
4.1.1	Timing table	15
4.1.2	Signal Timing Waveforms	16
4.2	Input interface characteristics	17
4.2.1	LVDS	17
4.3	Power sequence for LCD	19
5.	Backlight Electrical Specification	20
5.1	Electrical specification	20
5.2	Input Pin Assignment	21
5.3	Power Sequence for Backlight	23
6.	Optical Specification	24
7.	Mechanical Characteristics	28
7.1	Placement Suggestions	28
8.	Reliability Test Items	31
9.	International Standard	32
	Safety	32
	EMC	32
10.	Packing	33
10-2	PACKING METHODS:	34
10-3	Pallet and Shipment Information	35
11.	Precautions	36
11.1	Mounting Precautions	36
11.2	Operating Precautions	36
11.3	Operating Condition for Public Information Display	36
11.4	Electrostatic Discharge Control	37
11.5	Precautions for Strong Light Exposure	37
11.6	Storage	37
11.7	Handling Precautions for Protection Film	38

Record of Revision

Version	Date	Page	Description																																																		
0.0	2014/12/12		First release																																																		
0.1	2014/12/16	7	<table border="1"> <thead> <tr> <th>Item</th> <th>Symbol</th> <th>Min.</th> <th>Typ.</th> <th>Max</th> <th>Unit</th> <th>Note</th> </tr> </thead> <tbody> <tr> <td>Power Supply Input Voltage</td> <td>V_{DD}</td> <td>10.8</td> <td>12</td> <td>13.2</td> <td>V</td> <td>1</td> </tr> <tr> <td rowspan="3">Power Supply Input Current</td> <td>Black pattern</td> <td>-</td> <td>0.46</td> <td>0.56</td> <td>A</td> <td rowspan="3">2</td> </tr> <tr> <td>White pattern</td> <td>-</td> <td>0.47</td> <td>0.57</td> <td>A</td> </tr> <tr> <td>Heavy load pattern</td> <td>-</td> <td>0.74</td> <td>0.89</td> <td>A</td> </tr> <tr> <td rowspan="2">Power Consumption</td> <td>Black pattern</td> <td>-</td> <td>5.52</td> <td>7.29</td> <td>Watt</td> <td rowspan="2">2</td> </tr> <tr> <td>White pattern</td> <td>-</td> <td>5.64</td> <td>7.45</td> <td>Watt</td> </tr> <tr> <td>Inrush Current</td> <td>I_{RUSH}</td> <td>-</td> <td>--</td> <td>TBD</td> <td>A</td> <td>3</td> </tr> </tbody> </table>	Item	Symbol	Min.	Typ.	Max	Unit	Note	Power Supply Input Voltage	V _{DD}	10.8	12	13.2	V	1	Power Supply Input Current	Black pattern	-	0.46	0.56	A	2	White pattern	-	0.47	0.57	A	Heavy load pattern	-	0.74	0.89	A	Power Consumption	Black pattern	-	5.52	7.29	Watt	2	White pattern	-	5.64	7.45	Watt	Inrush Current	I _{RUSH}	-	--	TBD	A	3
Item	Symbol	Min.	Typ.	Max	Unit	Note																																															
Power Supply Input Voltage	V _{DD}	10.8	12	13.2	V	1																																															
Power Supply Input Current	Black pattern	-	0.46	0.56	A	2																																															
	White pattern	-	0.47	0.57	A																																																
	Heavy load pattern	-	0.74	0.89	A																																																
Power Consumption	Black pattern	-	5.52	7.29	Watt	2																																															
	White pattern	-	5.64	7.45	Watt																																																
Inrush Current	I _{RUSH}	-	--	TBD	A	3																																															
		7	Remove 3.1 Note 2H strip pattern																																																		
		20	<table border="1"> <thead> <tr> <th>Item</th> <th>Symbol</th> <th>Condition</th> <th>Min</th> <th>Typ</th> <th>Max</th> <th>Unit</th> <th>Note</th> </tr> </thead> <tbody> <tr> <td>1 Power Supply Input Voltage</td> <td>V_{DDB}</td> <td>-</td> <td>22.8</td> <td>24</td> <td>25.2</td> <td>V</td> <td>-</td> </tr> <tr> <td>2 Power Supply Input Current</td> <td>I_{DD}</td> <td>V_{DDB}=24V</td> <td></td> <td>4.02</td> <td>4.19</td> <td>A</td> <td>1</td> </tr> <tr> <td>3 Power Consumption</td> <td>P_{DD}</td> <td>V_{DDB}=24V</td> <td></td> <td>96.5</td> <td>105.6</td> <td>Watt</td> <td>1</td> </tr> <tr> <td>4 Inrush Current</td> <td>I_{RUSH}</td> <td>V_{DDB}=24V</td> <td></td> <td></td> <td>TBD</td> <td>A</td> <td>2</td> </tr> </tbody> </table>	Item	Symbol	Condition	Min	Typ	Max	Unit	Note	1 Power Supply Input Voltage	V _{DDB}	-	22.8	24	25.2	V	-	2 Power Supply Input Current	I _{DD}	V _{DDB} =24V		4.02	4.19	A	1	3 Power Consumption	P _{DD}	V _{DDB} =24V		96.5	105.6	Watt	1	4 Inrush Current	I _{RUSH}	V _{DDB} =24V			TBD	A	2										
Item	Symbol	Condition	Min	Typ	Max	Unit	Note																																														
1 Power Supply Input Voltage	V _{DDB}	-	22.8	24	25.2	V	-																																														
2 Power Supply Input Current	I _{DD}	V _{DDB} =24V		4.02	4.19	A	1																																														
3 Power Consumption	P _{DD}	V _{DDB} =24V		96.5	105.6	Watt	1																																														
4 Inrush Current	I _{RUSH}	V _{DDB} =24V			TBD	A	2																																														
		23	T6 - 1000 ms																																																		
		19	(3) When user control signal is N.C. (no connection), opened in Transmitted end, t8 timing spec can be negligible.																																																		
		33	Update packing method																																																		
0.2	2014/12/22	24																																																			
		30	Add shock, vibration test item																																																		
		19	Delete t10, t11																																																		
		24	Update brightness from 500nit to 700nits																																																		
0.3	2014/12/29	27	Update 7.1 placement suggestions																																																		
		30	7 Vibration test (With carton) 1 (PKG) Random wave (1.04G RMS, 2-200Hz) 20mins per each X,Y,Z axes																																																		
		30	8 Drop test (With carton) 1 (PKG) Surround four flats drop height: 15 cm Bottom flat drop height: 25.4 cm twice (ASTM D4169)																																																		
1.0	2015/3/12	25	Update Note 4																																																		
		35	Update 10-3 Pallet and Shipment Information																																																		

		7	<p>3.1 Input Power</p> <table border="1"> <thead> <tr> <th>Item</th> <th>Symbol</th> <th>Min</th> <th>Typ</th> <th>Max</th> <th>Unit</th> <th>Note</th> </tr> </thead> <tbody> <tr> <td>Power Supply Input Voltage</td> <td>V_{DD}</td> <td>10.8</td> <td>12</td> <td>13.2</td> <td>V</td> <td>1</td> </tr> <tr> <td rowspan="3">Power Supply Input Current</td> <td>Black pattern</td> <td>-</td> <td>0.46</td> <td>0.56</td> <td>A</td> <td></td> </tr> <tr> <td>White pattern</td> <td>-</td> <td>0.47</td> <td>0.57</td> <td>A</td> <td></td> </tr> <tr> <td>Heavy load pattern</td> <td>-</td> <td>0.74</td> <td>0.89</td> <td>A</td> <td>2</td> </tr> <tr> <td rowspan="3">Power Consumption</td> <td>Black pattern</td> <td>-</td> <td>5.52</td> <td>7.29</td> <td>Watt</td> <td></td> </tr> <tr> <td>White pattern</td> <td>-</td> <td>5.64</td> <td>7.45</td> <td>Watt</td> <td></td> </tr> <tr> <td>Heavy load pattern</td> <td>-</td> <td>8.88</td> <td>11.73</td> <td>Watt</td> <td></td> </tr> <tr> <td>Inrush Current</td> <td>I_{rush}</td> <td>-</td> <td>-</td> <td>-</td> <td>A</td> <td>3</td> </tr> </tbody> </table>	Item	Symbol	Min	Typ	Max	Unit	Note	Power Supply Input Voltage	V _{DD}	10.8	12	13.2	V	1	Power Supply Input Current	Black pattern	-	0.46	0.56	A		White pattern	-	0.47	0.57	A		Heavy load pattern	-	0.74	0.89	A	2	Power Consumption	Black pattern	-	5.52	7.29	Watt		White pattern	-	5.64	7.45	Watt		Heavy load pattern	-	8.88	11.73	Watt		Inrush Current	I _{rush}	-	-	-	A	3																						
Item	Symbol	Min	Typ	Max	Unit	Note																																																																														
Power Supply Input Voltage	V _{DD}	10.8	12	13.2	V	1																																																																														
Power Supply Input Current	Black pattern	-	0.46	0.56	A																																																																															
	White pattern	-	0.47	0.57	A																																																																															
	Heavy load pattern	-	0.74	0.89	A	2																																																																														
Power Consumption	Black pattern	-	5.52	7.29	Watt																																																																															
	White pattern	-	5.64	7.45	Watt																																																																															
	Heavy load pattern	-	8.88	11.73	Watt																																																																															
Inrush Current	I _{rush}	-	-	-	A	3																																																																														
		10	<p>5.1 Electrical specification</p> <table border="1"> <thead> <tr> <th>Item</th> <th>Symbol</th> <th>Condition</th> <th>Min</th> <th>Typ</th> <th>Max</th> <th>Unit</th> <th>Note</th> </tr> </thead> <tbody> <tr> <td>1 Power Supply Input Voltage</td> <td>V_{DD}</td> <td>-</td> <td>22.8</td> <td>24</td> <td>25.2</td> <td>V</td> <td>-</td> </tr> <tr> <td>2 Power Supply Input Current</td> <td>I_{DD}</td> <td>V_{DD}=24V</td> <td>4.02</td> <td>4.19</td> <td>-</td> <td>A</td> <td>1</td> </tr> <tr> <td>3 Power Consumption</td> <td>P_{DD}</td> <td>V_{DD}=24V</td> <td>96.5</td> <td>105.6</td> <td>-</td> <td>Watt</td> <td>1</td> </tr> <tr> <td>4 Inrush Current</td> <td>I_{rush}</td> <td>V_{DD}=24V</td> <td>-</td> <td>-</td> <td>-</td> <td>A</td> <td>2</td> </tr> </tbody> </table>	Item	Symbol	Condition	Min	Typ	Max	Unit	Note	1 Power Supply Input Voltage	V _{DD}	-	22.8	24	25.2	V	-	2 Power Supply Input Current	I _{DD}	V _{DD} =24V	4.02	4.19	-	A	1	3 Power Consumption	P _{DD}	V _{DD} =24V	96.5	105.6	-	Watt	1	4 Inrush Current	I _{rush}	V _{DD} =24V	-	-	-	A	2																																									
Item	Symbol	Condition	Min	Typ	Max	Unit	Note																																																																													
1 Power Supply Input Voltage	V _{DD}	-	22.8	24	25.2	V	-																																																																													
2 Power Supply Input Current	I _{DD}	V _{DD} =24V	4.02	4.19	-	A	1																																																																													
3 Power Consumption	P _{DD}	V _{DD} =24V	96.5	105.6	-	Watt	1																																																																													
4 Inrush Current	I _{rush}	V _{DD} =24V	-	-	-	A	2																																																																													
		34	<p>Update 10-2 packing method</p> 																																																																																	
		24	<p>Update G color coordinates</p> <table border="1"> <thead> <tr> <th>Color Coordinates¹⁾</th> <th>R_x²⁾</th> <th>G_x²⁾</th> <th>B_x²⁾</th> <th>W_x²⁾</th> <th>R_y²⁾</th> <th>G_y²⁾</th> <th>B_y²⁾</th> <th>W_y²⁾</th> </tr> </thead> <tbody> <tr> <td>Red¹⁾</td> <td>R_x²⁾</td> <td></td> <td></td> <td></td> <td>0.640²⁾</td> <td></td> <td></td> <td></td> </tr> <tr> <td></td> <td>R_y²⁾</td> <td></td> <td></td> <td></td> <td>0.330²⁾</td> <td></td> <td></td> <td></td> </tr> <tr> <td>Green¹⁾</td> <td>G_x²⁾</td> <td></td> <td></td> <td></td> <td>0.300²⁾</td> <td></td> <td></td> <td></td> </tr> <tr> <td></td> <td>G_y²⁾</td> <td>Typ: -0.03²⁾</td> <td></td> <td></td> <td>0.620²⁾</td> <td></td> <td></td> <td></td> </tr> <tr> <td>Blue¹⁾</td> <td>B_x²⁾</td> <td></td> <td></td> <td></td> <td>0.150²⁾</td> <td></td> <td></td> <td></td> </tr> <tr> <td></td> <td>B_y²⁾</td> <td></td> <td></td> <td></td> <td>0.050²⁾</td> <td></td> <td></td> <td></td> </tr> <tr> <td>White¹⁾</td> <td>W_x²⁾</td> <td></td> <td></td> <td></td> <td>0.280²⁾</td> <td></td> <td></td> <td></td> </tr> <tr> <td></td> <td>W_y²⁾</td> <td></td> <td></td> <td></td> <td>0.290²⁾</td> <td></td> <td></td> <td></td> </tr> </tbody> </table>	Color Coordinates ¹⁾	R _x ²⁾	G _x ²⁾	B _x ²⁾	W _x ²⁾	R _y ²⁾	G _y ²⁾	B _y ²⁾	W _y ²⁾	Red ¹⁾	R _x ²⁾				0.640 ²⁾					R _y ²⁾				0.330 ²⁾				Green ¹⁾	G _x ²⁾				0.300 ²⁾					G _y ²⁾	Typ: -0.03 ²⁾			0.620 ²⁾				Blue ¹⁾	B _x ²⁾				0.150 ²⁾					B _y ²⁾				0.050 ²⁾				White ¹⁾	W _x ²⁾				0.280 ²⁾					W _y ²⁾				0.290 ²⁾			
Color Coordinates ¹⁾	R _x ²⁾	G _x ²⁾	B _x ²⁾	W _x ²⁾	R _y ²⁾	G _y ²⁾	B _y ²⁾	W _y ²⁾																																																																												
Red ¹⁾	R _x ²⁾				0.640 ²⁾																																																																															
	R _y ²⁾				0.330 ²⁾																																																																															
Green ¹⁾	G _x ²⁾				0.300 ²⁾																																																																															
	G _y ²⁾	Typ: -0.03 ²⁾			0.620 ²⁾																																																																															
Blue ¹⁾	B _x ²⁾				0.150 ²⁾																																																																															
	B _y ²⁾				0.050 ²⁾																																																																															
White ¹⁾	W _x ²⁾				0.280 ²⁾																																																																															
	W _y ²⁾				0.290 ²⁾																																																																															

AUO Confidential For FORTEC Internal Use Only On 2015/09/08

1. General Description

This specification applies to the 54.6 inch Color TFT-LCD Module P550HVN03.2. This LCD module has a TFT active matrix type liquid crystal panel 1,920x1,080 pixels, and diagonal size of 54.6 inch. This module supports 1,920x1080 mode. Each pixel is divided into Red, Green and Blue sub-pixels or dots which are arranged in vertical stripes. Gray scale or the brightness of the sub-pixel color is determined with a 10-bit gray scale signal for each dot.

The P550HVN03.2 has been designed to apply the 10-bit 2 channel LVDS interface method. It is intended to support displays where high brightness, wide viewing angle, high color saturation, and high color depth.

* General Information

Items	Specification	Unit	Note
Active Screen Size	54.6	Inch	
Display Area	1209.6(H) x 680.4(V)	mm	
Outline Dimension	1235.6(H) x 706.4(V) x 25.5(D)	mm	1
Driver Element	a-Si TFT active matrix		
Display Colors	10 bit (8bit+FRC), 1073.7M	Colors	
Number of Pixels	1,920x1080	Pixel	
Pixel Pitch	0.63 (H) x 0.63(W)	mm	
Pixel Arrangement	RGB vertical stripe		
Display Operation Mode	Normally Black		
Display Orientation	Landscape/Portrait Enable		
Surface Treatment	AG		Haze = 11%

Note:

(1)Dmax: 25.5mm (Front bezel to Driver cover); Dmin: 9.9mm (Front bezel to Bezel back)

2. Absolute Maximum Ratings

The followings are maximum values which, if exceeded, may cause faulty operation or damage to the unit

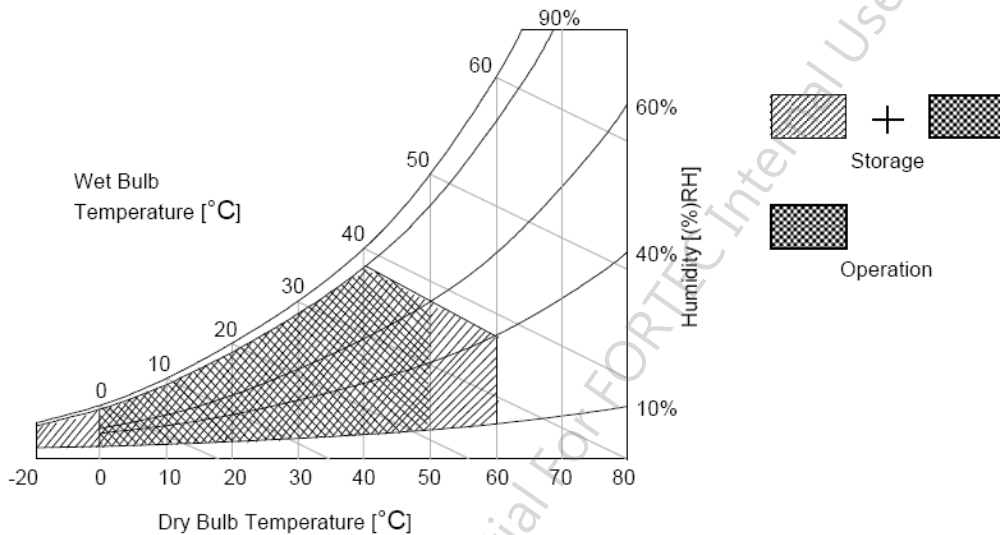
Item	Symbol	Min	Max	Unit	Notes
Power supply input voltage	V _{DD}	-0.3	14	[Volt]	1
Control Signal Input Voltage	V _{in}	-0.3	4	[Volt]	1
Operating Temperature	TOP	0	+50	[°C]	2
Operating Humidity	HOP	10	90	[%RH]	2
Storage Temperature	TST	-20	+60	[°C]	2
Storage Humidity	HST	10	90	[%RH]	2
Panel Surface Temperature	PST		65	[°C]	3

Note 1: Duration:50 msec.

Note 2 : Maximum Wet-Bulb should be 39°C and No condensation.

The relative humidity must not exceed 90% non-condensing at temperatures of 40°C or less. At temperatures greater than 40°C, the wet bulb temperature must not exceed 39°C.

Note 3: Surface temperature is measured at 50°C Dry condition



3. Interface Specification

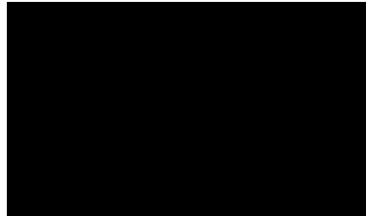
3.1 Input Power

Item	Symbol	Min.	Typ.	Max	Unit	Note
Power Supply Input Voltage	V_{DD}	10.8	12	13.2	V	1
Power Supply Input Current	Black pattern	-	0.46	0.56	A	2
	White pattern	-	0.47	0.57	A	
	Heavy load pattern	-	0.74	0.89	A	
Power Consumption	Black pattern	-	5.52	7.29	Watt	2
	White pattern	-	5.64	7.45	Watt	
	Heavy load pattern	-	8.88	11.73	Watt	
Inrush Current	I_{RUSH}	--	--	4	A	3

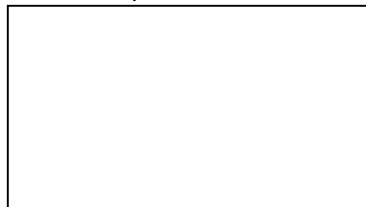
Note1. The ripple voltage should be fewer than 5% of VDD.

Note2. Test Condition:

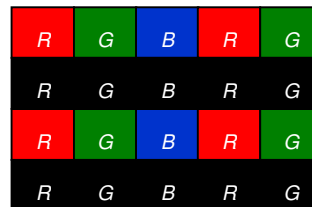
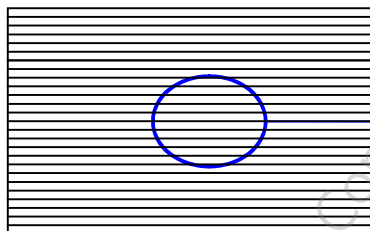
- (1) $V_{DD} = 12.0V$
- (2) $F_v = 60Hz$
- (3) $F_{clk} = 74.25MHz$.
- (4) Temperature = 25 °C
- (5) Power dissipation check pattern. (Only for power design)
 - a. Black pattern

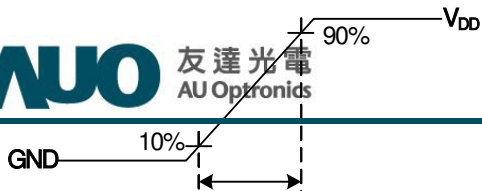


b. White pattern

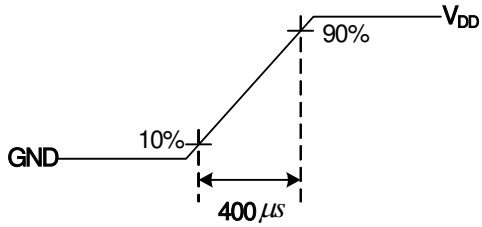


c. Heavy load pattern patterns
H-strip pattern





Note3. Measurement condition : Rising time = 400us



AUO Confidential For FORTEC Internal Use Only On 2015/09/08

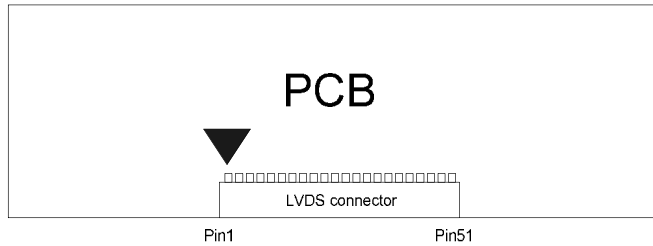
3.2 Input Connections

- **LCD connector : JAE FI-RTE51SZ-HF or Compatible**

PIN	Symbol	Description	PIN	Symbol	Description
1	N.C.	No connection (for AUO test only. Do not connect)	26	GND	Ground
2	N.C.	No connection (for AUO test only. Do not connect)	27	GND	Ground
3	N.C.	No connection (for AUO test only. Do not connect)	28	CH2_0-	LVDS Channel 2, Signal 0-
4	N.C.	No connection (for AUO test only. Do not connect)	29	CH2_0+	LVDS Channel 2, Signal 0+
5	BITSEL	LVDS 8/10bit Input Selection Low(GND) : 8bits Open/High(3.3V) : 10bits	30	CH2_1-	LVDS Channel 2, Signal 1-
6	N.C.	No connection (for AUO test only. Do not connect)	31	CH2_1+	LVDS Channel 2, Signal 1+
7	LVDS_SEL	Open/High(3.3V) for NS, Low(GND) for JEIDA	32	CH2_2-	LVDS Channel 2, Signal 2-
8	N.C.	No connection (for AUO test only. Do not connect)	33	CH2_2+	LVDS Channel 2, Signal 2+
9	N.C.	No connection (for AUO test only. Do not connect)	34	GND	Ground
10	N.C.	No connection (for AUO test only. Do not connect)	35	CH2_CLK-	LVDS Channel 2, Clock -
11	GND	Ground	36	CH2_CLK+	LVDS Channel 2, Clock +
12	CH1_0-	LVDS Channel 1, Signal 0-	37	GND	Ground
13	CH1_0+	LVDS Channel 1, Signal 0+	38	CH2_3-	LVDS Channel 2, Signal 3-
14	CH1_1-	LVDS Channel 1, Signal 1-	39	CH2_3+	LVDS Channel 2, Signal 3+
15	CH1_1+	LVDS Channel 1, Signal 1+	40	CH2_4-	LVDS Channel 2, Signal 4-
16	CH1_2-	LVDS Channel 1, Signal 2-	41	CH2_4+	LVDS Channel 2, Signal 4+
17	CH1_2+	LVDS Channel 1, Signal 2+	42	GND	Ground
18	GND	Ground	43	N.C.	No connection (for AUO test only. Do not connect)
19	CH1_CLK-	LVDS Channel 1, Clock -	44	GND	Ground
20	CH1_CLK+	LVDS Channel 1, Clock +	45	GND	Ground
21	GND	Ground	46	GND	Ground
22	CH1_3-	LVDS Channel 1, Signal 3-	47	N.C.	No connection (for AUO test only. Do not connect)
23	CH1_3+	LVDS Channel 1, Signal 3+	48	V _{DD}	Power Supply, +12V DC Regulated
24	CH1_4-	LVDS Channel 1, Signal 4-	49	V _{DD}	Power Supply, +12V DC Regulated
25	CH1_4+	LVDS Channel 1, Signal 4+	50	V _{DD}	Power Supply, +12V DC Regulated

51	V _{DD}	Power Supply, +12V DC Regulated
----	-----------------	---------------------------------

Note1. Pin number start from the left side as the following figure.



Note2. Please leave “N.C.” pin unoccupied. It can not be connected by any signal (Low/GND/High).

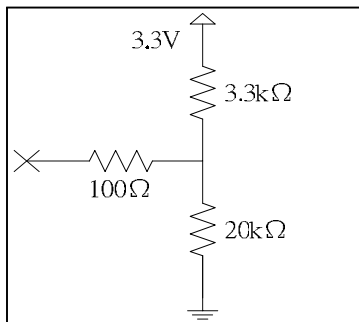
Note3. Input control signal threshold voltage definition

Item	Symbol	Min.	Typ.	Max.	Unit
Input High Threshold Voltage	V _{IH}	2.7	-	3.6	V
Input Low Threshold Voltage	V _{IL}	0	-	0.6	V

Note4. LVDS data format selection

LVDS_SEL	Mode
H or OPEN	NS
L	Jeida

Input equivalent impedance of LVDE_SEL pin

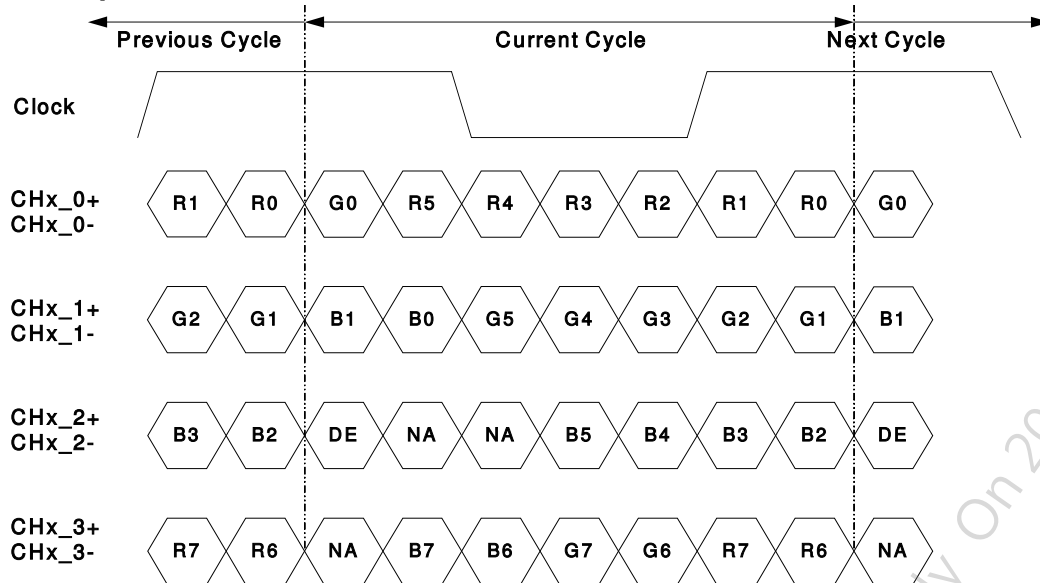


3.3 Input Data Format

3.3.1 Data mapping

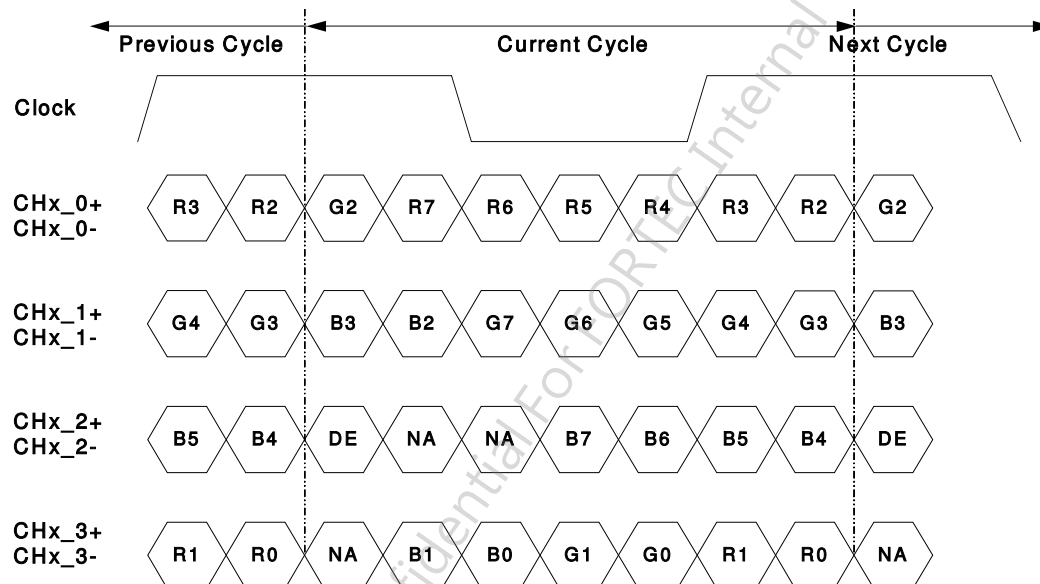
LVDS Option for 8bit

■ LVDS Option NS



Note: x = 1, 2, 3, 4...

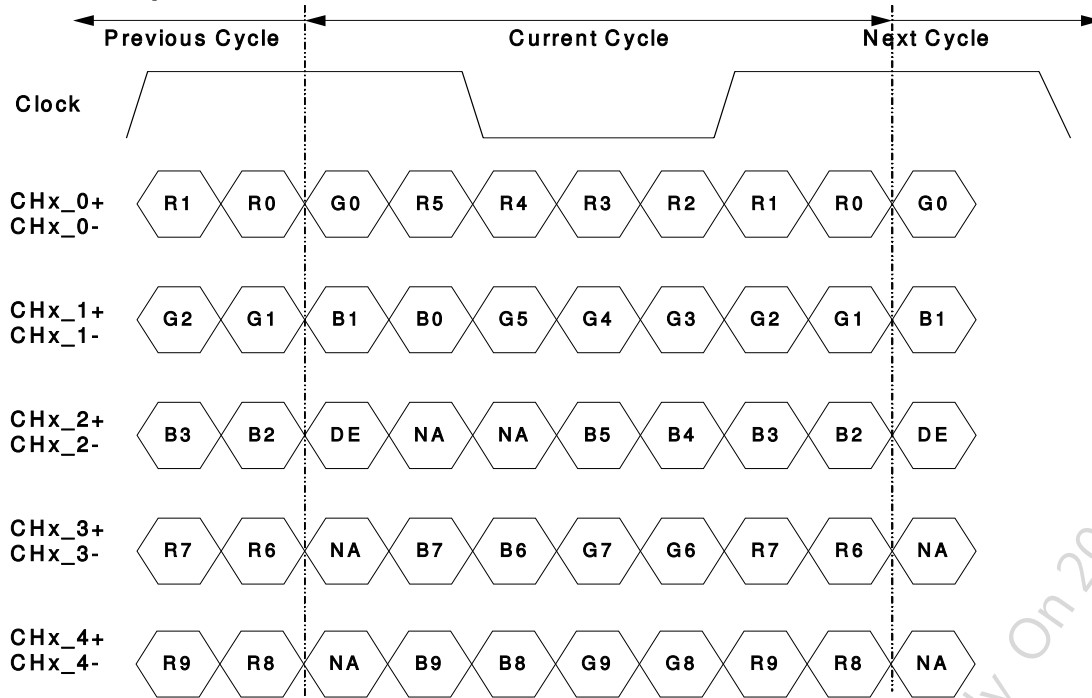
■ LVDS Option JEIDA



Note: x = 1, 2, 3, 4...

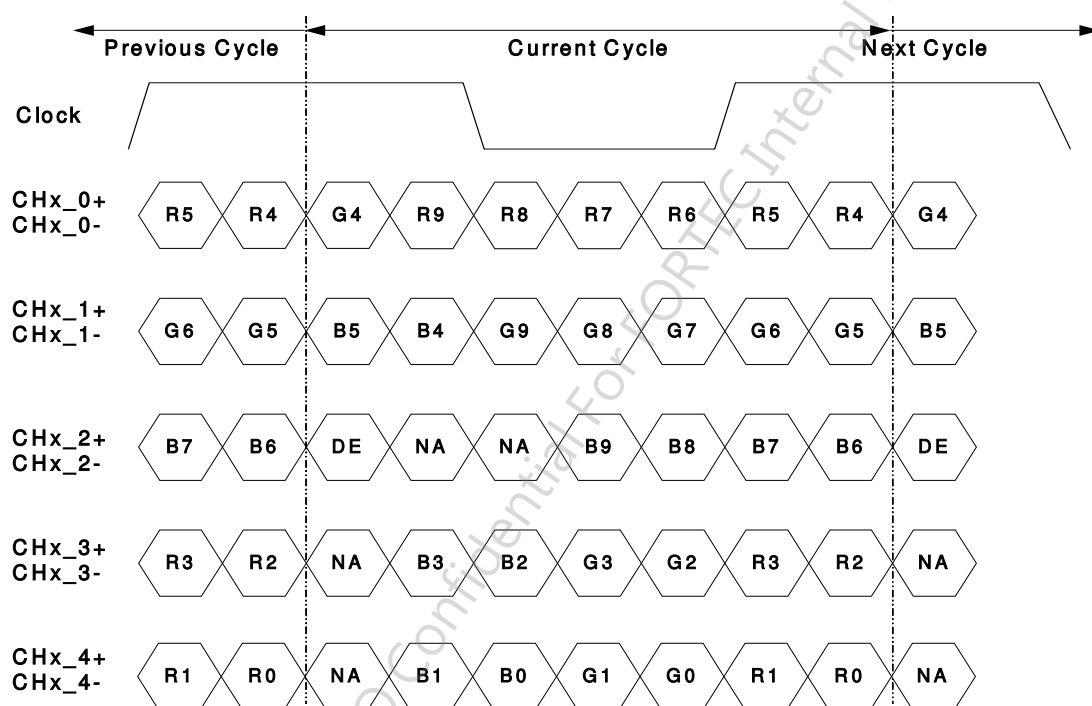
LVDS Option for 10bit

■ **LVDS Option NS**



Note: x = 1, 2, 3, 4...

■ **LVDS Option JEIDA**



Note: x = 1, 2, 3, 4...

3.3.2 Color Input Data Reference
3.3.2.1 Option for 8 bit

The brightness of each primary color (red, green and blue) is based on the 8 bit gray scale data input for the color; the higher the binary input, the brighter the color. The table below provides a reference for color versus data input.

COLOR DATA REFERENCE

Color		Input Color Data																							
		RED								GREEN								BLUE							
		MSB				LSB				MSB				LSB				MSB				LSB			
		R7	R6	R5	R4	R3	R2	R1	R0	G7	G6	G5	G4	G3	G2	G1	G0	B7	B6	B5	B4	B3	B2	B1	B0
Basic Color	Black	0	0	0	0	0	0	0	0	0	0	0	0	0	0	0	0	0	0	0	0	0	0	0	0
	Red(255)	1	1	1	1	1	1	1	1	0	0	0	0	0	0	0	0	0	0	0	0	0	0	0	0
	Green(255)	0	0	0	0	0	0	0	0	1	1	1	1	1	1	1	1	0	0	0	0	0	0	0	0
	Blue(255)	0	0	0	0	0	0	0	0	0	0	0	0	0	0	0	0	1	1	1	1	1	1	1	1
	Cyan	0	0	0	0	0	0	0	0	1	1	1	1	1	1	1	1	1	1	1	1	1	1	1	1
	Magenta	1	1	1	1	1	1	1	1	0	0	0	0	0	0	0	0	1	1	1	1	1	1	1	1
	Yellow	1	1	1	1	1	1	1	1	1	1	1	1	1	1	1	1	0	0	0	0	0	0	0	0
	White	1	1	1	1	1	1	1	1	1	1	1	1	1	1	1	1	1	1	1	1	1	1	1	1
R	RED(000)	0	0	0	0	0	0	0	0	0	0	0	0	0	0	0	0	0	0	0	0	0	0	0	0
	RED(001)	0	0	0	0	0	0	0	1	0	0	0	0	0	0	0	0	0	0	0	0	0	0	0	0

	RED(254)	1	1	1	1	1	1	1	0	0	0	0	0	0	0	0	0	0	0	0	0	0	0	0	0
	RED(255)	1	1	1	1	1	1	1	1	0	0	0	0	0	0	0	0	0	0	0	0	0	0	0	0
G	GREEN(000)	0	0	0	0	0	0	0	0	0	0	0	0	0	0	0	0	0	0	0	0	0	0	0	0
	GREEN(001)	0	0	0	0	0	0	0	0	0	0	0	0	0	0	0	1	0	0	0	0	0	0	0	0

	GREEN(254)	0	0	0	0	0	0	0	0	1	1	1	1	1	1	1	0	0	0	0	0	0	0	0	0
	GREEN(255)	0	0	0	0	0	0	0	0	1	1	1	1	1	1	1	1	0	0	0	0	0	0	0	0
B	BLUE(000)	0	0	0	0	0	0	0	0	0	0	0	0	0	0	0	0	0	0	0	0	0	0	0	0
	BLUE(001)	0	0	0	0	0	0	0	0	0	0	0	0	0	0	0	0	0	0	0	0	0	0	0	1

	BLUE(254)	0	0	0	0	0	0	0	0	0	0	0	0	0	0	0	0	1	1	1	1	1	1	1	0
	BLUE(255)	0	0	0	0	0	0	0	0	0	0	0	0	0	0	0	0	1	1	1	1	1	1	1	1

3.3.3.2 Option for 10 bit

The brightness of each primary color (red, green and blue) is based on the 10 bit gray scale data input for the color; the higher the binary input, the brighter the color. The table below provides a reference for color versus data input.

COLOR DATA REFERENCE

Color		Input Color Data																													
		RED										GREEN						BLUE													
		MSB					LSB					MSB			LSB			MSB			LSB										
		R9	R8	R7	R6	R5	R4	R3	R2	R1	R0	G9	G8	G7	G6	G5	G4	G3	G2	G1	G0	B9	B8	B7	B6	B5	B4	B3	B2	B1	B0
Basic Color	Black	0	0	0	0	0	0	0	0	0	0	0	0	0	0	0	0	0	0	0	0	0	0	0	0	0	0	0	0	0	0
	Red(1023)	1	1	1	1	1	1	1	1	1	1	0	0	0	0	0	0	0	0	0	0	0	0	0	0	0	0	0	0	0	0
	Green(1023)	0	0	0	0	0	0	0	0	0	0	1	1	1	1	1	1	1	1	1	1	0	0	0	0	0	0	0	0	0	0
	Blue(1023)	0	0	0	0	0	0	0	0	0	0	0	0	0	0	0	0	0	0	0	0	1	1	1	1	1	1	1	1	1	1
	Cyan	0	0	0	0	0	0	0	0	0	0	1	1	1	1	1	1	1	1	1	1	1	1	1	1	1	1	1	1	1	1
	Magenta	1	1	1	1	1	1	1	1	1	1	0	0	0	0	0	0	0	0	0	0	1	1	1	1	1	1	1	1	1	1
	Yellow	1	1	1	1	1	1	1	1	1	1	1	1	1	1	1	1	1	1	1	1	0	0	0	0	0	0	0	0	0	0
	White	1	1	1	1	1	1	1	1	1	1	1	1	1	1	1	1	1	1	1	1	1	1	1	1	1	1	1	1	1	1
R	RED(000)	0	0	0	0	0	0	0	0	0	0	0	0	0	0	0	0	0	0	0	0	0	0	0	0	0	0	0	0	0	
	RED(001)	0	0	0	0	0	0	0	0	0	1	0	0	0	0	0	0	0	0	0	0	0	0	0	0	0	0	0	0	0	

	RED(1022)	1	1	1	1	1	1	1	1	1	0	0	0	0	0	0	0	0	0	0	0	0	0	0	0	0	0	0	0	0	
	RED(1023)	1	1	1	1	1	1	1	1	1	0	0	0	0	0	0	0	0	0	0	0	0	0	0	0	0	0	0	0	0	
G	GREEN(000)	0	0	0	0	0	0	0	0	0	0	0	0	0	0	0	0	0	0	0	0	0	0	0	0	0	0	0	0	0	
	GREEN(001)	0	0	0	0	0	0	0	0	0	0	0	0	0	0	0	0	0	0	1	0	0	0	0	0	0	0	0	0	0	

	GREEN(1022)	0	0	0	0	0	0	0	0	0	1	1	1	1	1	1	1	1	1	0	0	0	0	0	0	0	0	0	0	0	
	GREEN(1023)	0	0	0	0	0	0	0	0	0	1	1	1	1	1	1	1	1	1	1	0	0	0	0	0	0	0	0	0	0	
B	BLUE(000)	0	0	0	0	0	0	0	0	0	0	0	0	0	0	0	0	0	0	0	0	0	0	0	0	0	0	0	0	0	
	BLUE(001)	0	0	0	0	0	0	0	0	0	0	0	0	0	0	0	0	0	0	0	0	0	0	0	0	0	0	0	0	1	

	BLUE(1022)	0	0	0	0	0	0	0	0	0	0	0	0	0	0	0	0	0	0	0	1	1	1	1	1	1	1	1	1	0	
	BLUE(1023)	0	0	0	0	0	0	0	0	0	0	0	0	0	0	0	0	0	0	0	1	1	1	1	1	1	1	1	1	1	

4. Signal Timing Specification

This is the signal timing required at the input of the user connector. All of the interface signal timing should be satisfied with the following specifications for its proper operation.

4.1 Input Timing

4.1.1 Timing table

Timing Table (DE only Mode)

Signal	Item	Symbol	Min.	Typ.	Max	Unit
Vertical Section	Period	Tv	1100	1125	1480	Th
	Active	Tdisp (v)	1080			
	Blanking	Tblk (v)	20	45	400	Th
Horizontal Section	Period	Th	1040	1100	1328	Tclk
	Active	Tdisp (h)	960			
	Blanking	Tblk (h)	80	140	368	Tclk
Clock	Frequency	Fclk=1/Tclk	53	74.25	82	MHz
Vertical Frequency	Frequency	Fv	47	60	63	Hz
Horizontal Frequency	Frequency	Fh	60	67.5	73	KHz

Notes:

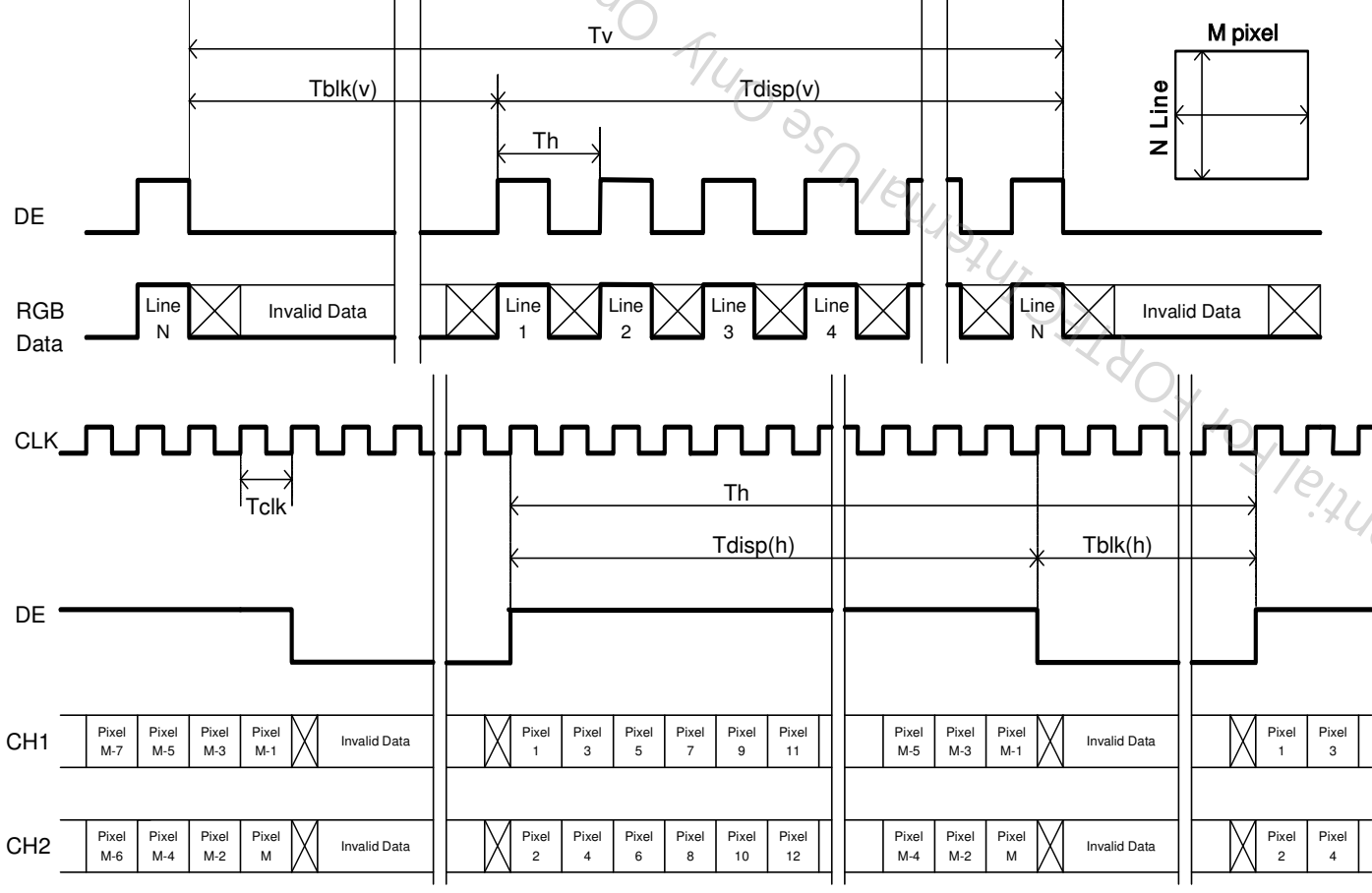
(1) Display position is specific by the rise of DE signal only.

Horizontal display position is specified by the rising edge of 1st DCLK after the rise of 1st DE, is displayed on the left edge of the screen.

(2) Vertical display position is specified by the rise of DE after a "Low" level period equivalent to eight times of horizontal period. The 1st data corresponding to one horizontal line after the rise of 1st DE is displayed at the top line of screen.

(3) If a period of DE "High" is less than 1920 DCLK or less than 1080 lines, the rest of the screen displays black.

(4) The display position does not fit to the screen if a period of DE "High" and the effective data period do not synchronize with each other.

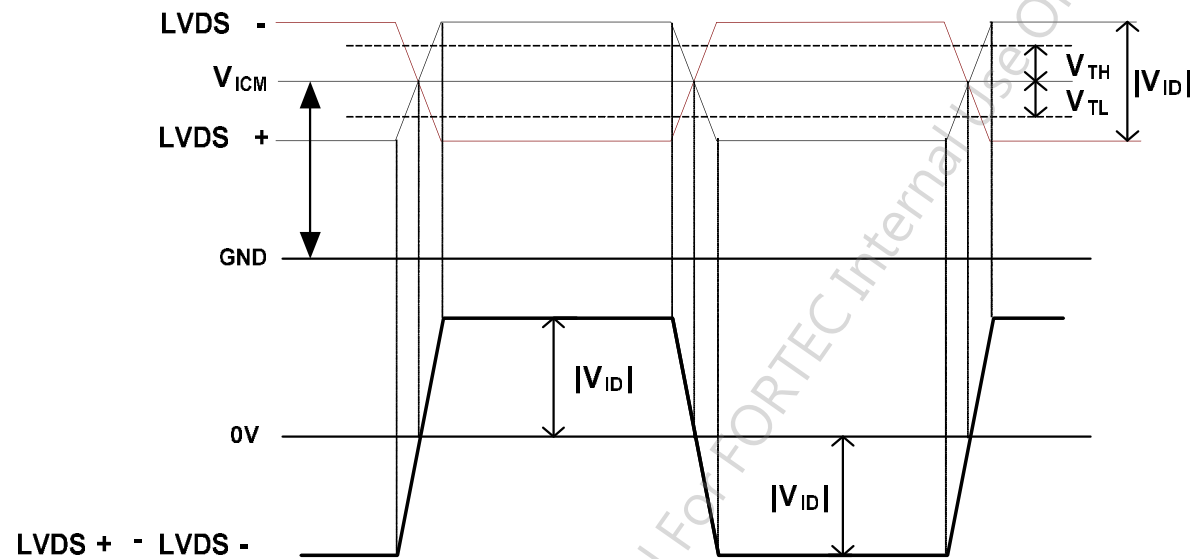
4.1.2 Signal Timing Waveforms


4.2 Input interface characteristics

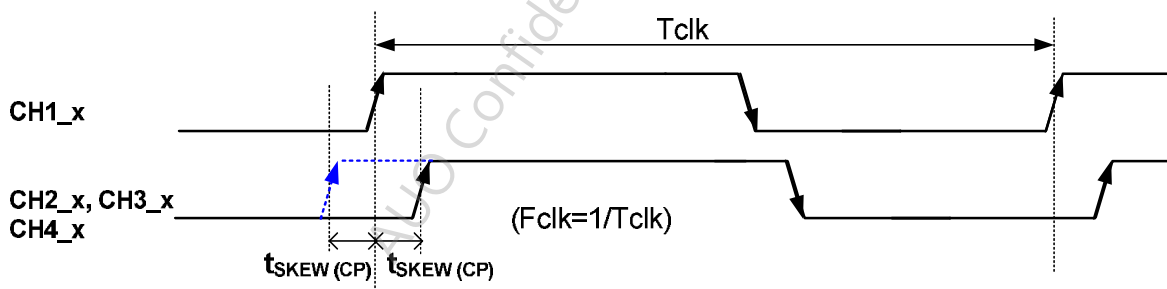
4.2.1 LVDS

Parameter	Symbol	Value			Unit	Note	
		Min.	Typ.	Max			
LVDS Interface	Input Differential Voltage	$ V_{ID} $	200	400	600	mV _{DC}	1
	Differential Input High Threshold Voltage	V_{TH}	+100	--	+300	mV _{DC}	1
	Differential Input Low Threshold Voltage	V_{TL}	-300	--	-100	mV _{DC}	1
	Input Common Mode Voltage	V_{ICM}	1.1	1.25	1.4	V _{DC}	1
	Input Channel Pair Skew Margin	$t_{SKEW (CP)}$	-500	--	+500	ps	2
	Receiver Clock : Spread Spectrum Modulation range	Fclk_ss	Fclk -3%	--	Fclk +3%	MHz	3
	Receiver Clock : Spread Spectrum Modulation frequency	Fss	30	--	200	KHz	3
	Receiver Data Input Margin Fclk = 85 MHz Fclk = 65 MHz	tRMG	-0.4 -0.5	-- --	0.4 0.5	ns	8

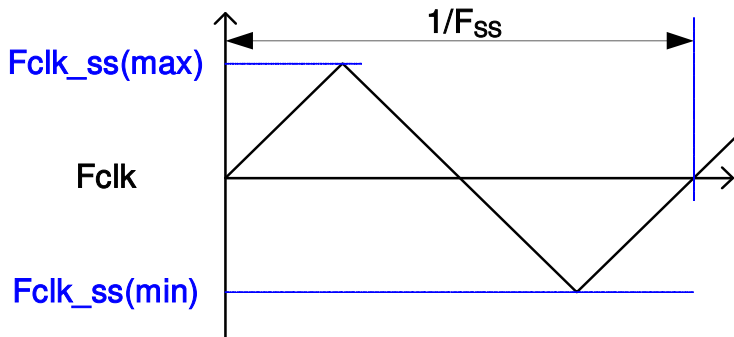
Note1. $V_{ICM} = 1.25V$



Note2. Input Channel Pair Skew Margin

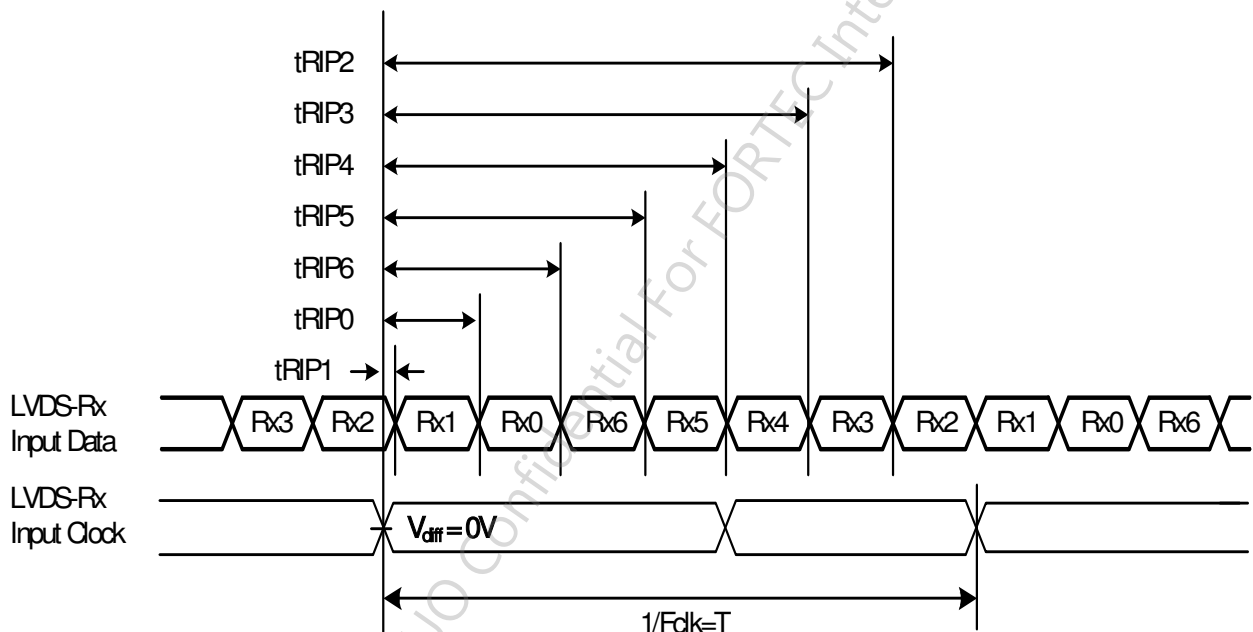


Note3. LVDS Receiver Clock SSCG (Spread spectrum clock generator) is defined as below figures.

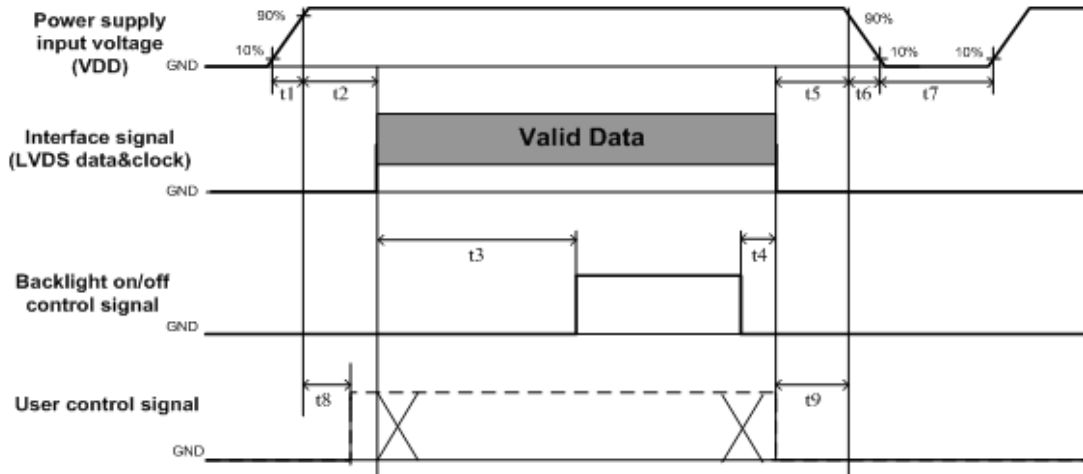


Note4. Receiver Data Input Margin

Parameter	Symbol	Rating			Unit	Note
		Min	Type	Max		
Input Clock Frequency	Fclk	Fclk (min)	--	Fclk (max)	MHz	$T=1/Fclk$
Input Data Position0	tRIP1	- tRMG	0	tRMG	ns	
Input Data Position1	tRIP0	$T/7- tRMG $	$T/7$	$T/7+ tRMG $	ns	
Input Data Position2	tRIP6	$2T/7- tRMG $	$2T/7$	$2T/7+ tRMG $	ns	
Input Data Position3	tRIP5	$3T/7- tRMG $	$3T/7$	$3T/7+ tRMG $	ns	
Input Data Position4	tRIP4	$4T/7- tRMG $	$4T/7$	$4T/7+ tRMG $	ns	
Input Data Position5	tRIP3	$5T/7- tRMG $	$5T/7$	$5T/7+ tRMG $	ns	
Input Data Position6	tRIP2	$6T/7- tRMG $	$6T/7$	$6T/7+ tRMG $	ns	



4.3 Power sequence for LCD



Parameter	Values			Unit
	Min.	Type.	Max.	
t1	0.4	---	30	ms
t2	0.1	---	50	ms
t3	450	---	---	ms
t4	0 ^{*1}	---	---	ms
t5	0	---	---	ms
t6	---	---	--- ^{*2}	ms
t7	500	---	---	ms
t8	20 ^{*3}	---	50	ms
t9	0	---	---	ms

Note:

- (1) t4=0 : concern for residual pattern before BLU turn off.
- (2) t6 : voltage of VDD must decay smoothly after power-off. (customer system decide this value)
- (3) When user control signal is N.C. (no connection), opened in Transmitted end, t8 timing spec can be negligible.

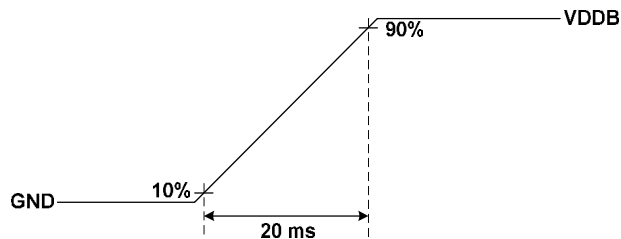
5. Backlight Electrical Specification

5.1 Electrical specification

	Item	Symbol	Condition	Min	Typ	Max	Unit	Note	
1	Power Supply Input Voltage	V _{DDB}	-	22.8	24	25.2	V	-	
2	Power Supply Input Current	I _{DDB}	V _{DDB} =24V		4.02	4.19	A	1	
3	Power Consumption	P _{DDB}	V _{DDB} =24V		96.5	105.6	Watt	1	
4	Inrush Current	I _{RUSH}	V _{DDB} =24V			10	A	2	
5	Control signal voltage	V _{Signal}	V _{DDB} =24V	Hi	2	-	5.5	V	-
				Low	0	-	0.8	V	3
6	Control signal current	I _{Signal}	V _{DDB} =24V	-	-	1.5	mA	-	
7	External PWM Duty ratio (input duty ratio)	D_EPWM	V _{DDB} =24V	0	-	100	%	4	
8	External PWM Frequency	F_EPWM	V _{DDB} =24V	90	180	240	Hz	4	
9	DET status signal	DET	V _{DDB} =24V	Open Collector			V	5	
				Hi	0	-	0.8	V	5
10	Input Impedance	R _{in}	V _{DDB} =24V	300			Kohm	-	
11	Life time			50000	60000			6	

Note 1: Dimming ratio= 100%, (Ta=25±5°C , Turn on for 45minutes)

Note 2: MAX input current while DB turn on, measurement condition V_{DDB} rising time=20ms (V_{DDB}: 10%~90%)



Note 3: When BLU off (V_{DDB} = 24V , V_{BLON} = 0V) , I_{DDB} (max) = 0.1A

Note 4: Less than 5% dimming control is functional well and no backlight shutdown happened

Note 5: Normal: 0~0.8V ; Abnormal : Open collector

Note 6: The lifetime is defined as the time which luminance of LED is 50% compared to its original value.

[Operating condition: Continuous operating at Ta = 25±2°C , for single LED only]

5.2 Input Pin Assignment

LED DB connector: CI0114M1HRL-NH(CviLux) or equivalent

Pin	Symbol	Description	Note
1	VDDDB	Power Supply Input Voltage	
2	VDDDB	Power Supply Input Voltage	
3	VDDDB	Power Supply Input Voltage	
4	VDDDB	Power Supply Input Voltage	
5	VDDDB	Power Supply Input Voltage	
6	GND	Ground	
7	GND	Ground	
8	GND	Ground	
9	GND	Ground	
10	GND	Ground	
11	DET	BLU status detection:	1
12	VBLON	BLU On-Off control:	2,3
13	NC	NC	4
14	PDIM	External PWM	2, 5

Note1. DET status

DET	BLU status
0 ~ 0.8V	Normal
Open collector	Abnormal

Recommend pull high R > 10K ohm, pull high voltage VDD = 3.3V

Note2. input control signal threshold voltage definition

Item	Symbol	Min.	Typ.	Max.	Unit
Input High Threshold Voltage	VIH	2	-	5.5	V
Input Low Threshold Voltage	VIL	0	-	0.8	V

Note3. VBLON

Mode selection

WP	Note
H or OPEN	BL On
L	BL Off

Note4. Please leave this pin unoccupied. It can not be connected by any signal (Low/GND/High).

Note5. PDIM

PWM Dimming range:



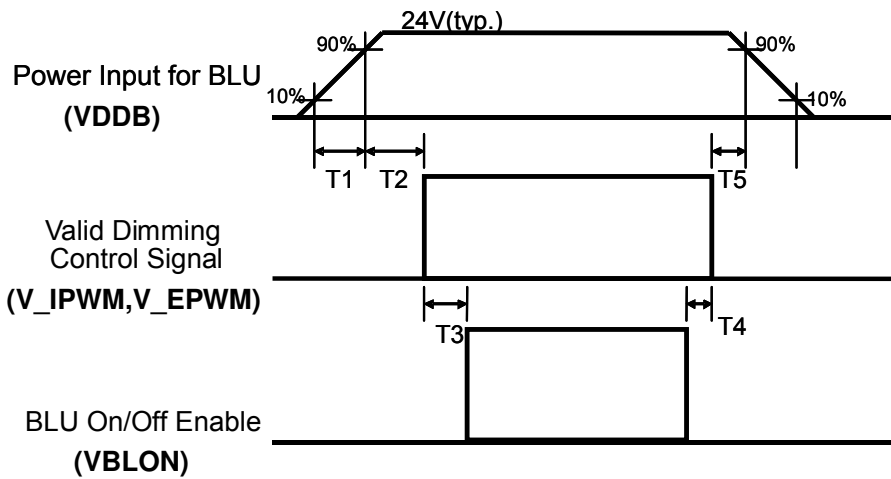
Performance guaranteed dimming range: 0%, 5~100%

IF External PWM function less than 5% dimming ratio, Judge condition as below:

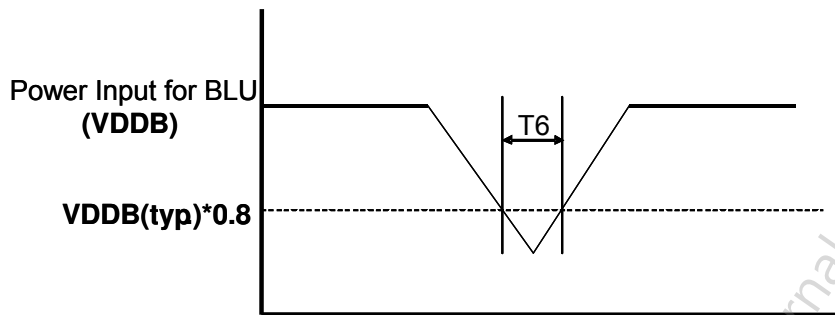
- (1) Backlight module must be lighted ON normally.
- (2) All protection function must work normally.
- (3) Uniformity and flicker could not be guaranteed

AUO Confidential For FORTEC Internal Use Only On 2015/09/08

5.3 Power Sequence for Backlight



Dip condition



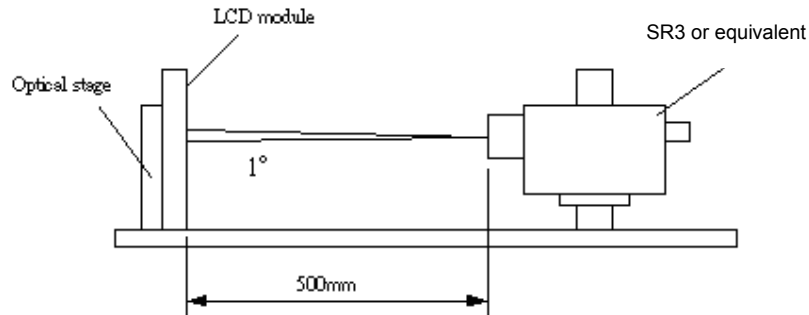
Parameter	Value			Units
	Min	Typ	Max	
T1	20	-	-	ms
T2	250	-	-	ms
T3	200	-	-	ms
T4	0	-	-	ms
T5	0	-	-	ms
T6	-	-	1000	ms ⁻¹

Note: 1. T6 describes VDDB dip condition and VDDB couldn't lower than 10% VDDB

6. Optical Specification

Optical characteristics are determined after the unit has been 'ON' and stable for approximately 45 minutes in a dark environment at 25°C. The values specified are at an approximate distance 50cm from the LCD surface at a viewing angle of φ and θ equal to 0°.

Fig.1 presents additional information concerning the measurement equipment and method.



Parameter	Symbol	Values			Unit	Notes
		Min.	Typ.	Max		
Contrast Ratio	CR	3200	4000	--		1
Surface Luminance (White)	L_{WH}	560	700	--	cd/m ²	2
Luminance Variation	$\delta_{WHITE(9P)}$	--	--	1.33		3
Response Time (G to G)	T_{γ}	--	6.5	10	Ms	4
Color Gamut	NTSC	68	72		%	
Color Coordinates						
Red	R_x	Typ.-0.03	0.640	Typ.+0.03		
	R_y		0.330			
Green	G_x		0.300			
	G_y		0.620			
Blue	B_x		0.150			
	B_y		0.050			
White	W_x		0.280			
	W_y		0.290			
Viewing Angle						
x axis, right($\varphi=0^\circ$)	θ_r	--	89	--	degree	5
x axis, left($\varphi=180^\circ$)	θ_l	--	89	--	degree	
y axis, up($\varphi=90^\circ$)	θ_u	--	89	--	degree	
y axis, down ($\varphi=270^\circ$)	θ_d	--	89	--	degree	

Note:

1. Contrast Ratio (CR) is defined mathematically as:

$$\text{Contrast Ratio} = \frac{\text{Surface Luminance of } L_{on5}}{\text{Surface Luminance of } L_{off5}}$$

2. Surface luminance is luminance value at point 5 across the LCD surface 50cm from the surface with all pixels displaying white. For more information see FIG 2. LED current I_F = typical value (without driver board), LED input $V_{DDB} = 24V$, I_{DDB} = Typical value (with driver board), $L_{WH} = L_{on5}$ where L_{on5} is the luminance with all pixels displaying white at center 5 location.

3. The variation in surface luminance, δ_{WHITE} is defined (center of Screen) as:

$$\delta_{WHITE(9P)} = \text{Maximum}(L_{on1}, L_{on2}, \dots, L_{on9}) / \text{Minimum}(L_{on1}, L_{on2}, \dots, L_{on9})$$

4. Response time T_γ is the average time required for display transition by switching the input signal for five luminance ratio (0%,25%,50%,75%,100% brightness matrix) and is based on $F_v = 60Hz$ to optimize.

Measured Response Time		Target				
		0%	25%	50%	75%	100%
Start	0%		0% to 25%	0% to 50%	0% to 75%	0% to 100%
	25%	25% to 0%		25% to 50%	25% to 75%	25% to 100%
	50%	50% to 0%	50% to 25%		50% to 75%	50% to 100%
	75%	75% to 0%	75% to 25%	75% to 50%		75% to 100%
	100%	100% to 0%	100% to 25%	100% to 50%	100% to 75%	

T_γ is determined by 10% to 90% brightness difference of rising or falling period. (As illustrated)

The response time is defined as the following figure and shall be measured by switching the input signal for “any level of gray(bright)” and “any level of gray(dark)”.

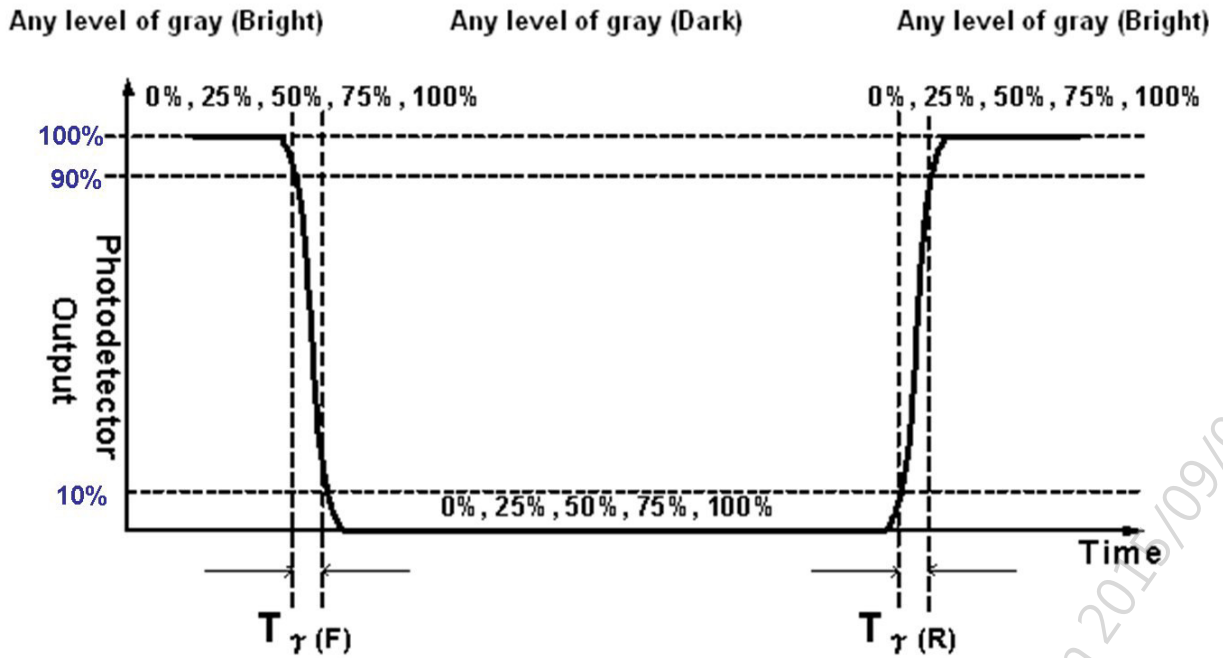
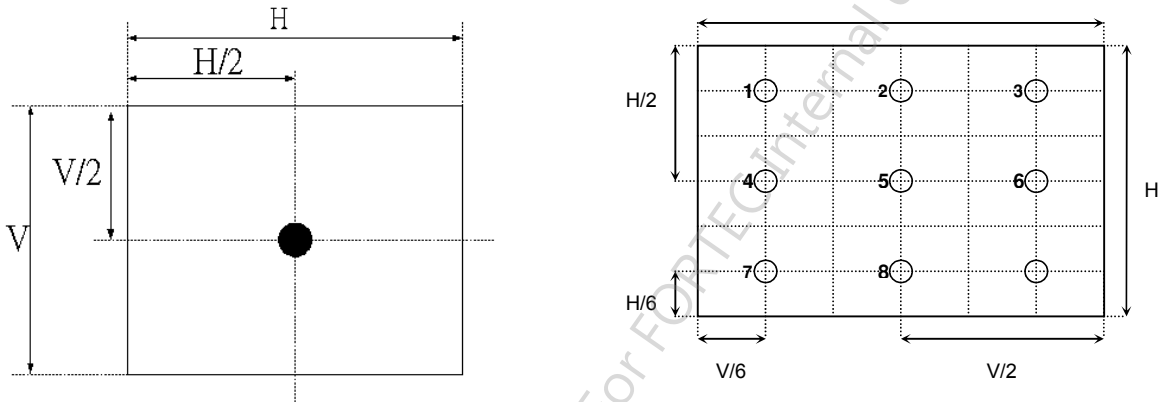
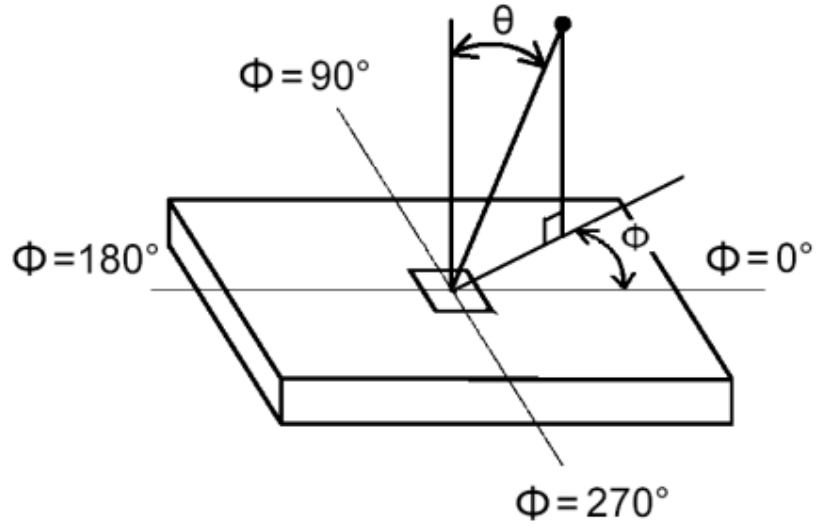


FIG. 2 Luminance



- Viewing angle is the angle at which the contrast ratio is greater than 10. The angles are determined for the horizontal or x axis and the vertical or y axis with respect to the z axis which is normal to the LCD surface. For more information see FIG3.

FIG.3 Viewing Angle



AUO Confidential For FORTEC Internal Use Only On 2015/09/08

7. Mechanical Characteristics

The contents provide general mechanical characteristics for the model P550HVN03.2 In addition the figures in the next page are detailed mechanical drawing of the LCD.

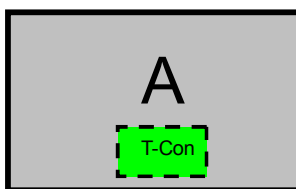
Outline Dimension	Horizontal (typ.)	1235.6 mm
	Vertical (typ.)	706.4 mm
	Depth (typ.)	25.5 mm
Bezel Opening Area	Horizontal (typ.)	1216 mm
	Vertical (typ.)	686.8 mm
Active Display Area	Horizontal	1209.6 mm
	Vertical	680.4 mm
Weight	Typ 15.0 kg	

7.1 Placement Suggestions

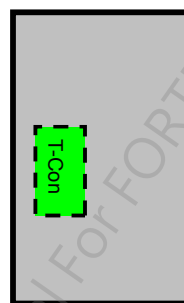
The Suggestion placement is as following:

1. Landscape Mode: The default placement is T-Con Side on the bottom side and the image is shown upright via viewing from the front.
2. Portrait Mode: The default placement is that T-Con side has to be placed on the left side via viewing from the front.

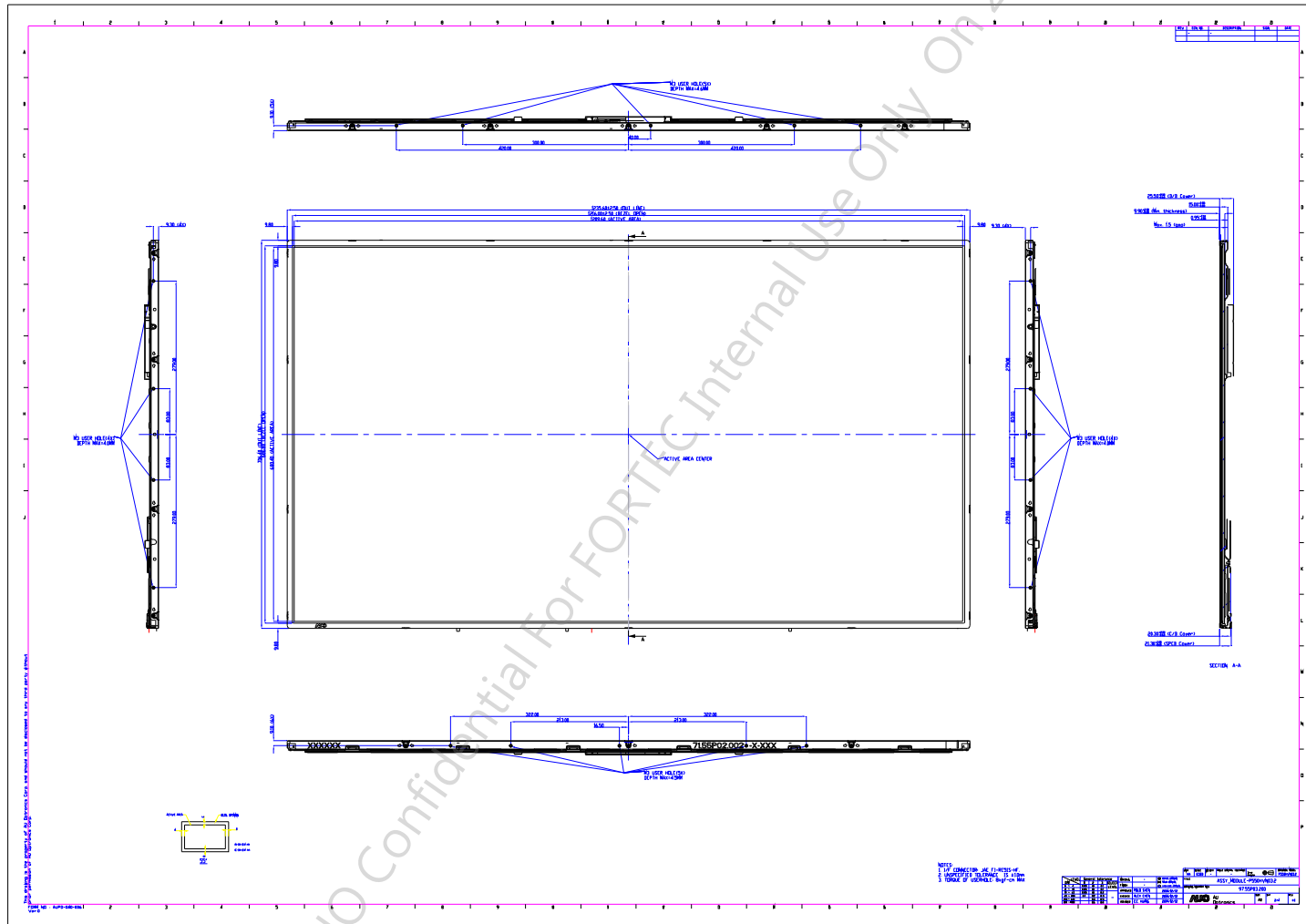
Landscape (Front view)



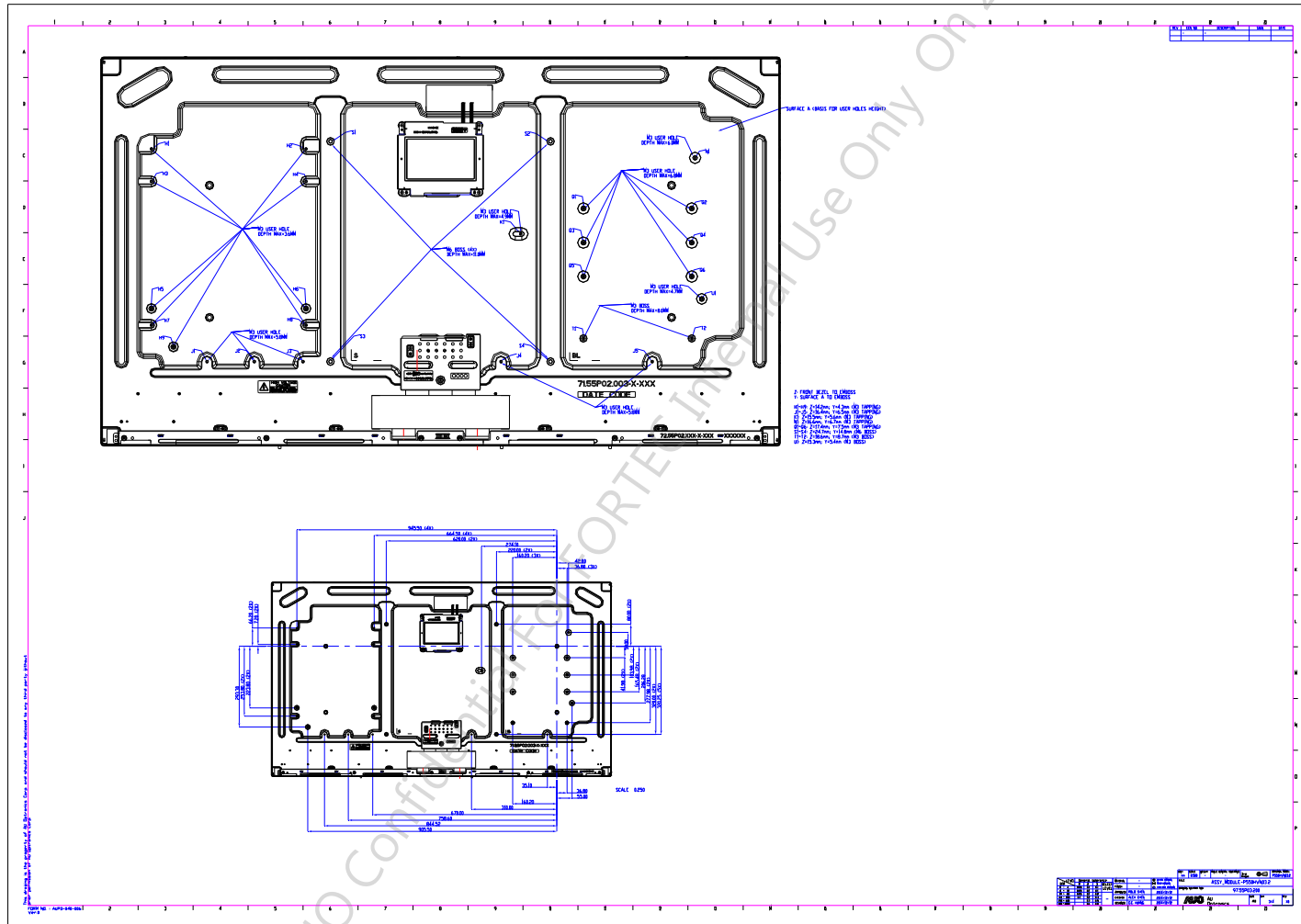
Portrait (Front view)



Front View



Back View



8. Reliability Test Items

	Test Item	Q'ty	Condition
1	High temperature storage test	3	60°C, 500hrs
2	Low temperature storage test	3	-20°C, 500hrs
3	High temperature operation test	3	50°C, 500hrs
4	Low temperature operation test	3	-5°C, 500hrs
5	Vibration test (non-operation)	3	Wave form: random Vibration level: 1.0G RMS Bandwidth: 10-300Hz, Duration: X, Y, Z 10min per axes X,Y,Z : Horizontal, face up
6	Shock test (non-operation)	3	Shock level: 30G Waveform: half sine wave, 11ms Direction: ±X, ±Y, ±Z, One time each direction
7	Vibration test (With carton)	1 (PKG)	Random wave (1.04G RMS, 2-200Hz) 20mins per each X,Y,Z axes
8	Drop test (With carton)	1 (PKG)	Surround four flats drop height:15 cm Bottom flat drop height:25.4 cm twice (ASTMD4169)

9. International Standard

Safety

- (1) UL 60950-1; Standard for Safety of Information Technology Equipment Including electrical Business Equipment.
- (2) IEC 60950-1; Standard for Safety of International Electrotechnical Commission
- (3) EN 60950-1; European Committee for Electrotechnical Standardization (CENELEC), EUROPEAN STANDARD for Safety of Information Technology Equipment Including Electrical Business Equipment.

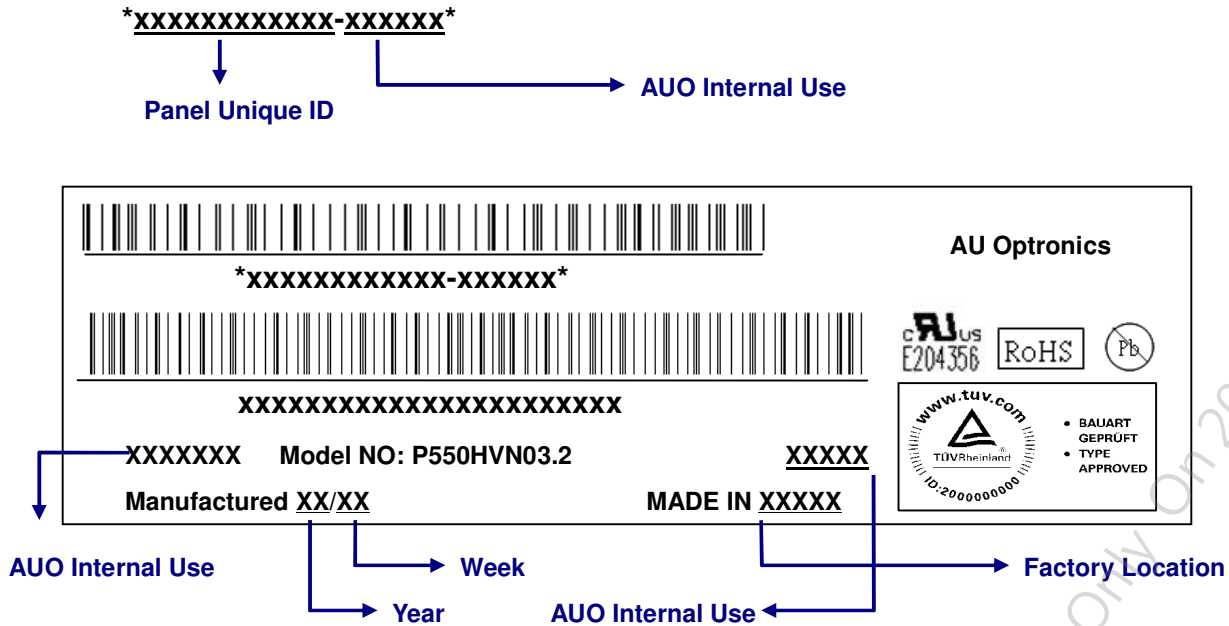
EMC

- (1) ANSI C63.4 "Methods of Measurement of Radio-Noise Emissions from Low-Voltage Electrical and Electrical Equipment in the Range of 9kHz to 40GHz." American National standards Institute(ANSI), 1992
- (2) C.I.S.P.R "Limits and Methods of Measurement of Radio Interface Characteristics of Information Technology Equipment." International Special committee on Radio Interference.
- (3) EN 55022 "Limits and Methods of Measurement of Radio Interface Characteristics of Information Technology Equipment." European Committee for Electrotechnical Standardization. (CENELEC), 1998

10. Packing

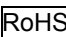
10-1 DEFINITION OF LABEL:

A. Panel Label:



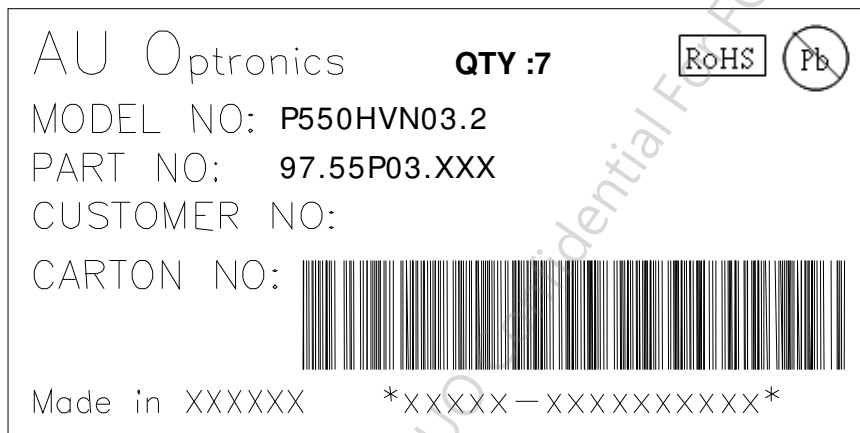
Green mark description

(1) For Pb Free Product, AUO will add  for identification.

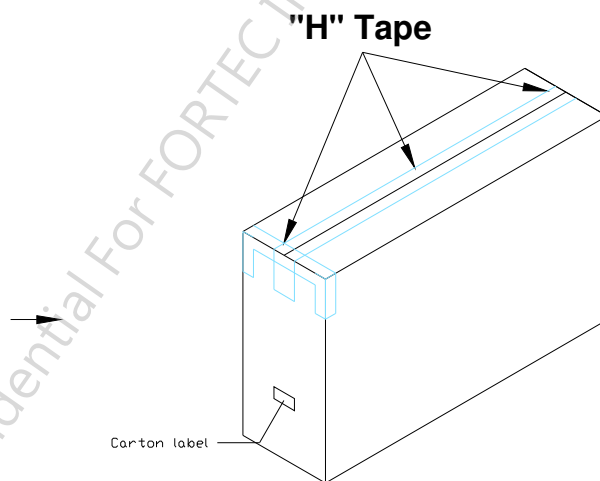
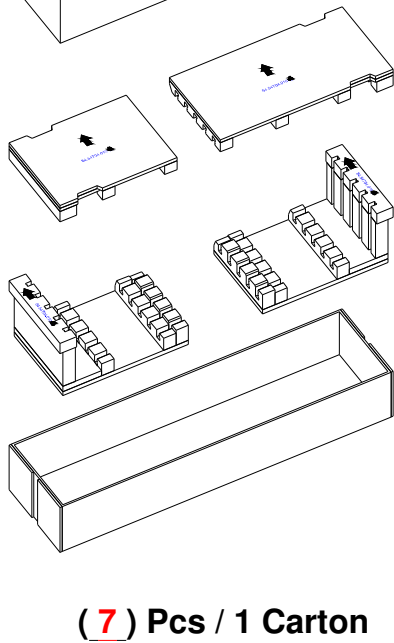
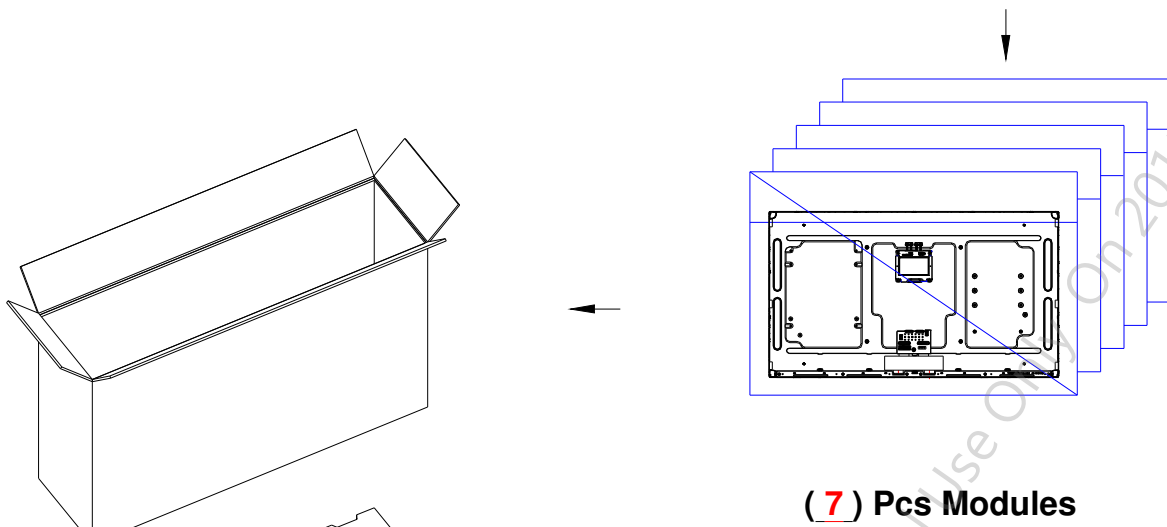
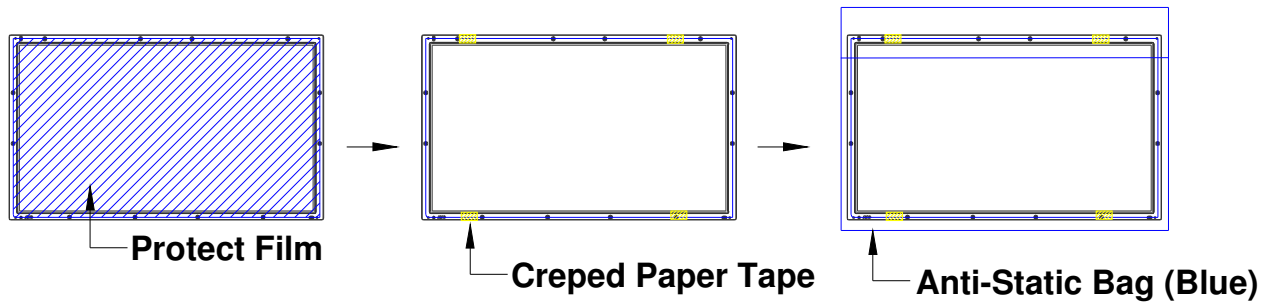
(2) For RoHs compatible products, AUO will add  for identification.

Note: The green Mark will be present only when the green documents have been ready by AUO internal green team. (definition of green design follows the AUO green design checklist.)

B. Carton Label:

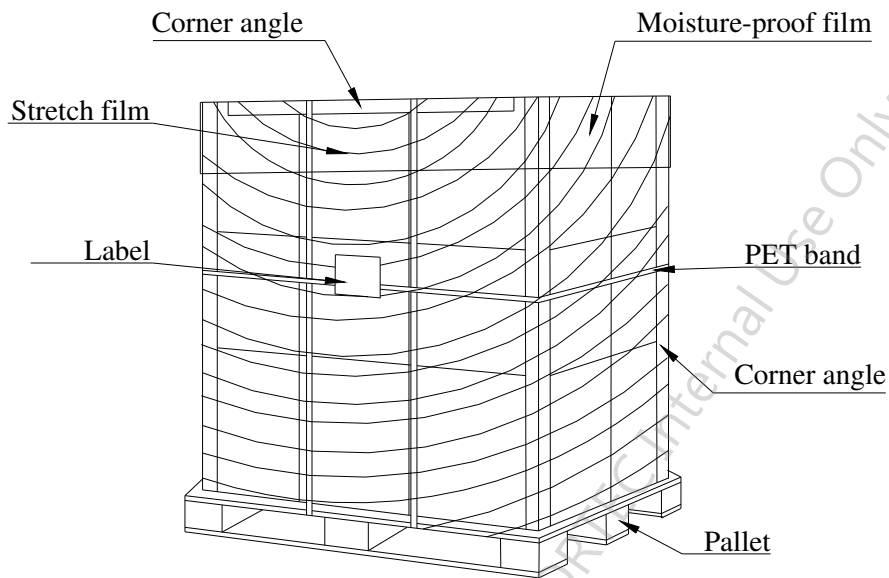


10-2 PACKING METHODS:



10-3 Pallet and Shipment Information

	Item	Specification			Packing Remark
		Qty.	Dimension	Weight (kg)	
1	Packing Box	7pcs/box	1305(L)*383(W)*800(H)	100	PACKING:6.5kg
2	Pallet	1	1390(L)*1150(W)*138(H)	20	
3	Boxes per Pallet	3 boxes/Pallet (By Air) ; 3 Boxes/Pallet (By Sea)			
4	Panels per Pallet	21 pcs/pallet(By Air) ; 42 pcs/Pallet (By Sea)			
5	Pallet after packing	21 (by Air)	1315(L)mm*1150(W)mm*938(H)mm	320(by Air)	
		42(by Sea)	1660(L)mm*1150(W)mm*1876(H)mm	640(by Sea)	



11. Precautions

11.1 Mounting Precautions

- (1) You must mount a module using holes arranged in four corners or four sides.
- (2) You should consider the mounting structure so that uneven force (ex. twisted stress) is not applied to module. And the case on which a module is mounted should have sufficient strength so that external force is not transmitted directly to the module.
- (3) Please attach the surface transparent protective plate to the surface in order to protect the polarizer. Transparent protective plate should have sufficient strength in order to resist external force.
- (4) You should adopt radiation structure to satisfy the temperature specification.
- (5) Acetic acid type and chlorine type materials for the cover case are not desirable because the former generates corrosive gas of attacking the polarizer at high temperature and the latter cause circuit broken by electro-chemical reaction.
- (6) Do not touch, push or rub the exposed polarizer with glass, tweezers or anything harder than HB pencil lead. And please do not rub with dust clothes with chemical treatment. Do not touch the surface of polarizer for bare hand or greasy cloth. (Some cosmetics are detrimental to the polarizer.)
- (7) When the surface becomes dusty, please wipe gently with absorbent cotton or other soft materials like chamois soaks with petroleum benzene. Normal-hexane is recommended for cleaning the adhesives used to attach front/ rear polarizer. Do not use acetone, toluene and alcohol because they cause chemical damage to the polarizer.
- (8) Wipe off saliva or water drops as soon as possible. Their long time contact with polarizer causes deformations and color fading.
- (9) Do not open the case because inside circuits do not have sufficient strength.

11.2 Operating Precautions

- (1) The spike noise causes the mis-operation of circuits. It should be lower than following voltage:
 $V = \pm 200\text{mV}$ (Over and under shoot voltage)
- (2) Response time depends on the temperature. (In lower temperature, it becomes longer..)
- (3) Brightness depends on the temperature. (In lower temperature, it may become lower.) And in lower temperature, response time (required time that brightness is stable after turned on) becomes longer.
- (4) Be careful for condensation at sudden temperature change. Condensation makes damage to polarizer or electrical contacted parts. And after fading condensation, smear or spot will occur.
- (5) When fixed patterns are displayed for a long time, remnant image is likely to occur.
- (6) Module has high frequency circuits. Sufficient suppression to the electromagnetic interference shall be done by system manufacturers. Grounding and shielding methods may be important to minimize the interface.

11.3 Operating Condition for Public Information Display

The device listed in the product specification is designed and manufactured for PID (Public Information Display) application. To optimize module's lifetime and function, below operating usages are required.

- (1) Normal operating condition
 - A. Operating temperature: 5~40°C
 - B. Operating humidity: 10~90%
 - C. Display pattern: dynamic pattern (Real display).
Note) Long-term static display would cause image sticking.
- (2) Operation usage to protect against abnormal display due to long-term static display.
 - A. Suitable operating time: under 20 hours a day.
 - B. Liquid Crystal refresh time is required. Cycling display between 5 minutes' information (static) display and 10 seconds' moving image.
 - C. Periodically change background and character (image) color.
 - D. Avoid combination of background and character with large different luminance.
- (3) Periodically adopt one of the following actions after long time display.
 - A. Running the screen saver (motion picture or black pattern)
 - B. Power off the system for a while
- (4) LCD system is required to place in well-ventilated environment. Adapting active cooling system is highly recommended.
- (5) Product reliability and functions are only guaranteed when the product is used under right operation usages. If product will be used in extreme conditions, such as high temperature/humidity, display stationary patterns, or long operation time etc..., it is strongly recommended to contact AUO for filed application engineering advice. Otherwise, its reliability and function may not be guaranteed. Extreme conditions are commonly found at airports, transit stations, banks, stock market and controlling systems.

11.4 Electrostatic Discharge Control

Since a module is composed of electronic circuits, it is not strong to electrostatic discharge. Make certain that treatment persons are connected to ground through wristband etc. And don't touch interface pin directly.

11.5 Precautions for Strong Light Exposure

Strong light exposure causes degradation of polarizer and color filter.

11.6 Storage

When storing modules as spares for a long time, the following precautions are necessary.

- (1) Store them in a dark place. Do not expose the module to sunlight or fluorescent light. Keep the temperature between 5°C and 35°C at normal humidity.
- (2) The polarizer surface should not come in contact with any other object. It is recommended that they

be stored in the container in which they were shipped.

- (3) Storage condition is guaranteed under packing conditions.
- (4) The phase transition of Liquid Crystal in the condition of the low or high storage temperature will be recovered when the LCD module returns to the normal condition.

11.7 Handling Precautions for Protection Film

- (1) The protection film is attached to the bezel with a small masking tape. When the protection film is peeled off, static electricity is generated between the film and polarizer. This should be peeled off slowly and carefully by people who are electrically grounded and with well ion-blown equipment or in such a condition, etc.
- (2) When the module with protection film attached is stored for a long time, sometimes there remains a very small amount of glue still on the bezel after the protection film is peeled off.
- (3) You can remove the glue easily. When the glue remains on the bezel or its vestige is recognized, please wipe them off with absorbent cotton waste or other soft material like chamois soaked with normal-hexane.

AUO Confidential For FORTEC Internal Use Only On 2015/09/08

FORTEC

ELEKTRONIK AG

Our company network supports you worldwide with offices in Germany, Austria, Switzerland, Great Britain and the USA. For more information please contact:

FORTEC Elektronik AG

Hauptniederlassung
Lechwiesenstr. 9
86899 Landsberg am Lech

Telefon: +49 (0) 8191 91172-0
Telefax: +49 (0) 8191 21770
E-Mail: sales@fortecag.de
Internet: www.fortecag.de

FORTEC Elektronik AG

Büro West
Hohenstaufenring 55
50674 Köln

Telefon: +49 (0) 221 272 273-0
Telefax: +49 (0) 221 272 273-10
E-Mail: west@fortecag.de
Internet: www.fortecag.de

FORTEC Elektronik AG

Büro Wien
Nuschinggasse 12
A-1230 Wien

Telefon: +43 1 8673492-0
Telefax: +43 1 8673492-26
E-Mail: office@fortec.at
Internet: www.fortec.at

ALTRAC AG

(Tochter der Fortec AG):
Bahnhofstraße 3
CH-5436 Würenlos

Telefon: +41 (0) 44 7446111
Telefax: +41 (0) 44 7446161
E-Mail: info@altrac.ch
Internet: www.altrac.ch

Members of the FORTEC Group:

